

22 mm IP68 FIELD TERMINATION KIT

SPECIFICATIONS

For complete specifications and processing guidelines see www.samtec.com?ACPK-22

Terminal Material:

Brass

Contact Material:

Brass/BeCu

Operating Temp Range:

-10 °C to +105 °C

Housing:

-P: Thermoplastic

-M: Zinc Alloy

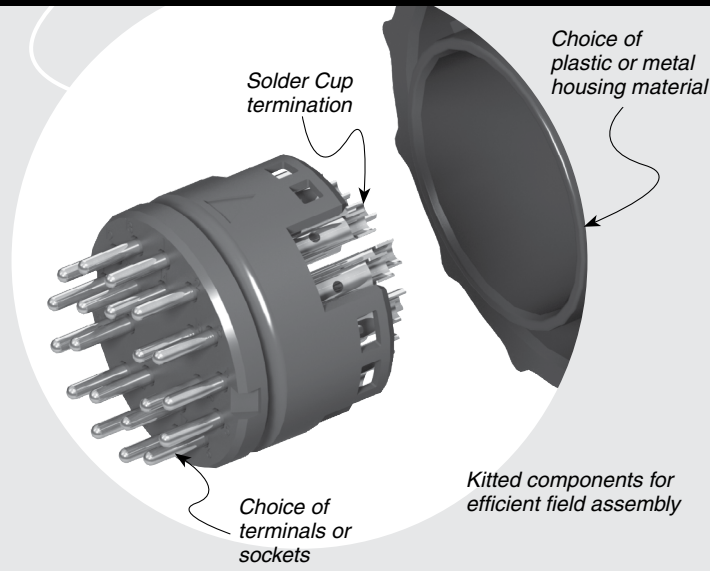
RoHS Compliant:

Yes

Mates with:
ACR-22, ACRK-22

CURRENT RATING		
LEAD STYLE	PINS POWERED	CCC per PIN
-01	30	2.0 A
-02	20	2.3 A
-03	8	8.3 A

For general reference only. See www.samtec.com?ACPK-22 for complete test data or contact AccliMate@samtec.com for applications requiring higher current carrying capacity.



DUST CAP

- DCA-ACP-22-M-X (Metal)
- DCA-ACP-22-P-X (Plastic)



- Visit sealedio.samtec.com for a complete list of sealed systems

NOTE

For complete specifications and processing guidelines see www.samtec.com?ACPK-22

Note:
Some lengths, styles and options are non-standard, non-returnable.

ACPK	22	LEAD STYLE	PLATING	GENDER	HOUSING MATERIAL	KEYING OPTIONS
		<p>-01 = 1.0 mm DIA (30) (20-24 AWG)</p> <p>-02 = 1.0 mm DIA (20) (20-24 AWG)</p> <p>-03 = 1.5 mm DIA (8) (14-18 AWG)</p>	<p>-G = 10 μ" (0.25 μm) Gold over 50 μ" (1.27 μm) Ni on contact</p>	<p>-T = Terminal</p> <p>-S = Socket</p>	<p>-P = Plastic</p> <p>-M = Metal</p>	<p>-1 = Orange, 45°</p>

X-ON Electronics

Largest Supplier of Electrical and Electronic Components

Click to view similar products for [Standard Circular Connector](#) category:

Click to view products by [Samtec](#) manufacturer:

Other Similar products are found below :

[5M2530B10P](#) [600259N006](#) [600273N007](#) [6134-336-13149](#) [6134-337-11149](#) [6134-337-2390](#) [6134-341-17149](#) [6280-4SG-516](#) [6280-7SG-3DC](#)
[6290](#) [6291A](#) [66200A-10](#) [680-SMG](#) [681-PMG](#) [CXS3102A14S2P](#) [CXS3102A181S](#) [7251-5SG-300](#) [7271-6SG-300](#) [7282-3PG-300-CH3](#) [75-](#)
[474618-01S](#) [75-474618-04P](#) [75-474618-04S](#) [799539-000](#) [MI8-SE](#) [805-005-07NF11-19PC](#) [805-005-07NF15-7PA](#) [8280-4PG-516](#) [8280-7PG-](#)
[519](#) [8282-5PG-519](#) [836783-1](#) [MP-4102-25P-C](#) [862256-1](#) [864019-2](#) [866857-1](#) [867865-1](#) [PT01SP-14-18P](#) [PT08P-14-5S](#) [PTSF06SE-14-12S](#)
[120-1833-000](#) [QCM019PC2DC012B](#) [1-2069279-1](#) [121583-0217](#) [121667-0020](#) [129591AU](#) [1000B BULK](#) [RD10A16-19-P6CS051/1](#)
[RD10A20-31-P8CS051/1](#) [RD16A14-12-S6CS051/2](#) [1301240290](#) [1301240347](#) [1301860202](#)