

ACPK-22-02-G-T-P-1

**ACPK-22 SERIES**

# 22 mm IP68 FIELD TERMINATION KIT

**SPECIFICATIONS**

For complete specifications and processing guidelines see [www.samtec.com?ACPK-22](http://www.samtec.com?ACPK-22)

**Terminal Material:**

Brass  
**Contact Material:**  
 Brass/BeCu

**Operating Temp Range:**  
 -10 °C to +105 °C

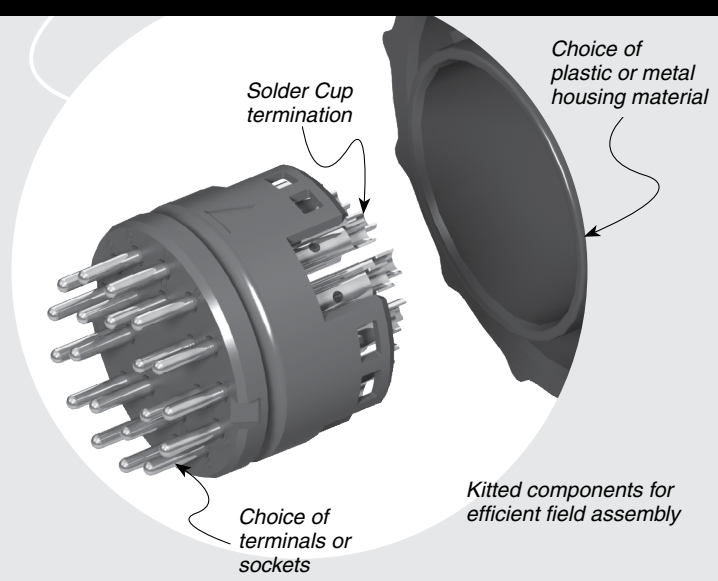
**Housing:**  
 -P: Thermoplastic  
 -M: Zinc Alloy

**RoHS Compliant:**  
 Yes

**Mates with:**  
 ACR-22, ACRK-22

CURRENT RATING		
LEAD STYLE	PINS POWERED	CCC per PIN
-01	30	2.0 A
-02	20	2.3 A
-03	8	8.3 A

For general reference only. See [www.samtec.com?ACPK-22](http://www.samtec.com?ACPK-22) for complete test data or contact [AccliMate@samtec.com](mailto:AccliMate@samtec.com) for applications requiring higher current carrying capacity.



**DUST CAP**

- DCA-ACP-22-M-X (Metal)
- DCA-ACP-22-P-X (Plastic)



- Visit [sealedio.samtec.com](http://sealedio.samtec.com) for a complete list of sealed systems

**NOTE**

For complete specifications and processing guidelines see [www.samtec.com?ACPK-22](http://www.samtec.com?ACPK-22)

**Note:**  
 Some lengths, styles and options are non-standard, non-returnable.

ACPK	22	LEAD STYLE	PLATING	GENDER	HOUSING MATERIAL	KEYING OPTIONS
		<p><b>-01</b>                      = 1.0 mm DIA (30)                      (20-24 AWG)</p> <p><b>-02</b>                      = 1.0 mm DIA (20)                      (20-24 AWG)</p> <p><b>-03</b>                      = 1.5 mm DIA (8)                      (14-18 AWG)</p>	<p><b>-G</b>                      = 10 μ" (0.25 μm)                      Gold over                      50 μ" (1.27 μm)                      Ni on contact</p>	<p><b>-T</b>                      = Terminal</p> <p><b>-S</b>                      = Socket</p>	<p><b>-P</b>                      = Plastic</p> <p><b>-M</b>                      = Metal</p>	<p><b>-1</b>                      = Orange, 45°</p>

## X-ON Electronics

Largest Supplier of Electrical and Electronic Components

*Click to view similar products for [Standard Circular Connector](#) category:*

*Click to view products by [Samtec](#) manufacturer:*

Other Similar products are found below :

[5M2530B10P](#) [600259N006](#) [600273N007](#) [6134-336-13149](#) [6134-337-11149](#) [6134-337-2390](#) [6134-341-17149](#) [6280-4SG-516](#) [6280-7SG-3DC](#)  
[6290](#) [6291A](#) [66200A-10](#) [680-SMG](#) [681-PMG](#) [CXS3102A14S2P](#) [CXS3102A181S](#) [7251-5SG-300](#) [7271-6SG-300](#) [7282-3PG-300-CH3](#) [75-](#)  
[474618-01S](#) [75-474618-04P](#) [75-474618-04S](#) [799539-000](#) [MI8-SE](#) [805-005-07NF11-19PC](#) [805-005-07NF15-7PA](#) [8280-4PG-516](#) [8280-7PG-](#)  
[519](#) [8282-5PG-519](#) [836783-1](#) [MP-4102-25P-C](#) [862256-1](#) [864019-2](#) [866857-1](#) [867865-1](#) [PT01SP-14-18P](#) [PT08P-14-5S](#) [PTSF06SE-14-12S](#)  
[120-1833-000](#) [QCM019PC2DC012B](#) [1-2069279-1](#) [121583-0217](#) [121667-0020](#) [129591AU](#) [1000B BULK](#) [RD10A16-19-P6CS051/1](#)  
[RD10A20-31-P8CS051/1](#) [RD16A14-12-S6CS051/2](#) [1301240290](#) [1301240347](#) [1301860202](#)