

ACCLIMATE™

FLEXIBLE SEALED CIRCULAR SYSTEMS



FEATURES & BENEFITS

- Metal or plastic, 12 mm, 16 mm and 22 mm shells
- Choice of pin configuration and gender
- Bayonet-style latching systems meet IP68 requirements
- Cost-effective crimp version available (samtec.com/crimp)
- Variety of end 2 options for panel-to-board applications
- Mini push-pull latching system meets IP67 requirements for dust and waterproof sealing



Kitted components for efficient field assembly



Dust caps available

ACX-12

MAX

5.0
A m p s

No. of Pins
2, 4, 5

ACX-16

MAX

11.6
A m p s

No. of Pins
2, 10, 14

ACX-22

MAX

8.3
A m p s

No. of Pins
8, 20, 30

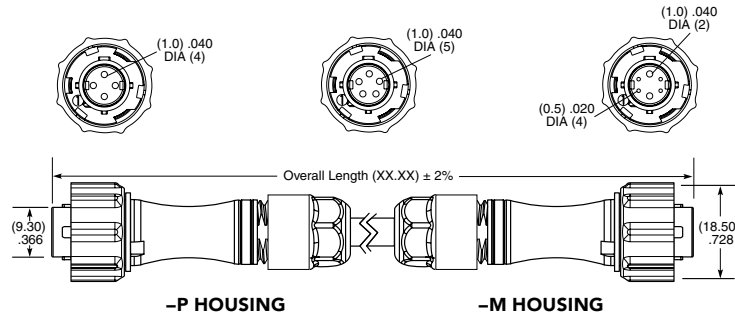
KEY SPECIFICATIONS

INSULATOR MATERIAL	TERMINAL MATERIAL	CONTACT MATERIAL	OPERATING TEMP RANGE	HOUSING
Thermoplastic	Brass	Brass/BeCu	-10 °C to +80 °C (ACX-12) -10 °C to +105 °C (ACX-16) -10 °C to +105 °C (ACX-22)	Thermoplastic (-P) Zinc Alloy (-M)

12 mm • IP68 SEALED CABLE ASSEMBLY

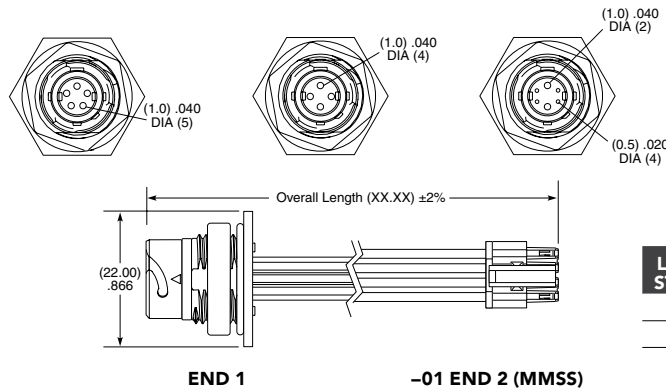
SERIES	12	LEAD STYLE	PLATING OPTION	LENGTH	END 1	END 2	HOUSING MATERIAL	KEYING OPTIONS
ACP Terminal		-01 = 1.0 mm DIA (4) terminals or sockets (24 AWG)	-G = 10 μ" (0.25 μm) Gold over 50 μ" (1.27 μm) Ni on contact	-"XX.XX" = Length in meters (00.25 m min. to 50.00 m max.) Standard lengths	-T = Terminal	-T = Terminal (ACP only)	-P = Plastic	-1 = Orange, 45°
ACR Socket		-02 = 1.0 mm DIA (5) terminals or sockets (24 AWG)			-S = Socket (N/A with End 2 -T)	-S = Socket (ACP only)	-M = Metal	
		-05 = 1.0 mm DIA (2) terminals or sockets (24 AWG) + 0.5 mm DIA (4) terminals or sockets (28 AWG)				-BC = Blunt Cut		
						-S1 = Connector determine by lead style. See chart for end 2 connector used. (ACR only)		

ACP-12
End 1/2 Mates:
ACP-12
ACR-12
ACRK-12

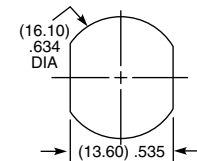


View complete specifications at: samtec.com?ACP-12

ACR-12
End 1 Mates:
ACP-12
ACPK-12
End 2 Mates:
IPL1



PANEL OPENING



LEAD STYLE	-S1 END 2	MATES WITH -S1
-01	MMSS (24 AWG)	IPL1
-02	MMSS (24 AWG)	
-05	MMSS (24 AWG (2x), 28 AWG (4x))	

View complete specifications at: samtec.com?ACR-12

CURRENT RATING		
LEAD STYLE	PINS POWERED	CCC per PIN
-01	4	3.8 A
-02	5	3.6 A
-05	2 (plus 4 signal pins powered @ 1.2 A)	5.0 A

KITS AVAILABLE
www.samtec.com?ACPK-12
www.samtec.com?ACRK-12

For general reference only. Contact AccliMate@samtec.com for applications requiring higher current carrying capacity.

Note:
Some lengths, styles and options are non-standard, non-returnable.

X-ON Electronics

Largest Supplier of Electrical and Electronic Components

Click to view similar products for [Specialised Cables](#) category:

Click to view products by [Samtec](#) manufacturer:

Other Similar products are found below :

[603PT6](#) [603SS6L](#) [604PT6](#) [604SS6](#) [706000D02F200](#) [910640](#) [1200740077](#) [1200740114](#) [AC172](#) [ACL-SSI-4](#) [R88ACAKA0015SRE](#)
[R88ACAWL005SDE](#) [R88ACRGD0R3C](#) [1300150047](#) [1300660036](#) [1302262116](#) [1300150149](#) [1300220020](#) [1300220104](#) [1300220119](#)
[1301240492](#) [1301810221](#) [1365323-1](#) [1613055](#) [176P12](#) [1971465-2](#) [20240400003](#) [20240400013](#) [2085828-1](#) [20886510030](#) [2-22733-8](#) [22733-](#)
[8](#) [CB-5PSBC-RS](#) [CB-704EC-RS](#) [CB-BATACC-RS](#) [CB-JST3PSW-RS](#) [CB-M12COM-R10](#) [25AC84](#) [25AK84X](#) [25AU25](#) [25FN82](#) [3011-03](#)
[AC118](#) [ACL-HHS-1M\(CAT5E\)](#) [SSL009PC2DC012N](#) [FC2A-KC6C](#) [2085828-2](#) [20886510150](#) [CCS-FCB-5](#) [CCSFCBF2](#)