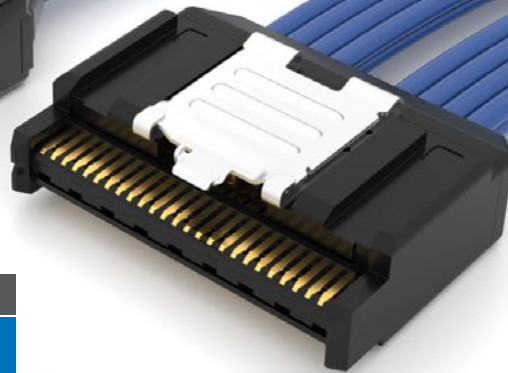


# ACCELERATE<sup>®</sup>

## SLIM, DIRECT ATTACH CABLE ASSEMBLIES

(0.635 mm) .025" PITCH



NRZ

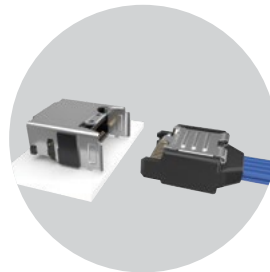
28  
G b p s

PAM4

56  
G b p s

### FEATURES & BENEFITS

- Slimmest cable assembly in the industry - 7.6 mm width
- High-density 2-row design
- 8, 16 and 24 differential pair configurations
- 34 AWG, 100  $\Omega$  Eye Speed<sup>®</sup> ultra low skew twinax cable
- Multiple wiring options including reverse polarity
- Mating board level socket (ARF6 Series) features standard rugged weld tabs for increased stability on the PCB
- Rugged metal latching and shielding
- Supports 56 Gbps PAM4 (28 Gbps NRZ) applications
- Utilizes Samtec's Flyover<sup>®</sup> Technology to simplify board layout and extend signal reach



Right-angle available.  
Visit [samtec.com?ARF6-RA](http://samtec.com?ARF6-RA)  
for specifications.



Two rows of high-density  
contacts directly  
soldered to the cable

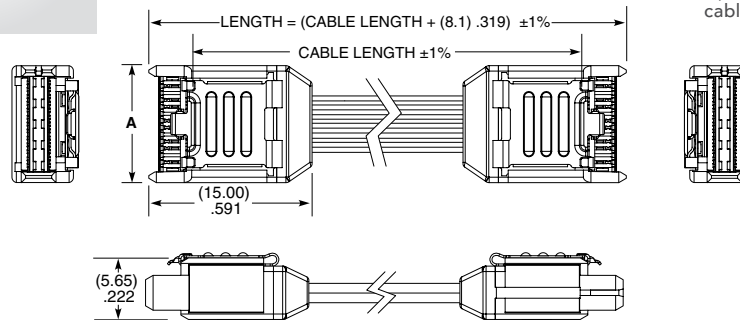
### KEY SPECIFICATIONS

PITCH	CABLE	SIGNAL ROUTING	INSULATOR MATERIAL	CONTACT MATERIAL	PLATING	OPERATING TEMP RANGE
(0.635 mm) .025"	34 AWG Eye Speed <sup>®</sup> ultra low skew twinax	100 $\Omega$ Differential	Black LCP	Copper Alloy	Au or Sn over 50 $\mu$ " (1.27 $\mu$ m) Ni	-40 °C to +125 °C

(0.635 mm) .025" • SLIM CABLE & SOCKET

ARC6	NO OF PAIRS	CABLE LENGTH	END 1	END 2	WIRING OPTION	CABLE TYPE
	-08 -16 -24	-“XX.X” = Length in Inches 03.0" (76.2 mm) minimum	-LU = Latch Up	-LU = Latch Up  -LD = Latch Down	-2 = Pin 1 to Pin 2 (End 2 -LD option only)  -3 = Pin 1 to Pin N-1 (End 2 -LU option only)  -2R = Pin 1 to Pin 2 Reversed Polarity (End 2 -LD option only) 0.60" (152.4 mm) min. cable length  -3R = Pin 1 to Pin N-1 Reversed Polarity (End 2 -LU option only) 0.60" (152.4 mm) min. cable length	-1 = 34 AWG 100 Ω Eye Speed®

**ARC6**  
Board Mates:  
ARF6



ARC6-08-XX.X-LU-LU-3-X SHOWN

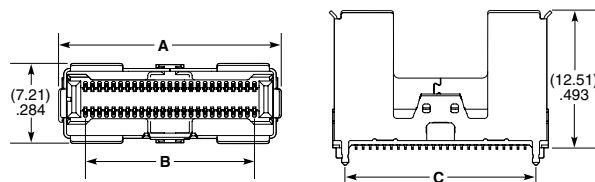
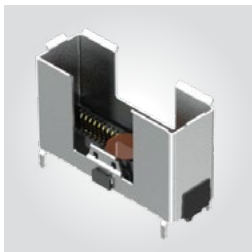
NO. OF PAIRS	A	N	N-1
-08	(10.90) .429	26	25
-16	(18.52) .729	50	49
-24	(26.14) 1.029	74	73

**Notes:**  
Cable lengths longer than 40.00" (1 meter) are not supported with S.I. test data.

View complete specifications at: [samtec.com?ARC6](http://samtec.com?ARC6)

ARF6	NO. OF PAIRS	PLATING	ROW	A	K	"X"R
	-08 -16 -24	-S = 30 μ" (0.76 μm) Gold on contact area, Matte Tin on tail	-D = Double Row	-A = Alignment Pin	-K = Polyimide film Pick & Place Pad	-TR = Tape & Reel  -FR = Full Reel Tape & Reel (must order maximum quantity per reel; contact Samtec for quantity breaks)

**ARC6**  
Cable Mates:  
ARC6



ARF6-16-L-D-A SHOWN

NO. OF PAIRS	A	B	C
-08	(12.46) .491	(7.62) .300	(9.59) .378
-16	(20.08) .791	(15.24) .600	(17.21) .678
-24	(27.70) 1.091	(22.86) .900	(24.83) .978

**Notes:**  
Tape & Reel packaging and K-Dot are standard.

Some sizes, styles and options are non-standard, non-returnable.

View complete specifications at: [samtec.com?ARF6](http://samtec.com?ARF6)

## X-ON Electronics

Largest Supplier of Electrical and Electronic Components

*Click to view similar products for [Rectangular Cable Assemblies](#) category:*

*Click to view products by [Samtec](#) manufacturer:*

Other Similar products are found below :

[MC320E-N-23](#) [A08KR08KR26E203B](#) [G125FC10668L0-0300L](#) [G125FC10668L0-0150L](#) [G125-FC11068L0-0150L](#) [G125-FC11068L0-0300L](#)  
[A06XAF06XAF22K254B](#) [A10XAF10XAF22K152B](#) [A13KR13KR26E254B](#) [A12SUR12SUR32W203A](#) [A16KR16KR26E203B](#)  
[A12KR12KR26E305A](#) [A12KR12KR26E305B](#) [A12ZR12ZR28H203B](#) [A12ZR12ZR28H203A](#) [A10SR10SR30K254A](#) [A09SR09SR30K305A](#)  
[A14KR14KR26E254A](#) [A14KR14KR26E254B](#) [A10ZR10ZR28H254A](#) [A09ZR09ZR28H305A](#) [A09ZR09ZR28H305B](#) [A13ZR13ZR28H203A](#)  
[A15KR15KR26E254A](#) [A13KR13KR26E305B](#) [A11ZR11ZR28H254A](#) [A11ZR11ZR28H254B](#) [A11SR11SR30K254A](#)  
[A12SUR12SUR32W254A](#) [A10ZR10ZR28H305A](#) [A14KR14KR26E305B](#) [A10ZR10ZR28H305B](#) [A12ZR12ZR28H254A](#)  
[A15KR15KR26E305A](#) [A15KR15KR26E305B](#) [A11SR11SR30K305A](#) [A11ZR11ZR28H305A](#) [A11ZR11ZR28H305B](#) [A13ZR13ZR28H254A](#)  
[A12SUR12SUR32W305A](#) [A12ZR12ZR28H305A](#) [A12ZR12ZR28H305B](#) [A20XAF20XAF22K51B](#) [A13ZR13ZR28H305A](#)  
[A20XAF20XAF22K102B](#) [A20XAF20XAF22K152B](#) [A20XAF20XAF22K203B](#) [A20XAF20XAF22K254B](#) [A20XAF20XAF22K305B](#)  
[A16XSR16XSR36R254B](#)