

REVISION

A | TW | S MANGELS
 10/8/2014 | ECN-237594
 RELEASE FOR PRODUCTION

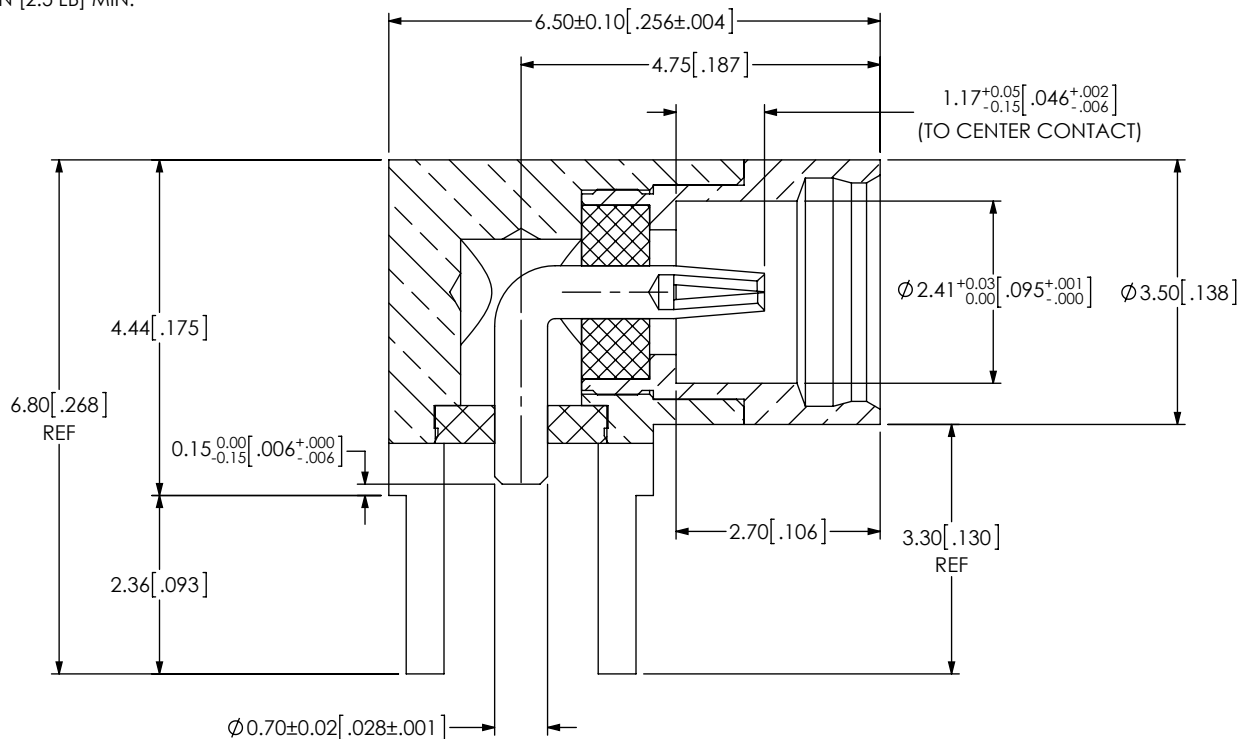
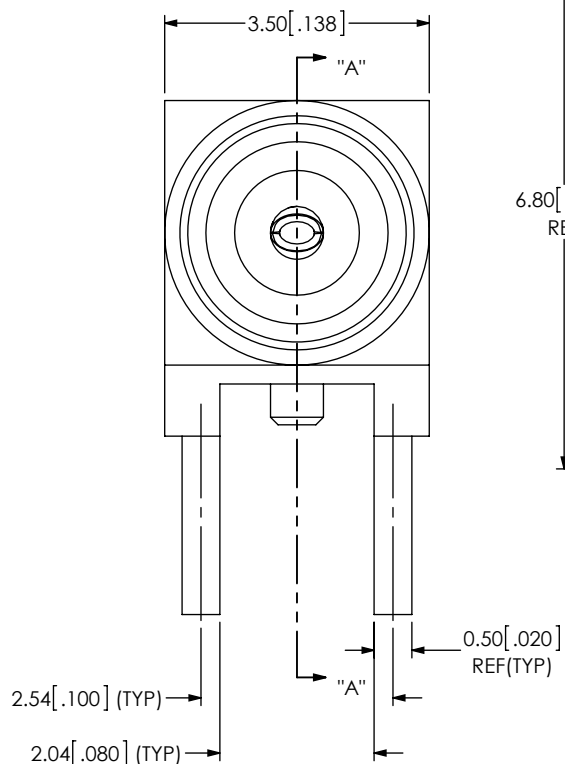
B | JS | S MANGELS
 10/16/2014 | ECN-238130
 ALL VIEWS: UPDATE VIEWS USING
 NEW MODELS; NOTES: CHG NOTE 2
 FROM "<HEX>" REPRESENTS A
 CRITICAL DIMENSION." TO "<CPC>
 REPRESENTS A CRITICAL
 DIMENSION."

NOTES:

1. MIXED TECHNOLOGY, SMT SIGNAL PIN & TH LEGS. NOT AVAILABLE AS STANDARD.
2. [C-X.XX] REPRESENTS A CRITICAL DIMENSION.
3. PUSHOUT FORCE FOR INSULATOR: 22.24 N [5 LB] MIN.
4. PUSHOUT FORCE FOR CENTER CONTACT: 11.12 N [2.5 LB] MIN.
5. RoHS COMPLIANT.
6. PARTS TO BE PACKAGED IN TRAYS.

THIS PRODUCT MANUFACTURED WITH LEAD-FREE PROCESSING

DESIGNED & DIMENSIONED IN MILLIMETERS [INCHES]

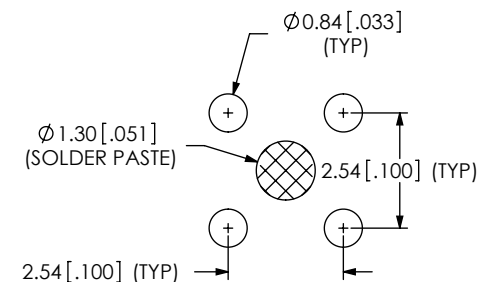


SECTION "A"- "A"
 SCALE TO: 1

SPECIFICATIONS:

ELECTRICAL RATINGS

IMPEDANCE	50 Ω
FREQUENCY RANGE	0 ~ 6 GHz
V.S.W.R.	1.5 MAX
DIELECTRIC VOLTAGE (HI-POT TEST)	500 V RMS MIN
WORKING VOLTAGE (AT SEA LEVEL)	170 V RMS MAX
CONTACT RESISTANCE:	
CENTER CONTACT	5 mΩ MAX
OUTER CONTACT	2.5 mΩ MAX
INSULATION RESISTANCE	1000 MΩ



RECOMMENDED PCB LAYOUT

BY SIGNING THIS DOCUMENT YOU ARE ACCEPTING THE CONDITIONS SET WITHIN. YOUR REQUIREMENTS MUST BE LISTED WITHIN THIS DRAWING. WHERE NO DIRECTION FROM THE CUSTOMER IS IDENTIFIED SAMTEC'S PROCESS REQUIREMENTS WILL BE USED.

DATE: _____
 COMPANY: _____
 CUSTOMER SIGNATURE: _____
 PRINTED NAME: _____
 PHONE NO.: _____
 EXCEPTIONS: _____

UNLESS OTHERWISE SPECIFIED, DIMENSIONS ARE IN MILLIMETERS [INCHES]. TOLERANCES ARE:
 DECIMALS ANGLES
 .X: ±0.3 [.01] 2°
 .XX: ±0.13 [.005]
 .XXX: ±0.051 [.0020]

PROPRIETARY NOTE

THIS DOCUMENT CONTAINS INFORMATION CONFIDENTIAL AND PROPRIETARY TO SAMTEC, INC. AND SHALL NOT BE REPRODUCED OR TRANSFERRED TO OTHER DOCUMENTS OR DISCLOSED TO OTHERS OR USED FOR ANY PURPOSE OTHER THAN THAT WHICH IT WAS OBTAINED WITHOUT THE EXPRESSED WRITTEN CONSENT OF SAMTEC, INC.

MATERIAL: SHELL: BRASS C36048
 PIN: BeCu C17300
 INSULATOR: PTFE

PLATING: CENTER CONTACT: 10µ" GOLD
 OUTER CONTACT: 3µ" GOLD
 F:\dmg\sw\asp\158000\ASP-158458-06_SLDDRW

DO NOT SCALE DRAWING

SHEET SCALE: 6:1

DESCRIPTION: MMCX RIGHT ANGLE, JACK- 50 OHM

DWG. NO. **ASP-158458-06**

BY: WHELAN 10/08/2014 SHEET 1 OF 1

ITEM NO.	PART NUMBER	QUANTITY
1	ASP-158458-06	1.0000

X-ON Electronics

Largest Supplier of Electrical and Electronic Components

Click to view similar products for [RF Connectors](#) / [Coaxial Connectors](#) category:

Click to view products by [Samtec](#) manufacturer:

Other Similar products are found below :

[89674-0827](#) [6059674-1](#) [630059-000](#) [6501-1071-002](#) [6769](#) [7002-1541-010](#) [7002-1572-002](#) [7004-1512-000](#) [7009-1511-004](#) [7101-1541-010](#)
[7101-1571-002](#) [7105-1521-002](#) [7203-1571-003](#) [7209-1511-011](#) [7210-1511-040](#) [7242-1511-000](#) [7405-1521-005](#) [7405-1521-802](#)
[804S01D04M040](#) [8527](#) [8547](#) [FS11V](#) [877931](#) [8808-1511-001](#) [9049-9513-000](#) [9074-9513-000](#) [PL11C-026](#) [PL40-36](#) [9408-1113-000](#) [980-](#)
[8666-005](#) [11 SMA-50-2-6 / 111 NE](#) [11 SMA-50-3-6 / 111 NE](#) [1-201144-1](#) [120919](#) [R107003010W](#) [R112186000](#) [R113053000W](#) [R113082097](#)
[R113236000](#) [R114083000](#) [R114670000W](#) [R123415000W](#) [R124076320](#) [R124076450](#) [R124175123](#) [R125075000W](#) [R125075001](#)
[R125172000W](#) [R125415030](#) [R141007161](#)