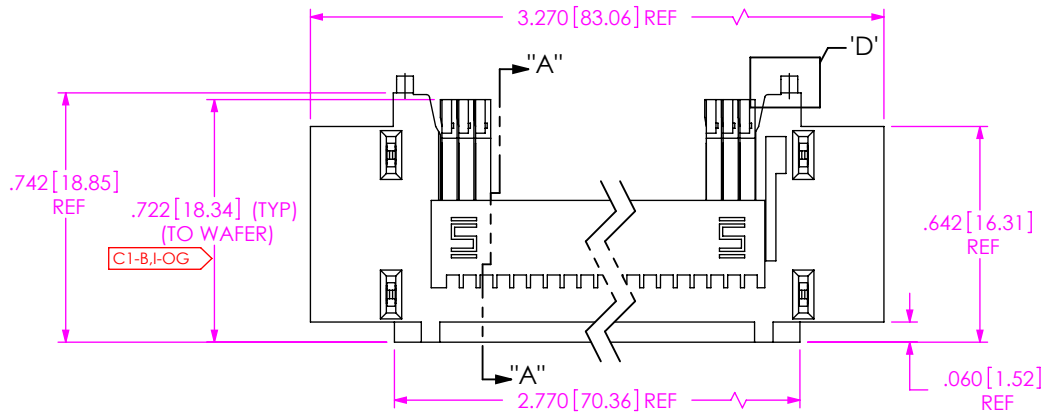


# REVISION

A	TW	T WILD
5/29/2015	ECN-251890	RELEASE FOR PRODUCTION
B	JB	Z Barnett
6/4/2015	ECN-252223	MOVE DETAILS 'C' & 'D' TO SHT 2; FRONT VIEW; ADD CPC4 .0500 (TYP); SHT 2, SECTION "A": "A"; ADD CPC8; DETAIL 'B'; ADD CPC18; ADD DETAIL 'E'; UPDATE CPC TABLE.
C	EL	J FREEMAN
5/30/2018	ECN-328887	BOMITEM2: CHG NR-SUB-IMC-242-01-08-L-2 TO NR-SUB-IMC-242-01-08-S-2; TITEL BLOCK: CHG PLATING FROM "CONTACT AREA: .00010 MN GOLD ..." TO "CONTACT AREA: .000030 MN GOLD ..."

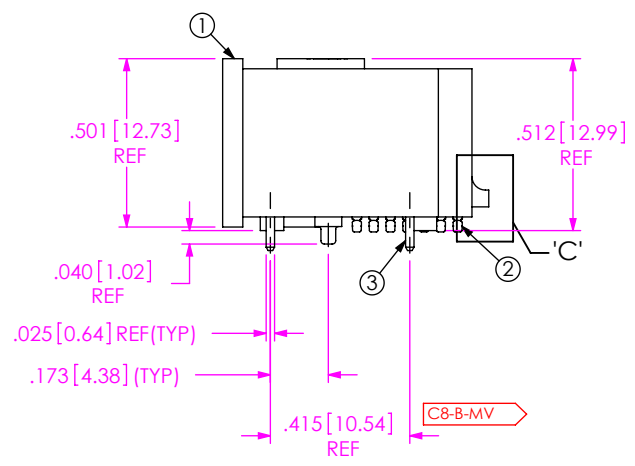
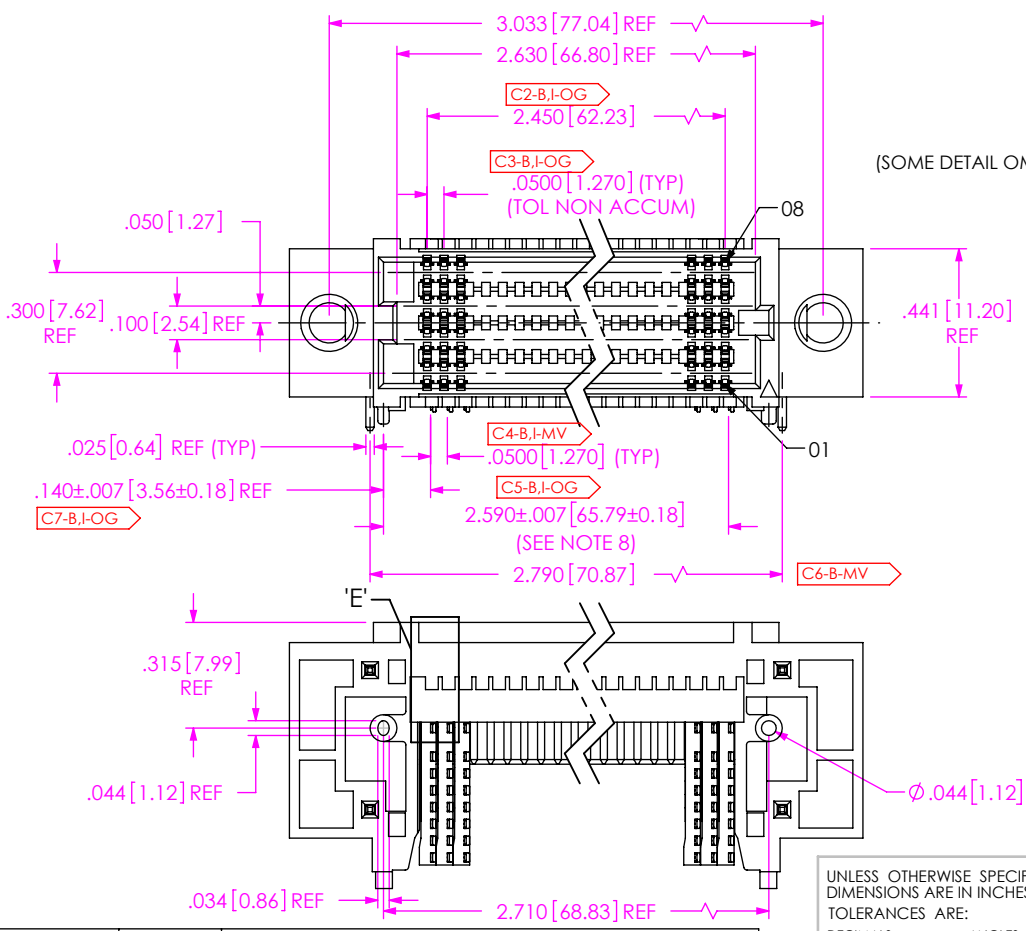
DO NOT UPDATE OR ADD REVISION WITHOUT APPROVAL THROUGH THE STANDARDS GROUP



- NOTES:
1. STANDARD PART SETUP FOR VITA 74/NANO-ATR STANDARD.
  2. [Cx-xxx] REPRESENTS A CRITICAL DIMENSION.
  3. MINIMUM PUSH-OUT FORCE: .50 LBS[2.2N].
  4. INSPECT DIMENSION AT 4 CORNERS OF PART.
  5. FEATURE REQUIRED FOR VISION INSPECTION.
  6. ATTACH LABEL "SEAX-0001" TO EACH TAPE & REEL PACKAGE.
  7. PARTS TO BE PACKAGED IN TAPE & REEL.
  8. CHECK DIMENSION ON FIRST AND LAST ROW OF TAILS.
  9. A 20~30°C TEMPERATURE DIFFERENCE MAY EXIST BETWEEN THIS HIGH-DENSITY COMPONENT AND THE BOARD SURFACE DURING REFLOW. SAMTEC RECOMMENDS A THERMAL STUDY BE PERFORMED TO UNDERSTAND THE TEMPERATURE GRADIENTS YOU MAY EXPERIENCE.

BY SIGNING THIS DOCUMENT YOU ARE ACCEPTING THE CONDITIONS SET WITHIN. YOUR REQUIREMENTS MUST BE LISTED WITHIN THIS DRAWING. WHERE NO DIRECTION FROM THE CUSTOMER IS IDENTIFIED SAMTEC'S PROCESS REQUIREMENTS WILL BE USED.

DATE: \_\_\_\_\_  
 COMPANY: \_\_\_\_\_  
 CUSTOMER SIGNATURE: \_\_\_\_\_  
 PRINTED NAME: \_\_\_\_\_  
 PHONE NO.: \_\_\_\_\_  
 EXCEPTIONS: \_\_\_\_\_



**C**

UNLESS OTHERWISE SPECIFIED, DIMENSIONS ARE IN INCHES. TOLERANCES ARE:  
 DECIMALS ANGLES  
 .XX: ±.01 [.3] 2°  
 .XXX: ±.005 [.13]  
 .XXXX: ±.0020 [.051]

**PROPRIETARY NOTE**  
 THIS DOCUMENT CONTAINS CONFIDENTIAL AND PROPRIETARY INFORMATION AND ALL DESIGN, MANUFACTURING, REPRODUCTION, USE, PATENT RIGHTS AND SALES RIGHTS ARE EXPRESSLY RESERVED BY SAMTEC, INC. THIS DOCUMENT SHALL NOT BE DISCLOSED, IN WHOLE OR PART, TO ANY UNAUTHORIZED PERSON OR ENTITY NOR REPRODUCED, TRANSFERRED OR INCORPORATED IN ANY OTHER PROJECT IN ANY MANNER WITHOUT THE EXPRESS WRITTEN CONSENT OF SAMTEC, INC.



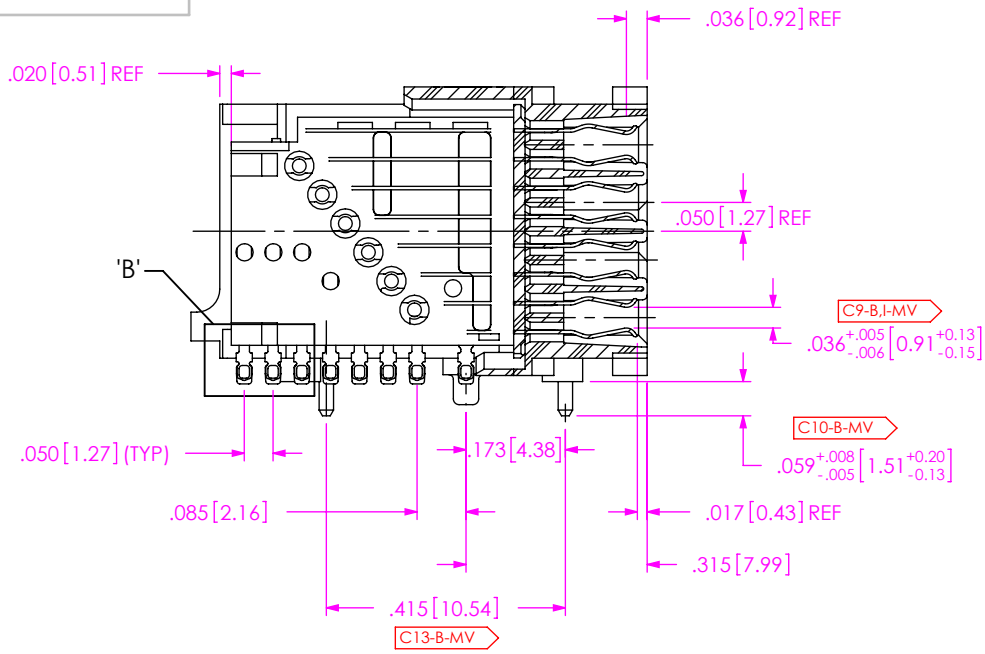
520 PARK EAST BLVD, NEW ALBANY, IN 47150  
 PHONE: 812-944-6733 FAX: 812-948-5047  
 e-Mail: info@SAMTEC.com code 53322

DO NOT SCALE DRAWING SHEET SCALE: 1:1  
 PLATING: CONTACTS: CONTACT AREA: .000030 MIN GOLD OVER .000050 MIN NICKEL  
 REMAINDER: .000200 REF TIN OVER .000050 MIN NICKEL  
 WELD TABS: ENTIRE CONTACT: .000150 TIN OVER .000050 NICKEL

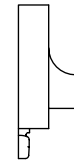
DESCRIPTION:	SEAF-RA
DWG. NO.	ASP-161074-02
BY: M SOLANO	2/21/2011 SHEET 1 OF 2

F:\DWG\SW\ASP\161000\ASP-161074-02.SLDDRW

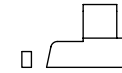
ITEM NO.	PART NUMBER	QUANTITY	MATERIAL
1	NR-SEAF-50-01-RA-08-GP	1.0000	VECTRA 473i, COLOR: BLACK
2	NR-SUB-IMC-242-01-08-S-2	50.000	CONTACT: CuNi ALLOY; WAFER: LCP - COLOR: BLACK
3	WT-28-02-T	4.0000	BRASS ALLOY 260, FULL HARD
4	TR-ASP	.00444	CONDUCTIVE POLYMER
5	SEAX-0001	.01000	LABEL



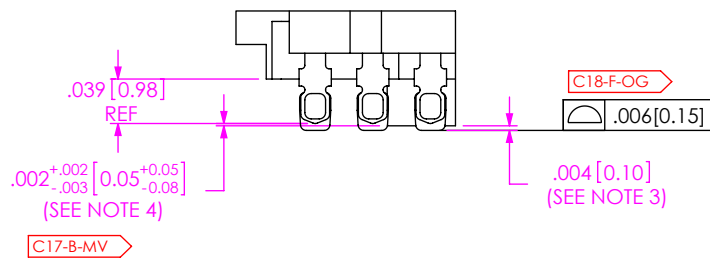
SECTION "A"-  
SCALE 3 : 1



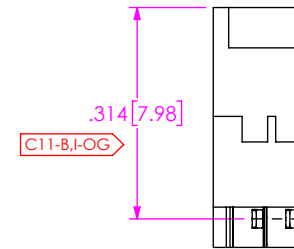
DETAIL 'C'  
SCALE 3.5 : 1  
(SEE NOTE 5)



DETAIL 'D'  
SCALE 3.5 : 1  
(SEE NOTE 5)



DETAIL 'B'  
SCALE 6 : 1



DETAIL 'E'  
SCALE 3.5 : 1

PROPRIETARY NOTE

THIS DOCUMENT CONTAINS CONFIDENTIAL AND PROPRIETARY INFORMATION AND ALL DESIGN, MANUFACTURING, REPRODUCTION, USE, PATENT RIGHTS AND SALES RIGHTS ARE EXPRESSLY RESERVED BY SAMTEC, INC. THIS DOCUMENT SHALL NOT BE DISCLOSED, IN WHOLE OR PART, TO ANY UNAUTHORIZED PERSON OR ENTITY NOR REPRODUCED, TRANSFERRED OR INCORPORATED IN ANY OTHER PROJECT IN ANY MANNER WITHOUT THE EXPRESS WRITTEN CONSENT OF SAMTEC, INC.



520 PARK EAST BLVD., NEW ALBANY, IN 47150  
PHONE: 812-944-6733 FAX: 812-948-5047  
e-Mail: info@SAMTEC.com code 55322

SHEET SCALE: 2:1

DESCRIPTION: SEAF-RA

DWG. NO. ASP-161074-02

BY: M SOLANO 2/21/2011 SHEET 2 OF 2

## X-ON Electronics

Largest Supplier of Electrical and Electronic Components

*Click to view similar products for [Board to Board & Mezzanine Connectors](#) category:*

*Click to view products by [Samtec](#) manufacturer:*

Other Similar products are found below :

[589158040000018](#) [FCN-230C068-11](#) [FCN-268F012-G/BD](#) [FCN-268F036-G/BD](#) [FCN-268M012-G/0D](#) [FCN-268M024-G/1D](#) [FCN-723J004/1](#) [MIS-048-01-F-D-DP-K](#) [832-10-034-10-001000](#) [FX4C-80S-1.27DSA](#) [FCN-214Q030-G/0](#) [FCN-234P048-G/0](#) [FCN-235D050-G/C](#) [210-93-314-41-105000](#) [2-22603-0](#) [MDF7-40DP-2.54DSA\(55\)](#) [AXG720047](#) [5031084030](#) [MIT-114-03-F-D-K](#) [55323-1519](#) [DF33-2P-3.3DSA\(24\)](#) [YFT-20-05-H-03-SB-K](#) [503308-3040](#) [026-6203-PDB](#) [027-6203-PDB](#) [069159702701000](#) [10123981-102LF](#) [101A10019X](#) [55650-0588-C](#) [68684-306](#) [75140-7012](#) [589159005003045](#) [194261-1](#) [FCN-268F024-G0D](#) [10124054-515LF](#) [68685-603](#) [8-1616154-3](#) [MIS-019-01-F-D](#) [589159005002045](#) [541371078](#) [IL-WX-10PB-HF-B-E1000E](#) [FCN-268M024-G/3D](#) [20021832-06016C1LF](#) [KX15-20KLDL-E1000E](#) [MDF7-16DP-2.54DSA\(55\)](#) [AXE810124](#) [FCN-214J100-G/0](#) [FCN-230C068-E/S](#) [AXE812124](#) [AXE816124](#)