

DO NOT SCALE FROM THIS PRINT

DESIGNED & DIMENSIONED IN MILLIMETERS [INCHES]

THIS PRODUCT MANUFACTURED WITH LEAD-FREE PROCESSING

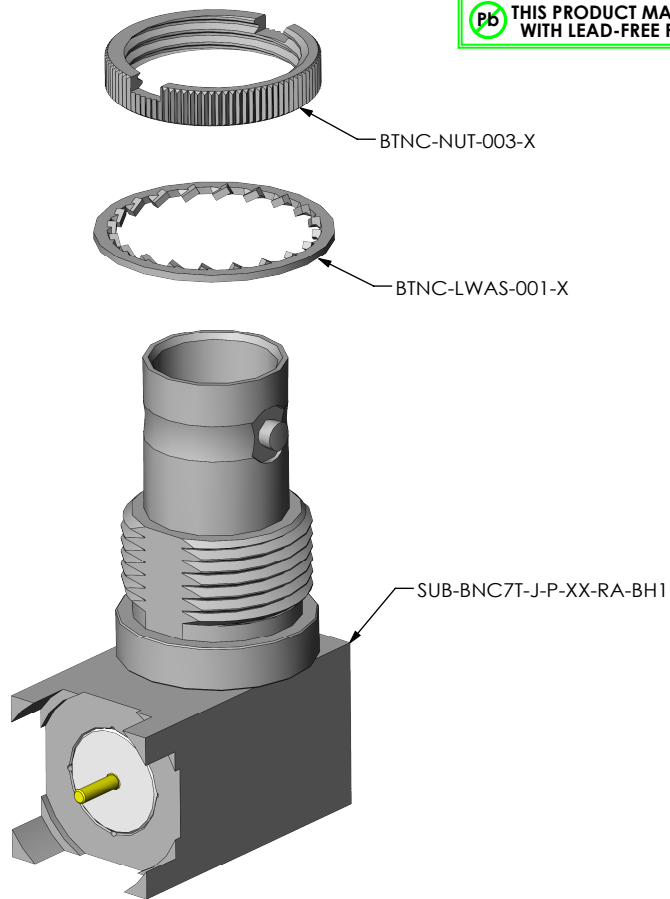


FIG.1
BNC7T-J-P-XX-RA-BH1 SHOWN

NOTES:

- ⊕ REPRESENTS A CRITICAL DIMENSION.
- FABRICATED PARTS MUST BE FREE OF SCRATCHES, TOOL MARKS, ETC.
- SUPPLIER TO REMOVE BURRS.
- RoHS COMPLIANT.
- COMPONENT PLATING DESIGNATIONS:
-H: .000030" MIN. GOLD OVER .000050. (MIN) NICKEL.
-G .000010" MIN. GOLD OVER .000050" MIN. NICKEL
-N: .000100" MIN. NICKEL.
- ASSEMBLY PLATING DESIGNATIONS:
-HN: (CENTER CONTACT)-H
(OUTER CONTACT) -N
(REMAINING METAL PARTS) -N
-MN, -GN:(CENTER CONTACT)-G
(OUTER CONTACT) -N
(REMAINING METAL PARTS) -N
- NOTE DELETED.
- PRODUCT TO BE PACKAGED PER PACKAGING STANDARD CO-RF-WI-3040-M.

BNC7T-J-P-XX-RA-BH1

GENDER
-J: JACK

TYPE
-P: PCB

TERMINATION
-BH1: BULKHEAD THROUGH HOLE

ORIENTATION
-RA: RIGHT ANGLE

PLATING SPECIFICATION
-HN: HEAVY GOLD/NICKEL
(SUB-BNC7T-J-P-HN-RA-BH1)
(BTNC-NUT-003-N)
(BTNC-LWAS-001-N)

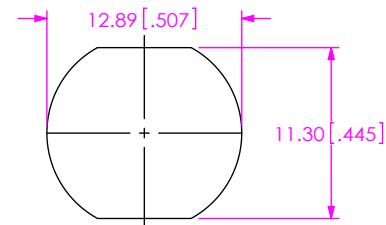
*-MN: MEDIUM GOLD/NICKEL
(SUB-BNC7T-J-P-GN-RA-BH1)
(BTNC-NUT-003-N)
(BTNC-LWAS-001-N)

-GN: GOLD/NICKEL
(SUB-BNC7T-J-P-GN-RA-BH1)
(BTNC-NUT-003-N)
(BTNC-LWAS-001-N)

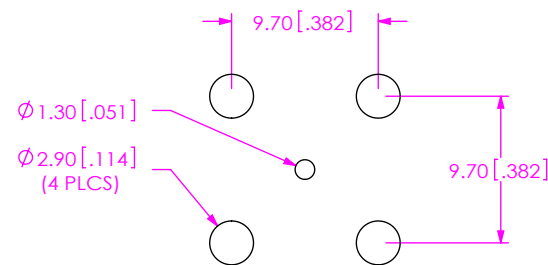
*= FOR EXISTING CUSTOMERS ONLY

RECOMMENDED MOUNTING HOLE


4.00 [.157] MAX. PANEL THICKNESS

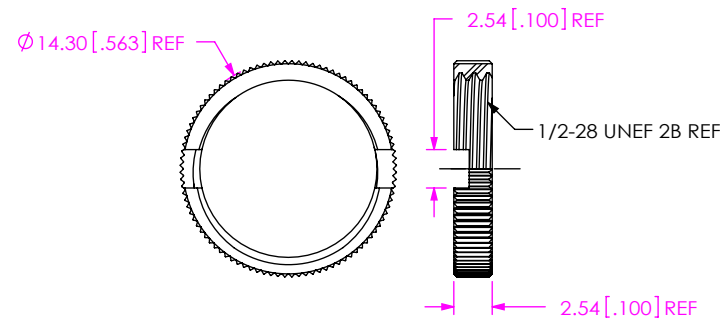
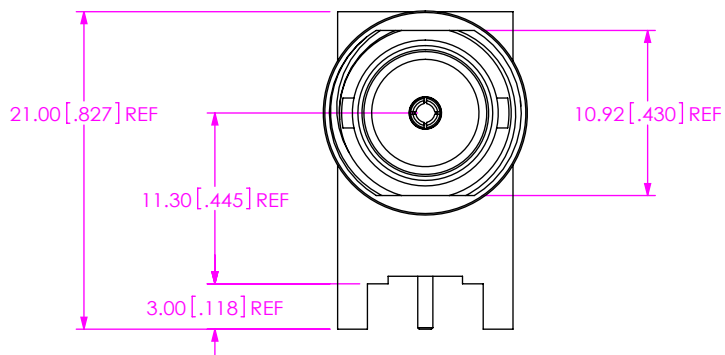


RECOMMENDED PCB LAYOUT

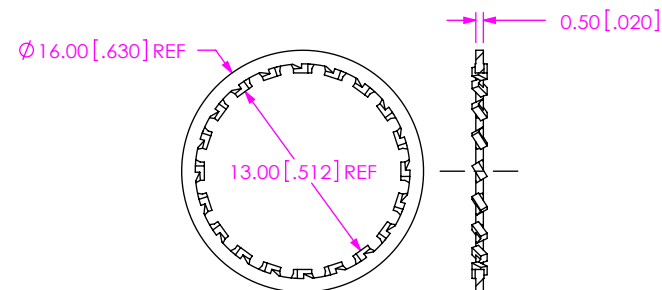
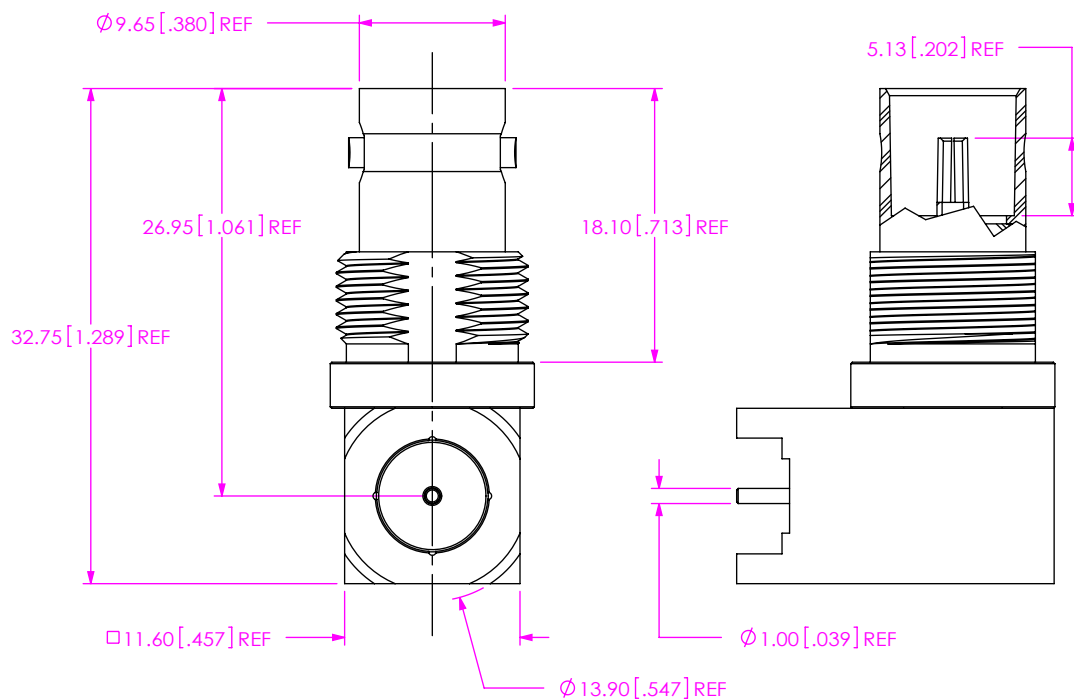


F:\DWG\MISC\MKTG\BNC7T-J-P-XX-RA-BH1-MKT.SLDDRW

<p>UNLESS OTHERWISE SPECIFIED DIMENSIONS ARE IN MILLIMETERS</p> <p>TOLERANCES ARE:</p> <table border="0"> <tr> <td>DECIMALS</td> <td>ANGLES</td> </tr> <tr> <td>.X: ±0.3 [.01]</td> <td>2°</td> </tr> <tr> <td>.XX: ±0.13 [.005]</td> <td></td> </tr> <tr> <td>.XXX: ±0.051 [.0020]</td> <td></td> </tr> </table>	DECIMALS	ANGLES	.X: ±0.3 [.01]	2°	.XX: ±0.13 [.005]		.XXX: ±0.051 [.0020]		<p>PROPRIETARY NOTE</p> <p>THIS DOCUMENT CONTAINS INFORMATION CONFIDENTIAL AND PROPRIETARY TO SAMTEC, INC. AND SHALL NOT BE REPRODUCED OR TRANSFERRED TO OTHER DOCUMENTS OR DISCLOSED TO OTHERS OR USED FOR ANY PURPOSE OTHER THAN THAT WHICH IT WAS OBTAINED WITHOUT THE EXPRESSED WRITTEN CONSENT OF SAMTEC, INC.</p>	 <p>520 PARK EAST BLVD, NEW ALBANY, IN 47150 PHONE: 812-944-6733 FAX: 812-948-5047 e-Mail: info@SAMTEC.com code: 55322</p> <p>DESCRIPTION: TRUE 75 OHM RIGHT ANGLE JACK ASSEMBLY</p> <p>DWG. NO. BNC7T-J-P-XX-RA-BH1</p> <p>BY: G. HERMAN 09-07-2010 SHEET 1 OF 2</p>
DECIMALS	ANGLES									
.X: ±0.3 [.01]	2°									
.XX: ±0.13 [.005]										
.XXX: ±0.051 [.0020]										
<p>MATERIAL: DO NOT SCALE DRAWING SHEET SCALE: 2:1</p> <p>SHELL, BODY, NUT, WASHER: BRASS</p> <p>CONTACT: COPPER ALLOY</p> <p>DIELECTRIC: PTFE</p>										



SAMTEC PART NUMBER	ITEM
BTNC-NUT-003-X	KNURLED NUT



SAMTEC PART NUMBER	ITEM
BTNC-LWAS-001-X	LOCKWASHER

F:\DWG\MISC\MKTG\BNC7T-J-P-XX-RA-BH1-MKT.SLDRW

PROPRIETARY NOTE
 THIS DOCUMENT CONTAINS INFORMATION
 CONFIDENTIAL AND PROPRIETARY TO
 SAMTEC, INC. AND SHALL NOT BE REPRODUCED
 OR TRANSFERRED TO OTHER DOCUMENTS OR
 DISCLOSED TO OTHERS OR USED FOR ANY
 PURPOSE OTHER THAN THAT WHICH IT WAS
 OBTAINED WITHOUT THE EXPRESSED WRITTEN
 CONSENT OF SAMTEC, INC.



520 PARK EAST BLVD, NEW ALBANY, IN 47150
 PHONE: 812-944-6733 FAX: 812-948-5047
 e-Mail: info@SAMTEC.com code: 55322

DO NOT SCALE DRAWING

SHEET SCALE: 2:1

DESCRIPTION:
 TRUE 75 OHM RIGHT ANGLE JACK ASSEMBLY

DWG. NO.
BNC7T-J-P-XX-RA-BH1

BY: G. HERMAN 09-07-2010 SHEET 2 OF 2

SAMTEC PART NUMBER	ITEM
SUB-BNC7T-J-P-XX-RA-BH1	SUB ASSEMBLY

X-ON Electronics

Largest Supplier of Electrical and Electronic Components

Click to view similar products for [RF Connectors / Coaxial Connectors](#) category:

Click to view products by [Samtec](#) manufacturer:

Other Similar products are found below :

[8915-1511-000](#) [89674-0827](#) [6001-7071-019](#) [6002-7051-003](#) [6002-7551-202](#) [6059674-1](#) [619550-1](#) [630059-000](#) [M39030/3-01N](#) [6500-7071-046](#) [6769](#) [CX050L2AQ](#) [7002-1541-010](#) [7002-1542-011](#) [7004-1512-000](#) [7009-1511-004](#) [7010-1511-000](#) [7029-1511-060](#) [7101-1541-010](#) [7101-1571-002](#) [7145-1521-002](#) [7203-1571-003](#) [7209-1511-011](#) [7210-1511-015](#) [7210-1511-019](#) [73137-5015](#) [73216-2241](#) [73404-2300](#) [7405-1521-005](#) [7405-1521-802](#) [8527](#) [8547](#) [FS11V](#) [877931](#) [8808-1511-001](#) [9049-9513-000](#) [9074-9513-000](#) [9101-9573-002](#) [910A205F](#) [9130-9573-002](#) [PL11SC-026](#) [PL375-33](#) [PL40-5](#) [PL74C-221](#) [PL75MC-217](#) [PL803-7](#) [980-8666-005](#) [1200690078](#) [1-201144-1](#) [R107003010W](#)