

**THIS PRODUCT MANUFACTURED WITH LEAD-FREE PROCESSING**

**DESIGNED & DIMENSIONED IN MILLIMETERS [INCHES]**

DO NOT SCALE FROM THIS PRINT

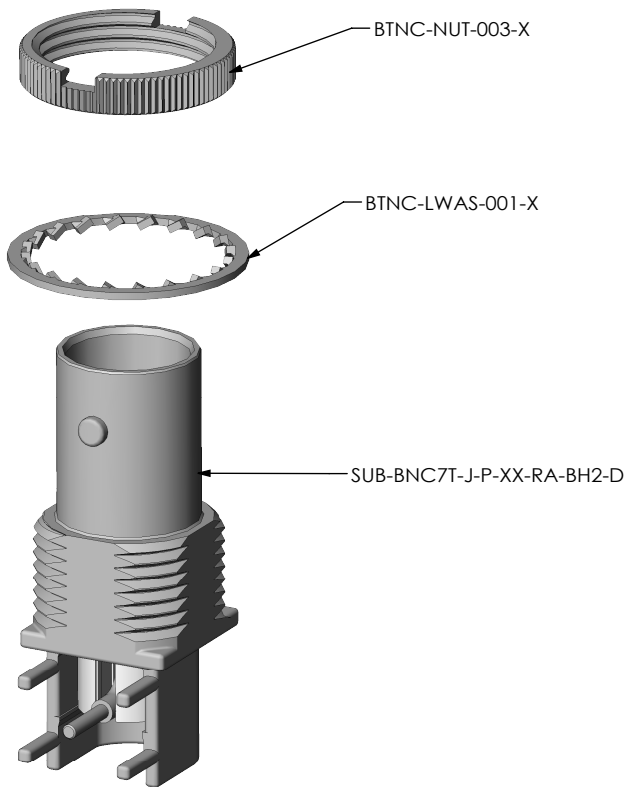


FIG 1  
BNC7T-J-P-XX-RA-BH2D SHOWN

NOTES:

- ⊕ REPRESENTS A CRITICAL DIMENSION.
- RoHS COMPLIANT.
- SEE CO-HD-WI-3040-M RF PACKAGING STANDARD FOR PACKAGING INSTRUCTIONS. PRODUCT TO BE PACKAGED IN TRAY TY-BNC002-1 WITH COVER TY-BNC002-2. NUT AND WASHER TO BE BULK PACKAGED SEPARATELY.
- COMPONENT PLATING DESIGNATIONS:  
 -H: 0.000030" MIN. GOLD OVER 0.000050" MIN. NICKEL.  
 -G: 0.000010" MIN. GOLD OVER 0.000050" MIN. NICKEL.  
 -N: 0.000100" MIN. NICKEL.
- ASSEMBLY PLATING DESIGNATIONS:  
 -HN: (CENTER CONTACT)-H (OUTER CONTACT) -N (REMAINING METAL PARTS) -N  
 -GN: (CENTER CONTACT)-G (OUTER CONTACT) -N (REMAINING METAL PARTS) -N

BNC7T-J-P-XX-RA-BH2D

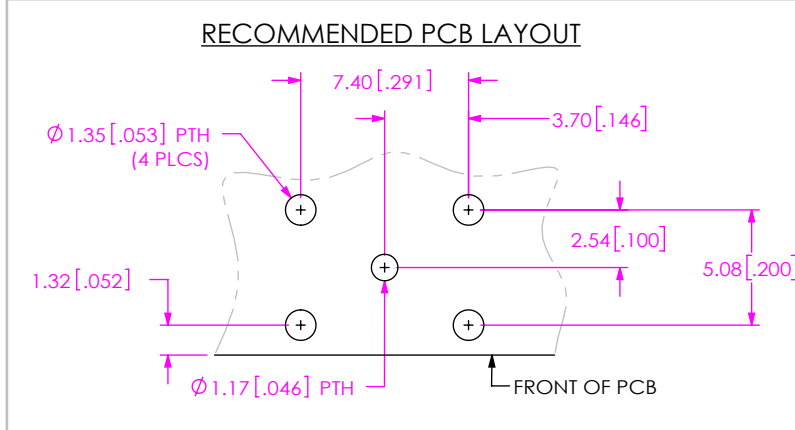
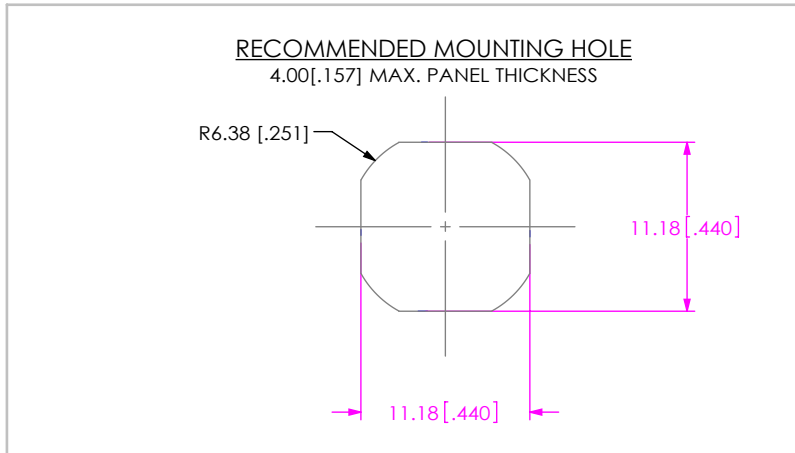
**GENDER**  
-J: JACK

**TYPE**  
-P: PCB

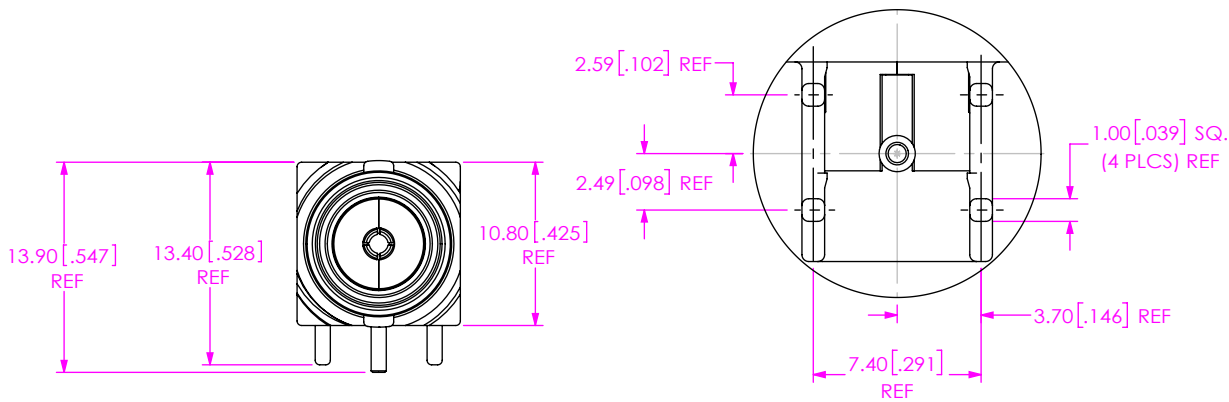
**TERMINATION**  
-BH2D: DIE-CAST BULKHEAD THROUGH HOLE

**ORIENTATION**  
-RA: RIGHT ANGLE

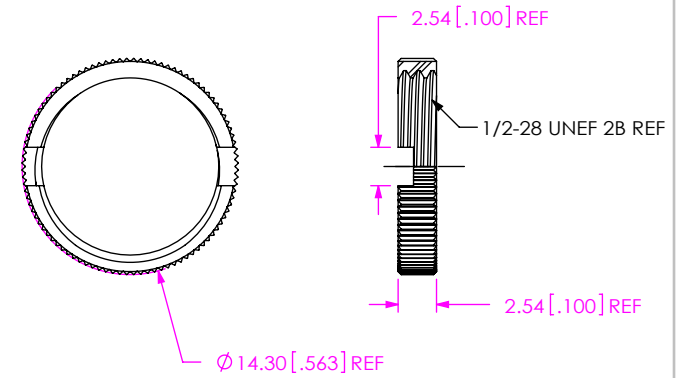
**PLATING SPECIFICATION**  
 -HN: HEAVY GOLD/NICKEL TAIL (SEE NOTES 4 & 5) (SUB-BNC7T-J-P-HN-RA-BH2-D) (BTNC-NUT-003-N) (BTNC-LWAS-001-N)  
 -GN: GOLD/NICKEL TAIL (SEE NOTES 4 & 5) (SUB-BNC7T-J-P-GN-RA-BH2-D) (BTNC-NUT-003-N) (BTNC-LWAS-001-N)



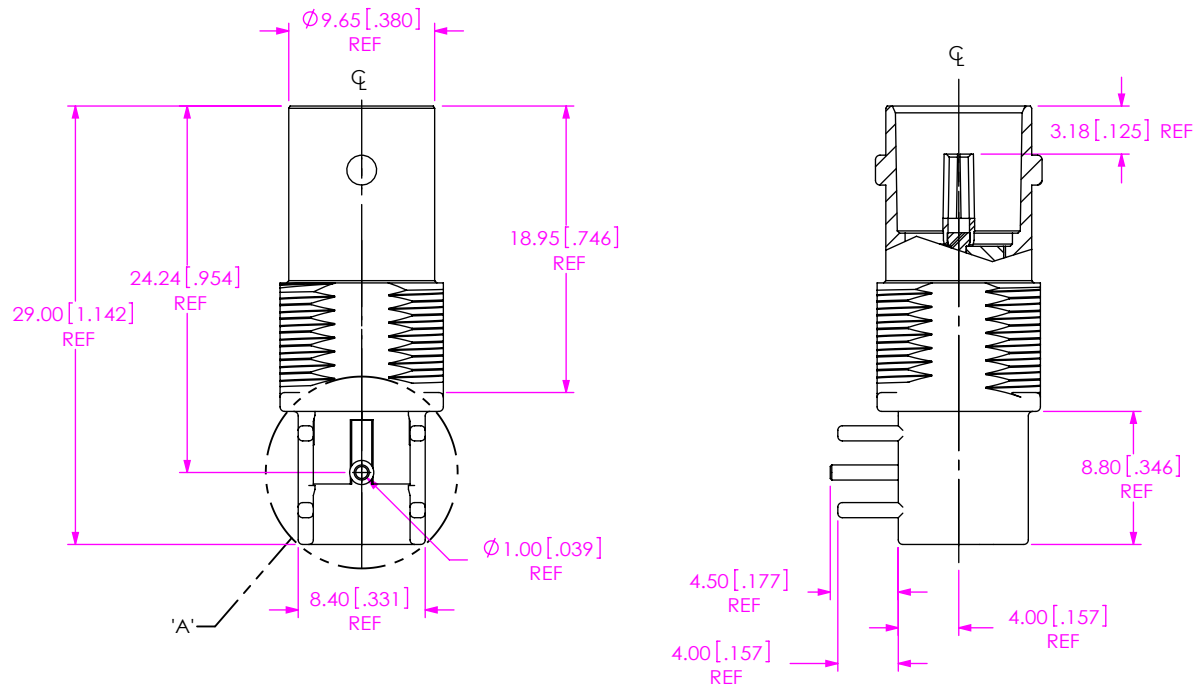
|  |  |   |
|--|--|---|
| UNLESS OTHERWISE SPECIFIED, DIMENSIONS ARE IN MILLIMETERS [INCHES]. TOLERANCES ARE:<br>DECIMALS: .X: ±0.3 [0.1] .XX: ±0.13 [0.05] .XXX: ±0.051 [0.020]<br>ANGLES: 5° | <b>PROPRIETARY NOTE</b><br>THIS DOCUMENT CONTAINS CONFIDENTIAL AND PROPRIETARY INFORMATION AND ALL DESIGN, MANUFACTURING, REPRODUCTION, USE, PATENT RIGHTS AND SALES RIGHTS ARE EXPRESSLY RESERVED BY SAMTEC, INC. THIS DOCUMENT SHALL NOT BE DISCLOSED, IN WHOLE OR PART, TO ANY UNAUTHORIZED PERSON OR ENTITY NOR REPRODUCED, TRANSFERRED OR INCORPORATED IN ANY OTHER PROJECT IN ANY MANNER WITHOUT THE EXPRESS WRITTEN CONSENT OF SAMTEC, INC. | 520 PARK EAST BLVD, NEW ALBANY, IN 47150<br>PHONE: 812-944-6733 FAX: 812-948-5047<br>e-Mail: info@SAMTEC.com code: 55322                        |
| <b>MATERIAL:</b> DO NOT SCALE DRAWING<br><br>SHELL: ZINC<br>NUT, WASHER: BRASS<br>CONTACT: COPPER ALLOY<br>DIELECTRIC: TPX   | SHEET SCALE: 2:1   | <b>DESCRIPTION:</b><br>BNC RIGHT ANGLE JACK ASSEMBLY<br><br>DWG. NO.<br><b>BNC7T-J-P-XX-RA-BH2D</b><br><br>BY: B. COOPER 11/5/2009 SHEET 1 OF 2 |



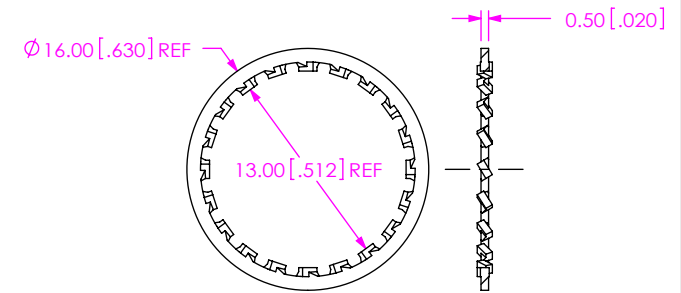
DETAIL 'A'  
SCALE 3:1



| SAMTEC PART NUMBER | ITEM        |
|--------------------|-------------|
| BTNC-NUT-003-X     | KNURLED NUT |



| SAMTEC PART NUMBER        | ITEM         |
|---------------------------|--------------|
| SUB-BNC7T-J-P-XX-RA-BH2-D | SUB ASSEMBLY |



| SAMTEC PART NUMBER | ITEM       |
|--------------------|------------|
| BTNC-LWAS-001-X    | LOCKWASHER |

**PROPRIETARY NOTE**  
 THIS DOCUMENT CONTAINS CONFIDENTIAL AND PROPRIETARY INFORMATION AND ALL DESIGN, MANUFACTURING, REPRODUCTION, USE, PATENT RIGHTS AND SALES RIGHTS ARE EXPRESSLY RESERVED BY SAMTEC, INC. THIS DOCUMENT SHALL NOT BE DISCLOSED, IN WHOLE OR PART, TO ANY UNAUTHORIZED PERSON OR ENTITY NOR REPRODUCED, TRANSFERRED OR INCORPORATED IN ANY OTHER PROJECT IN ANY MANNER WITHOUT THE EXPRESS WRITTEN CONSENT OF SAMTEC, INC.

DO NOT SCALE DRAWING

SHEET SCALE: 2:1

520 PARK EAST BLVD, NEW ALBANY, IN 47150  
 PHONE: 812-944-6733 FAX: 812-948-5047  
 e-Mail: info@SAMTEC.com code: 55322

DESCRIPTION:  
 BNC RIGHT ANGLE JACK ASSEMBLY

DWG. NO.  
 BNC7T-J-P-XX-RA-BH2D

BY: B. COOPER 11/5/2009 SHEET 2 OF 2

## X-ON Electronics

Largest Supplier of Electrical and Electronic Components

*Click to view similar products for [RF Connectors / Coaxial Connectors](#) category:*

*Click to view products by [Samtec](#) manufacturer:*

Other Similar products are found below :

[8915-1511-000](#) [89674-0827](#) [6001-7071-019](#) [6002-7051-003](#) [6002-7551-202](#) [6059674-1](#) [619550-1](#) [630059-000](#) [M39030/3-01N](#) [6500-7071-046](#) [6769](#) [CX050L2AQ](#) [7002-1541-010](#) [7002-1542-011](#) [7004-1512-000](#) [7009-1511-004](#) [7010-1511-000](#) [7029-1511-060](#) [7101-1541-010](#) [7101-1571-002](#) [7145-1521-002](#) [7203-1571-003](#) [7209-1511-011](#) [7210-1511-015](#) [7210-1511-019](#) [73137-5015](#) [73216-2241](#) [73404-2300](#) [7405-1521-005](#) [7405-1521-802](#) [8527](#) [8547](#) [FS11V](#) [877931](#) [8808-1511-001](#) [9049-9513-000](#) [9074-9513-000](#) [9101-9573-002](#) [910A205F](#) [9130-9573-002](#) [PL11SC-026](#) [PL375-33](#) [PL40-5](#) [PL74C-221](#) [PL75MC-217](#) [PL803-7](#) [1200690078](#) [1-201144-1](#) [R107003010W](#) [R110A172100](#)