

DESIGNED & DIMENSIONED
IN MILLIMETERS [INCHES]

DO NOT
SCALE FROM
THIS PRINT

BNC7T-J-P-XX-ST-EM2D

GENDER
-J: JACK
TYPE
-P: PCB
TERMINATION
-EM2D: DIE CAST EDGE MOUNT (FOR 2.29 [.090] THICK PCB)
ORIENTATION
-ST: STRAIGHT

PLATING SPECIFICATION
-HN: HEAVY GOLD/NICKEL (SEE NOTES 6 & 7)
(SUB-BNC7T-J-P-HN-ST-EM2D)
(BTNC-NUT-003-N)
(BTNC-LWAS-001-N)
-GN: GOLD/NICKEL (SEE NOTES 6 & 7)
(SUB-BNC7T-J-P-GN-ST-EM2D)
(BTNC-NUT-003-N)
(BTNC-LWAS-001-N)
*-MN: GOLD/NICKEL (SEE NOTES 6, & 7)
(SUB-BNC7T-J-P-GN-ST-EM2D)
(BTNC-NUT-003-N)
(BTNC-LWAS-001-N)

* = FOR EXISTING CUSTOMERS ONLY

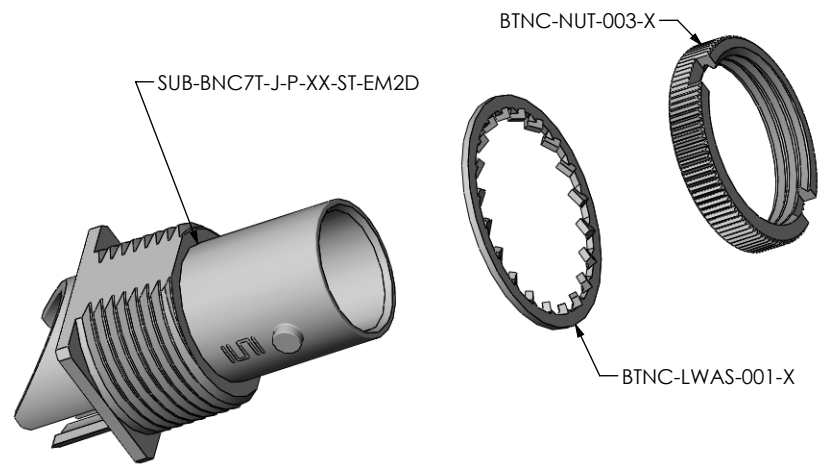
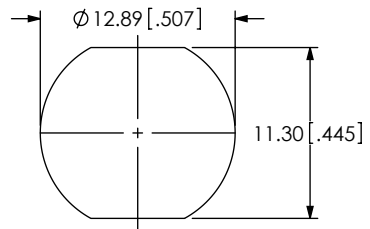


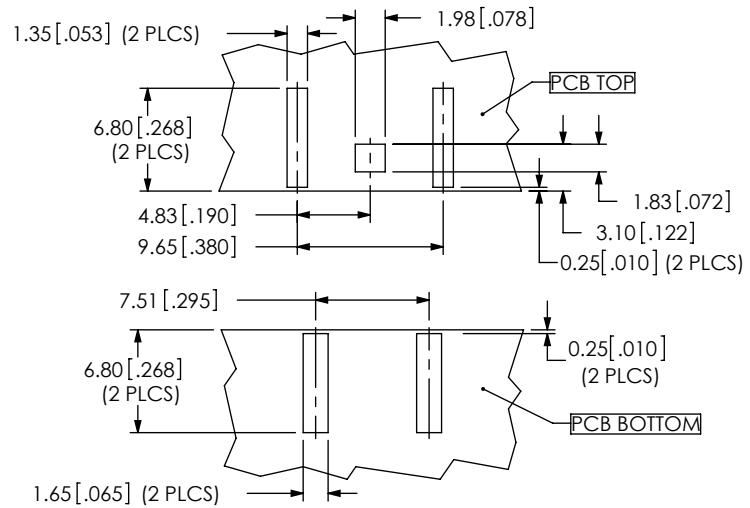
FIG 1
BNC7T-J-P-XX-ST-EM2D SHOWN

- NOTES:
- ⊕ REPRESENTS A CRITICAL DIMENSION.
 - FABRICATED PARTS MUST BE FREE OF SCRATCHES, TOOL MARKS, ETC.
 - SUPPLIER TO REMOVE BURRS.
 - RoHS COMPLIANT.
 - PRODUCT TO BE PACKAGED PER PACKAGING STANDARD CO-HD-WI-3033-M
 - COMPONENT PLATING DESIGNATIONS:
-H: 0.000030" MIN. GOLD OVER 0.000050" MIN. NICKEL.
-G: 0.000010" MIN. GOLD OVER 0.000050" MIN. NICKEL.
-N: 0.000100" MIN. NICKEL.
 - ASSEMBLY PLATING DESIGNATIONS:
-HN: (CENTER CONTACT)-H
(OUTER CONTACT) -N
(REMAINING METAL PARTS) -N
-GN, MN: (CENTER CONTACT)-G
(OUTER CONTACT) -N
(REMAINING METAL PARTS) -N
 - NOTE DELETED.

RECOMMENDED MOUNTING HOLE
4.00 [.157] MAX. PANEL THICKNESS



RECOMMENDED LAYOUT
FOR 2.29 [.090] PCB



UNLESS OTHERWISE SPECIFIED,
DIMENSIONS ARE IN MILLIMETERS.
TOLERANCES ARE:
DECIMALS ANGLES
.X: ±0.3 [.01] 2°
.XX: ±0.13 [.005]
.XXX: ±0.051 [.0020]

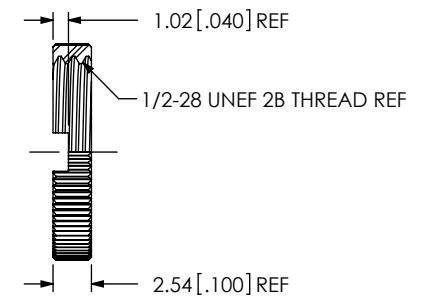
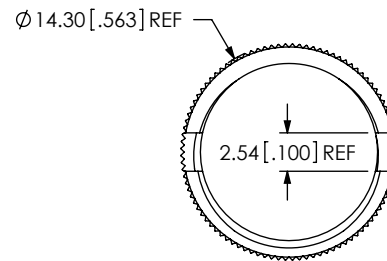
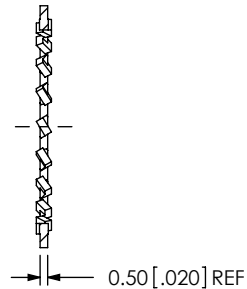
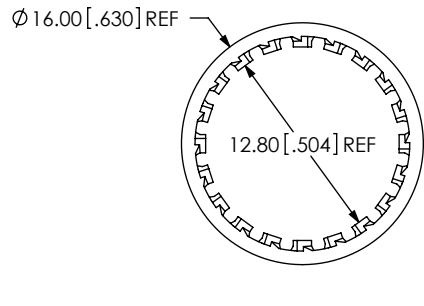
PROPRIETARY NOTE
THIS DOCUMENT CONTAINS INFORMATION
CONFIDENTIAL AND PROPRIETARY TO
SAMTEC, INC. AND SHALL NOT BE REPRODUCED
OR TRANSFERRED TO OTHER DOCUMENTS OR
DISCLOSED TO OTHERS OR USED FOR ANY
PURPOSE OTHER THAN THAT WHICH IT WAS
OBTAINED WITHOUT THE EXPRESSED WRITTEN
CONSENT OF SAMTEC, INC.

samtec
520 PARK EAST BLVD, NEW ALBANY, IN 47150
PHONE: 812-944-6733 FAX: 812-948-5047
e-Mail: info@SAMTEC.com code: 55322

MATERIAL: DO NOT SCALE DRAWING SHEET SCALE: 2:1
SHELL: ZAMAK 3
NUT, WASHER: BRASS
CONTACT: COPPER ALLOY

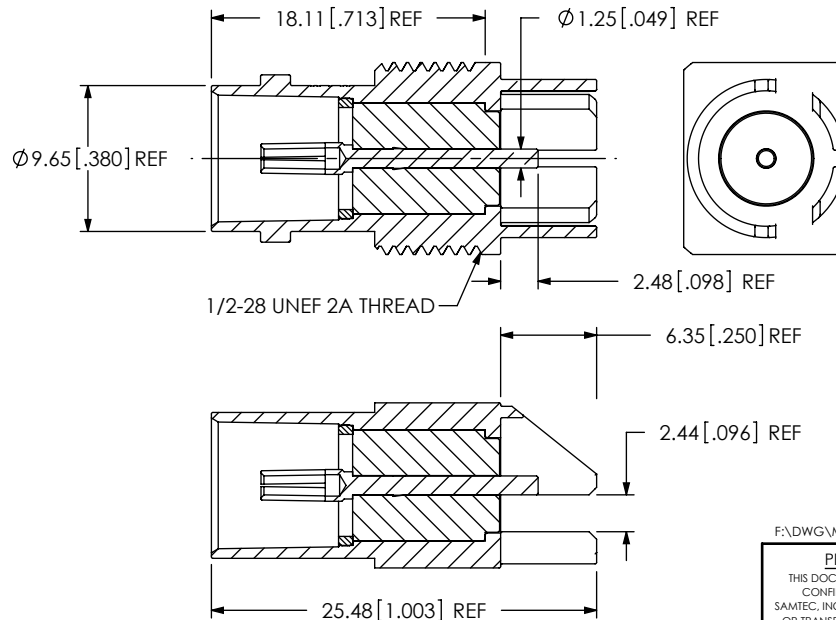
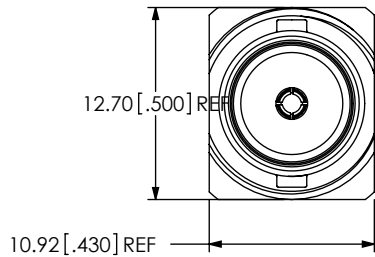
DESCRIPTION:
BNC7T EDGE MOUNT DIE CAST STRAIGHT JACK
DWG. NO.
BNC7T-J-P-XX-ST-EM2D

REVISION B



SAMTEC PART NUMBER	ITEM
BTNC-LWAS-001-X	LOCKWASHER

SAMTEC PART NUMBER	ITEM
BTNC-NUT-003-X	KNURLED NUT



F:\DWG\MISC\MKTG\BNC7T-J-P-XX-ST-EM2D-MKT.SLDDRW

PROPRIETARY NOTE
 THIS DOCUMENT CONTAINS INFORMATION
 CONFIDENTIAL AND PROPRIETARY TO
 SAMTEC, INC. AND SHALL NOT BE REPRODUCED
 OR TRANSFERRED TO OTHER DOCUMENTS OR
 DISCLOSED TO OTHERS OR USED FOR ANY
 PURPOSE OTHER THAN THAT WHICH IT WAS
 OBTAINED WITHOUT THE EXPRESSED WRITTEN
 CONSENT OF SAMTEC, INC.



520 PARK EAST BLVD, NEW ALBANY, IN 47150
 PHONE: 812-944-6733 FAX: 812-948-5047
 e-Mail: info@SAMTEC.com code: 55322

DO NOT SCALE DRAWING

SHEET SCALE: 2:1

DESCRIPTION:
 BNC7T EDGE MOUNT DIE CAST STRAIGHT JACK

DWG. NO.
BNC7T-J-P-XX-ST-EM2D

BY: T. MEEK 11/17/2009 SHEET 2 OF 2

SAMTEC PART NUMBER	ITEM
SUB-BNC7T-J-P-XX-ST-EM2D	SUB ASSEMBLY

X-ON Electronics

Largest Supplier of Electrical and Electronic Components

Click to view similar products for [Screws & Fasteners](#) category:

Click to view products by [Samtec](#) manufacturer:

Other Similar products are found below :

[5721-1440-1/4-SS](#) [593503FX](#) [0098.0094](#) [0098.9206](#) [0098.9219](#) [0098.9262](#) [596-2114-013](#) [59781-6](#) [0098.0026](#) [0098.9210](#) [0098.9212](#) [60227-01](#) [60227-04](#) [60227-08](#) [60687-01](#) LOCK WASHER Black [618-00001](#) [62153-03](#) [62153-11](#) [M316-KSSTMCZ100](#) [M3440-SS](#) [M3442-SS](#) [M3448-SS](#) [6292-1](#) [6-306105-9](#) [6-306131-4](#) [690432-1](#) [699161-000](#) [7230-3](#) [7244](#) [7248-1](#) [7248-2](#) [73542-02](#) CAPTIVE SHORT THUMBSCREW [745564-1](#) [F1209](#) [751-00001](#) [7680](#) [809704-1](#) [8700](#) [8860220](#) [9047](#) [9521](#) [992326-6](#) [992763-3](#) [1-18024-0](#) [1-18028-2](#) [A168P1](#) [A495P1](#) [1-24921-1](#) [125416-1](#) [1260](#)