



MiniMate® CONNECTOR IPD1 SERIES
CAT-EX-179-01
CAT-RE-169-01
Extraction & Lance Reset Tools

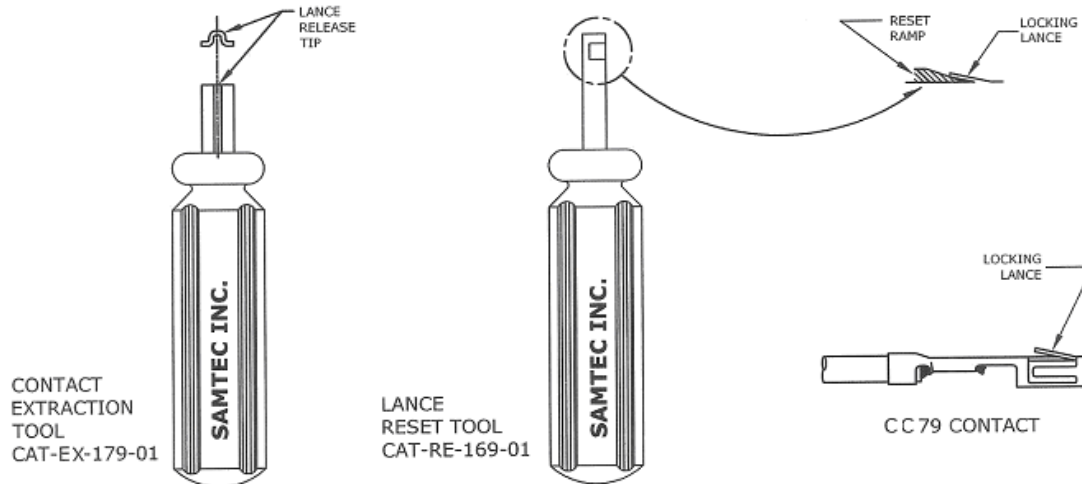


FIGURE 1

1. INTRODUCTION

Contacts can be safely removed from a housing cavity and reinserted into a new position by using the extraction tooling shown in Figure 1. This instruction sheet covers the use of the SAMTEC Extraction Tool CAT-EX-179-01 and Lance Reset Tool CAT-RE-169-01. These tools are intended to aid in the removal of the CC79, MiniMate® contacts from housings and reset the lance position of the removed contact.

2. CUSTOMER SERVICE

Further tooling and product application assistance is available by contacting the **Samtec Customer Service Department (1-800-SAMTEC9)** 8:00 AM to 5:00 PM eastern time. To expedite your inquiry, have the pertinent part numbers for the product and tooling.

3. DESCRIPTION

Each tool handle is marked with the contact number for which it was designed. Make sure it matches the product numbers you are working with.

The MiniMate® contact has a retaining lance that can be released through an access window located in the front of the housing as shown in Figure 2. The Extraction Tool has a protrusion that is inserted into the window to depress the lance the correct amount for contact removal.

CAUTION- Do not use an unintended tool to release the lance such as a screwdriver or other sharp device. This can cause damage to the lance and weaken its ability retain the reinserted contact in the housing.

The lance reset tool is used to adjust the height of the contact, if necessary, after extraction. This assures that the lead retention force will be correct after re-insertion.



MiniMate® CONNECTOR IPD1 SERIES
CAT-EX-179-01
CAT-RE-169-01
Extraction & Lance Reset Tools

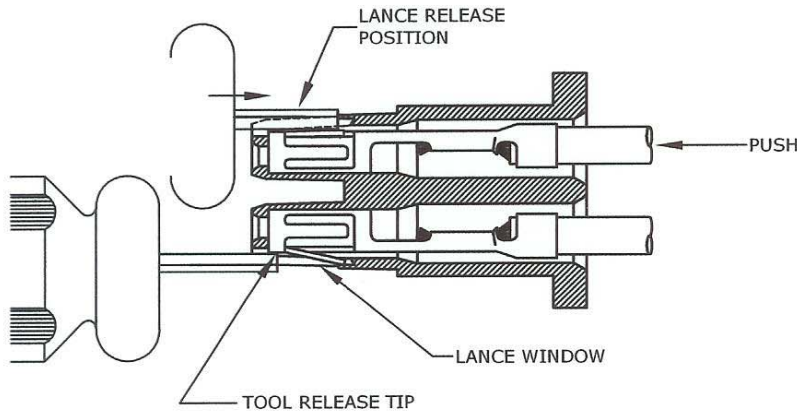


FIGURE 2

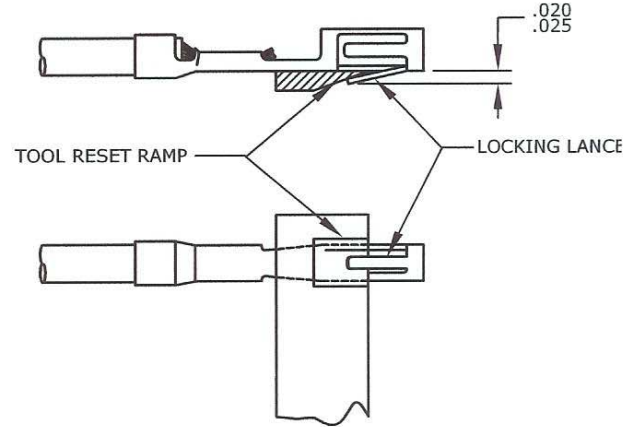


FIGURE 3

4. EXTRACTION PROCEDURE

The following steps are recommended:

1. Push the desired lead forward to the bottom of its cavity. This will provide clearance for the lance to be depressed.
2. Engage the tip of the Extraction Tool in the lance window as shown in Figure 2. With downward pressure, push the tool toward the back of the window to release the lance.
3. Maintain downward pressure on the tool tip then grip the lead and pull the contact from its cavity.

5. LOCKING LANCE RESET PROCEDURE

Before reinserting an extracted contact, it is necessary to check the lance height to assure the proper retention in the housing as shown in Figure 3. The lance height should be .020 in to .025 high. If adjustment is necessary, proceed as follows:

1. Align the reset tool so that the ramp is facing the open portion of the locking lance.
2. Slide the locking lance under the locking lance until the height appears to be correct.
3. Recheck the lance height; repeat setting procedure if necessary.

6. CONTACT RE-INSERTION

In all rows, the locking lance must be **facing the outside** of the housing to latch the contact into the cavity. Push the contact straight into the cavity until an audible **click** is heard. Give the lead a light tug to confirm that the contact is locked in place.

X-ON Electronics

Largest Supplier of Electrical and Electronic Components

Click to view similar products for [Extraction, Removal & Insertion Tools](#) category:

Click to view products by [Samtec](#) manufacturer:

Other Similar products are found below :

[965004-000](#) [965069-000](#) [4-1579008-4](#) [4-1579018-0](#) [5-1579007-2](#) [CAT-RE-169-01](#) [4-1579008-5](#) [M81714/69-01](#) [126117-1](#) [313053-1](#)
[M81969/14-03](#) [2844330-1](#) [T3100000017-000](#) [USBAKEY](#) [RX16D11D1](#) [DRK698-16](#) [62202-2624](#) [7-1579018-0](#) [1089092](#) [63824-0810](#) [18-](#)
[234](#) [REMTOOL26](#) [610100000](#) [227-1491](#) [M.117346](#) [1330-OD-20](#) [63824-8700](#) [200222-0700](#) [859-022](#) [200222-1000](#) [605837](#) [200214-1132](#)
[INSTOOL26](#) [91040-1](#) [TMSTEH-TOOL-V](#) [A46151-8T50](#) [CAT-EX-MPSS-01](#) [2345834-2](#) [8-1579007-9](#) [4-1579018-8](#) [8-1579018-0](#) [1209-062](#)
[NT/PA1](#) [995-9500-030](#) [2161958-1](#) [TOOL-BNC7T-01](#) [CAT-EX-74-01](#) [1209-062](#) [NT/PA](#) [CAT-EX-179-01](#) [069177701601003](#) [192900-0176](#)