

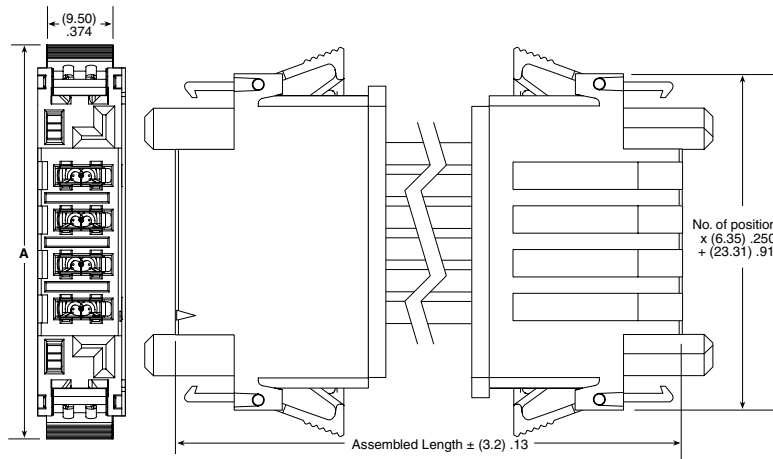
## (6.35 mm) .250" PITCH • 40 A CABLE ASSEMBLY/COMPONENTS

PESS	NO. OF POSITIONS	WIRE GAUGE	PLATING OPTION	ASSEMBLED LENGTH	END 1 OPTION	END 2 OPTION
	-02, -04, -06, -08	-10 -12	-L = 10 μ" (0.25 μm) Gold on contact, Matte Tin on tail  -T = Matte Tin on tail	-"XX.XX" = Wire length in inches (152.4 mm) 06.00" min.	-SR = Single End  -DR = Double End	(Available with -DR only)  -NUS = Notch up, straight (Available with -DR only)  -NDS = Notch down, straight

**PESS**  
Board Mates:  
PET

### SPECIFICATIONS

**Insulator Material:**  
Nylon Black  
**Contact Material:**  
Copper Alloy  
**Plating:**  
Sn or Au over  
50 μ" (1.27 μm) Ni  
**Operating Temp Range:**  
-30 °C to +105 °C  
**Voltage Rating:**  
600 VAC  
846 VDC  
**Wire:**  
10 or 12 AWG



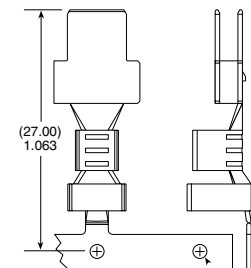
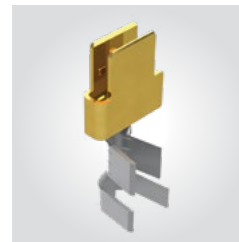
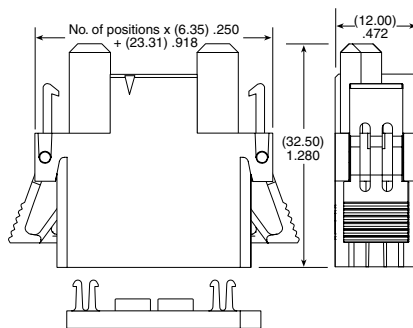
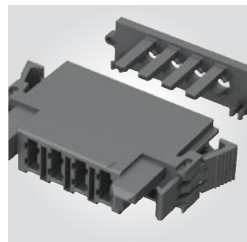
NO. OF POSITIONS	A
-02	(43.9) 1.73
-04	(56.6) 2.23
-06	(69.3) 2.73
-08	(82.0) 3.23

PESS/PET	
WIRE GAUGE	CURRENT RATING (PER PIN)
10 AWG	34.5 A
12 AWG	29.7 A

1 PIN POWERED

View complete specifications at: [samtec.com?PESS](http://samtec.com?PESS)

IPS6	POSITIONS PER ROW	01	LATCH	SERIES	WIRE GAUGE	PLATING OPTION
	-02, -04, -06, -08		-L = Latch	CC10R = Contact, Full Reel  CC10L = Contact, Loose	-1012 = 10 to 12 AWG	-L = 10 μ" (0.25 μm) Gold on contact, Matte Tin on tail  -T = Matte Tin on tail



### TOOLING

Hand Tool: CAT-HT-310-1012-14  
Mini Applicator: CAT-MC-310-1012-XX-02

**Note:**  
Some lengths, styles and options are non-standard, non-returnable

View complete specifications at: [samtec.com?IPS6](http://samtec.com?IPS6), [samtec.com?CC10L](http://samtec.com?CC10L) & [samtec.com?CC10R](http://samtec.com?CC10R)

## X-ON Electronics

Largest Supplier of Electrical and Electronic Components

*Click to view similar products for [Headers & Wire Housings](#) category:*

*Click to view products by [Samtec](#) manufacturer:*

Other Similar products are found below :

[892-18-020-10-001101](#) [58102-G61-06LF](#) [582553-1](#) [0009485154](#) [009176003701906](#) [0050291907](#) [LY20-4P-DT1-P1E-BR](#) [02.125.8002.8](#)  
[609-3404](#) [61062-3](#) [61082-181009](#) [622-3653LF](#) [63453-116](#) [636-1030](#) [636-1427](#) [636-3427](#) [636-4007](#) [641938-9](#) [641991-4](#) [644827-2](#) [65817-](#)  
[010LF](#) [65817-015LF](#) [65863-015LF](#) [66207-023LF](#) [67095-007LF](#) [67601157](#) [68645-018](#) [68648-049](#) [70.362.1628.0](#) [70-4210](#) [70-4226B](#) [70-](#)  
[4853B](#) [707-5020](#) [707-5028](#) [71.350.2428.0](#) [71918-208LF](#) [71961-016LF](#) [733-134](#) [733-162](#) [754199-000](#) [760-3052](#) [787-8014-00](#) [79531-3000](#)  
[FCN-360C032-B](#) [FCN-367T-T012/H](#) [FCN-723D010/2](#) [80.063.4001.1](#) [800-90-001-10-001000](#) [800-90-010-10-002000](#) [801-43-002-10-013000](#)