



(5.00 mm) .1969" PITCH • 30 A CABLE ASSEMBLY/COMPONENTS

MPSS	NO. OF POSITIONS	WIRE GAUGE	PLATING OPTION	ASSEMBLED LENGTH	END 1 OPTION	END 2 OPTION
------	------------------	------------	----------------	------------------	--------------	--------------

-02, -03,
-04, -06, -08

-14
-16

-L
= 10 μ" (0.25 μm)
Gold on contact

-T
= Matte Tin

-"XX.XX"
= Wire length in
inches (83.00 mm)
03.25" min.

-SR
= Single End

-DR
= Double End

(Available with -DR only)

-NUS
= Notch up, straight

-NDS
= Notch down, straight

MPSS

Board Mates:

MPT

SPECIFICATIONS

Insulator Material:

Nylon 6/6

Contact Material:

Copper Alloy

Plating:

Au or Sn over

50 μ" (1.27 μm) Ni

Latch:

Nylon 6/6

Operating Temp Range:

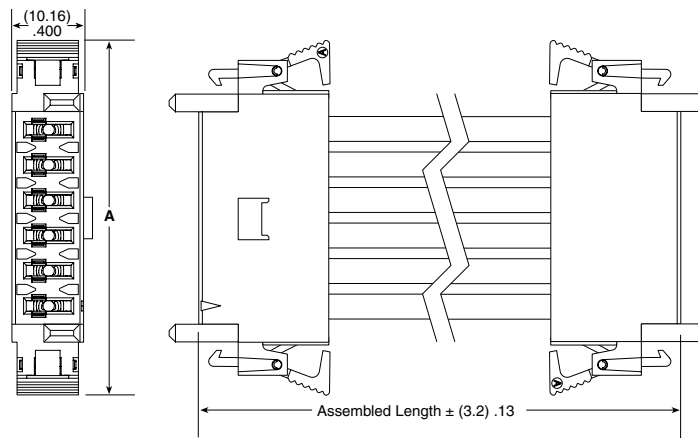
-30 °C to +105 °C

Voltage Rating:

600 VAC/848 VDC

Wire:

14 or 16 AWG



NO. OF POSITIONS	A
-02	(30.07) 1.184
-03	(35.07) 1.381
-04	(40.08) 1.578
-06	(50.09) 1.972
-08	(60.10) 2.366

MPSS/MPT-V	
WIRE GAUGE	CURRENT RATING (PER PIN)
14 AWG	19.7 A
16 AWG	15.9 A
1 PIN POWERED	

View complete specifications at: samtec.com?MPSS

IMS5	POSITIONS PER ROW	02	SERIES	WIRE GAUGE	01	PLATING OPTION
------	-------------------	----	--------	------------	----	----------------

-02, -03, -04, -06, -08

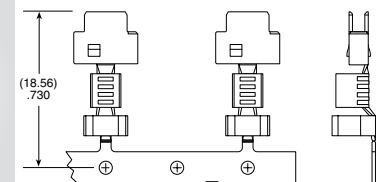
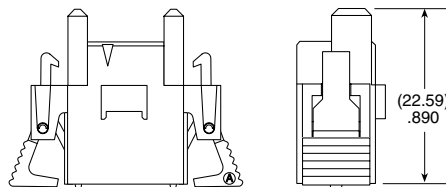
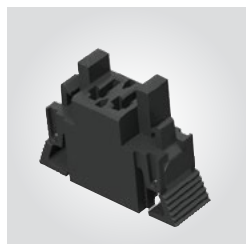
CC46L
= Contact, Loose

-1416
= 14 to 16 AWG

-L
= 10 μ"
(0.25 μm)
Gold on contact

CC46R
= Contact,
Full Reel

-T
= Matte Tin



TOOLING

Hand Tool: CAT-HT-246-1416-14 (14-16 AWG)

Mini Applicator: CAT-MC-246-1416-XX-02 (14-16 AWG)

Extraction Tool: CAT-EX-MPSS-01

Note:

Some lengths, styles and options are non-standard, non-returnable

View complete specifications at: samtec.com?IMS5, samtec.com?CC46L & samtec.com?CC46R

X-ON Electronics

Largest Supplier of Electrical and Electronic Components

Click to view similar products for [Heavy Duty Power Connectors](#) category:

Click to view products by [Samtec](#) manufacturer:

Other Similar products are found below :

[6646058-2](#) [6646137-1](#) [6646138-1](#) [6646940-1](#) [6651091-1](#) [6651525-1](#) [6651529-1](#) [696475-1](#) [702-32-01109](#) [73080255059](#) [73080965046](#)
[7310205040001](#) [765-16-0080B](#) [765-18-0080D](#) [902-77-02113](#) [PS00/A0620/6300](#) [AN0024023](#) [154-42B7WM250](#) [MS3117-14AC](#) [1643543-1](#)
[1766966-1](#) [1791340000](#) [NLDFT-3-BL-L-S120-M40A](#) [NLDFT-N-W-L-C240-M40B](#) [1926015-1](#) [NLS-3-BL-C240-M40B](#) [NLS-N-W-C240-](#)
[M40B](#) [NPS-3-BL-T6](#) [2-1589900-8](#) [9300480317](#) [294-0091-01100](#) [296-0040-01100](#) [1-6609148-0](#) [A32595-0049](#) [1766249-1](#) [19000005132](#)
[1926016-1](#) [1-966831-8](#) [AN0024202](#) [AN0264023](#) [279-0841-10100A](#) [281-0334-00100A](#) [RMSB4](#) [419-2083-301](#) [LCDX4/0-14B-X](#) [075-8519-](#)
[001](#) [078238-1613](#) [07.470.3256.0](#) [09000005288](#) [09140240311](#)