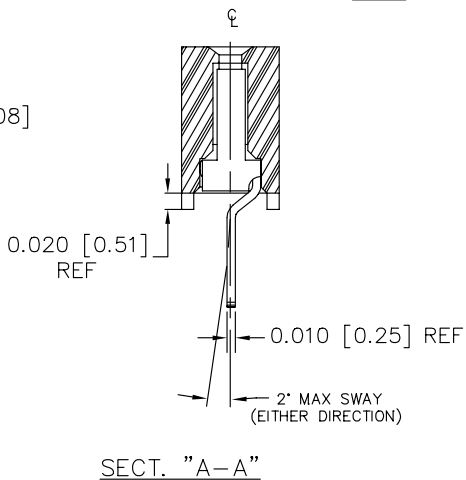
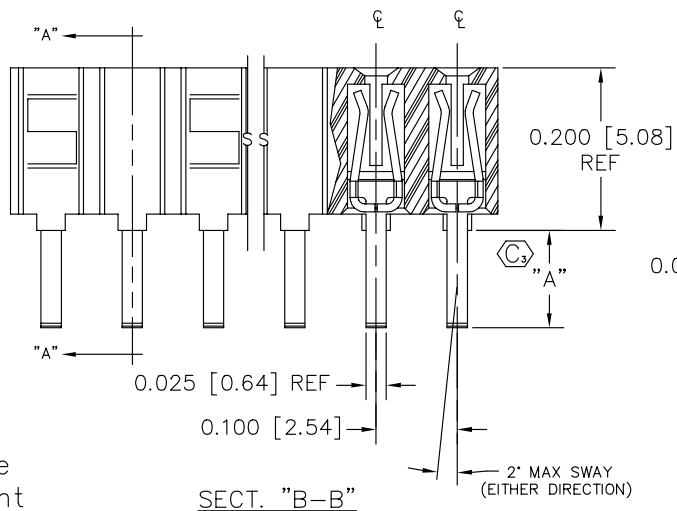
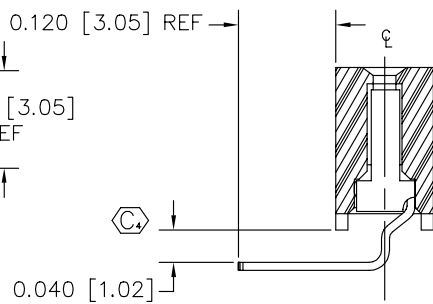
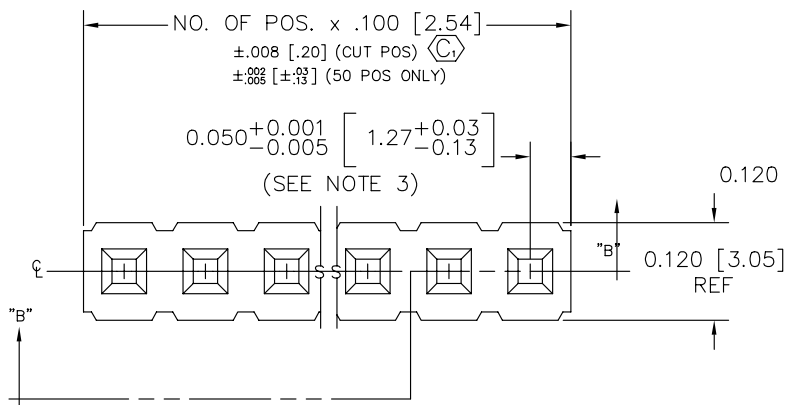


NOTES:

- CONTACT RETENTION FORCE: 2 lbs
- MAX ALLOWABLE BOW: .006 [.15] IN/IN
- "END WALLS" AFTER CUTTING SHOULD BE $.015 \pm .001$ [$.38 \pm .03$].
- WHEN FILLING THE ASSEMBLY, ALL CONTACTS MUST BE FACING THE SAME DIRECTION.
- (C) REPRESENTS CRITICAL DIMENSION.
- CUT FLASH: .015 [.38] MAX WITH NO FLASH ALLOW IN HOLES.
- .003 [.08] MAX TERMINAL BURR.



DIMENSIONS ARE IN INCHES		UNLESS OTHERWISE NOTED		TOLERANCES ARE:		TITLE:	DWG NO:
ONE PLACE DECIMALS $\pm .1$ [.3]	THREE PLACE DECIMALS $\pm .005$ [.13]	ANGLES $\pm 2^\circ$	CLOSED ENTRY SOCKET STRIP		CES-1XX-XX-X-X-XX	SHEET 1 OF 1	
TWO PLACE DECIMALS $\pm .01$ [.3]	FOUR PLACE DECIMALS $\pm .0020$ [.051]						

CES-1XX-XX-X-X-XX

POSITION SPECIFICATIONS
 -01 THRU -50

OPTIONS
 -RA: RIGHT ANGLE (STYLE -02 ONLY)

CONTACT LEAD STYLE
 -01: "A"=.128 [3.25] (USE C-45-01-X)
 -02: "A"=.223 [5.66] (USE C-45-02-X)

ROW SPECIFICATION
 -S: SINGLE (USE CES-XX-S)

PLATING SPECIFICATIONS
 -T: TIN - SPECIFY -T IN CONTACT SUFFIX -X
 -G: GOLD - SPECIFY -G IN CONTACT SUFFIX -X
 -S: SELECTIVE - SPECIFY -S IN CONTACT SUFFIX -X
 -F: FLASH GOLD - SPECIFY -F IN CONTACT SUFFIX -X
 (AVAILABLE IN -01 LEAD STYLE ONLY)

PT-1-24-01-53

NOTE:
 PINS TO ALL BE FACING THE SAME DIRECTION

PACKAGING VIEW LEAD STYLE -01 & -02
 SCALE: .75

PT-1-24-03-78

PACKAGING VIEW LEAD STYLE -02-RA
 SCALE: .75

PACKAGING TABLE (5 POS MIN)		
LEAD STYLE	TUBE	PLUG
-01 & -02	PT-1-24-01-53	TP-24 (2)
-02-RA	PT-1-24-03-78	TP-09 (2)

Do not scale from this print

PROPRIETARY NOTE
 THIS DOCUMENT CONTAINS INFORMATION CONFIDENTIAL AND PROPRIETARY TO SAMTEC INC. AND SHALL NOT BE REPRODUCED OR TRANSMITTED IN ANY FORM OR BY ANY MEANS, ELECTRONIC OR MECHANICAL, INCLUDING PHOTOCOPYING, RECORDING, OR BY ANY INFORMATION STORAGE AND RETRIEVAL SYSTEM, WITHOUT THE WRITTEN CONSENT OF SAMTEC INC.

MATERIAL:
 GLASS FILLED POLYESTER
 COLOR: BLACK

TERMINAL:
 PHOS BRONZE

samtec

520 PARK EAST BLVD. NEW ALBANY, INDIANA 47150
 PHONE (812) 944-6733 P.O. BOX 1147
 CODE 55322

MADE BY: KOLB 12-6-89

CES-1XX-XX-X-X-XX
 SHEET 1 OF 1

X-ON Electronics

Largest Supplier of Electrical and Electronic Components

Click to view similar products for [FFC & FPC Connectors](#) category:

Click to view products by [Samtec](#) manufacturer:

Other Similar products are found below :

[HFW11R-1STE1H1LF](#) [FH29B-100S-0.2SHW\(99\)](#) [FA5S008HP1](#) [FH29B-120S-0.2SHW\(99\)](#) [FH29B-80S-0.2SHW\(99\)](#) [FHS-16](#) [FPH-2022G](#)
[52610-1075](#) [52610-1275](#) [52610-1934](#) [XF3M\(1\)-1415-1B-R100](#) [501864-3091-TR225](#) [0525594033](#) [086210010340800](#) [086222026001800](#)
[52271-2869-CUT-TAPE](#) [62674-201121DLF](#) [62684-36210E9ALF](#) [52610-1675](#) [52746-1671-TR250](#) [10051922-2810EHLF](#) [6-520415-9](#)
[BD021-09A-A1-0350-0200-0550-LD](#) [SFV6R-1STE9HLF](#) [XF3M-2915-1B-R100](#) [1658549-1](#) [62674-221121ALF](#) [46214008010800](#)
[046298003000883](#) [151660622](#) [842-816-2630-035](#) [AYF530665TA](#) [AYF351525](#) [046296011930846+](#) [AYF352325A](#) [046254020000800+](#)
[FH19C-13S-0.5SH\(99\)](#) [FH39J-51S-0.3SHW\(99\)](#) [AYF355125A](#) [AYF530365TA](#) [FH29B-44S-0.2SHW\(99\)](#) [SFW5R-2STAE9LF](#) [AYF351125A](#)
[AYF350725A](#) [62684-502100AHLF](#) [FH39-61S-0.3SHW\(99\)](#) [AYF414035A](#) [10064555-172520HLF](#) [AYF212335A](#) [504754-2500](#)