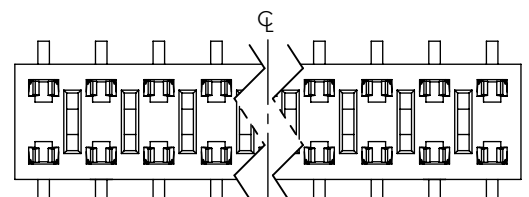


CLH-1XX-XX-X-XX-X-XX



-BE TOP VIEW

- No OF POSITIONS
-02 THRU -51
- PLATING SPEC
- L: 10µ" LIGHT SELECTIVE GOLD ON CONTACT AREA, MATTE TIN ON TAIL
 - F: 3µ" FLASH SELECTIVE GOLD IN CONTACT AREA MATTE TIN ON TAIL
 - H: 30µ" HEAVY GOLD IN CONTACT AREA 3µ" GOLD ON TAIL (ONLY OFFERED ON DV, PE & BE)
 - G: 10µ" GOLD IN CONTACT AREA 3µ" GOLD ON TAIL (NOT AVAILABLE WITH -PE & -TE)
 - LM: 10µ" LIGHT SELECTIVE GOLD IN CONTACT AREA MATTE TIN ON TAIL
 - FM: 3µ" FLASH SELECTIVE GOLD MATTE TIN ON TAIL
- OPTION
-TR: TAPE & REEL (29 POSITION MAX)
- OPTION
-P: PICK & PLACE PAD (SEE FIGURE 5)
AVAILABLE ON POSITIONS 03 THRU 50 ONLY
- A: ALIGNMENT PIN (N/A ON -PE & -TE. SEE FIG 6 & 7 SHT 2) (-4 POS MIN)
 - LC: LOCKING CLIP (N/A ON -TE. SEE FIG 6 & 7 SHT 2)
 - K: POLYIMIDE FILM PAD (AVAILABLE ON POS 03 THRU 50 ONLY) (SEE FIG 8, SHT 2) (USE K-DOT-.256-.375-.005) (AVAILABLE FOR ENTRY STYLE-DV AND -BE ONLY)
- ENTRY STYLE
- DV: SURFACE MOUNT (SEE TABLE 1 & FIG 1)
 - *-TE: TOP ENTRY (SEE TABLE 1 & FIG 2)
 - PE: PASS-THROUGH ENTRY (SEE TABLE 1 & FIG 3)
 - BE: BOTTOM MOUNT ENTRY (SEE TABLE 1 & FIG 4)
- BODY SPECIFICATION
-D: DOUBLE ROW (SEE TABLE 1)
- (* = AVAILABLE TO EXISTING CUSTOMERS ONLY)

DO NOT SCALE FROM THIS PRINT

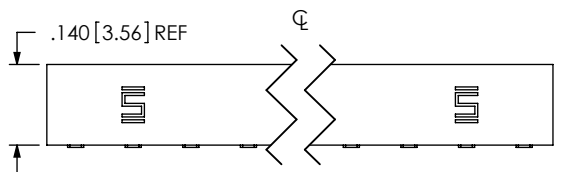
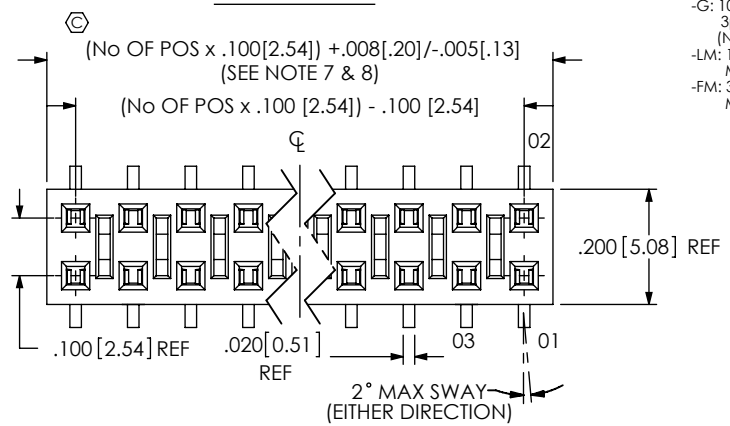


FIG 1 (-DV: SURFACE MOUNT)

TABLE 1		
ENTRY SPEC	CONTACT	INSULATOR
-DV (SEE FIG 1)	C-73-01-X-X	CLH-XX-D
-TE (SEE FIG 2)	C-73-02-X-X	CLH-XX-D
-PE (SEE FIG 3)	C-73-04-X-X	CLH-XX-D
-BE (SEE FIG 4)	C-73-01-X-X	CLH-XX-DBE

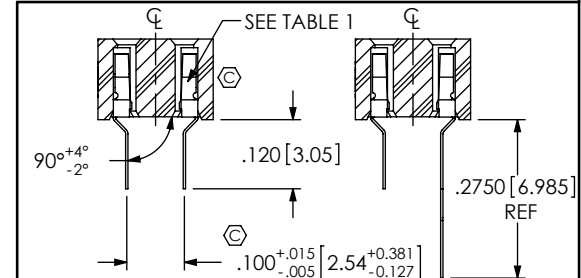


FIG 2 (-TE: TOP ENTRY) IN PROCESS

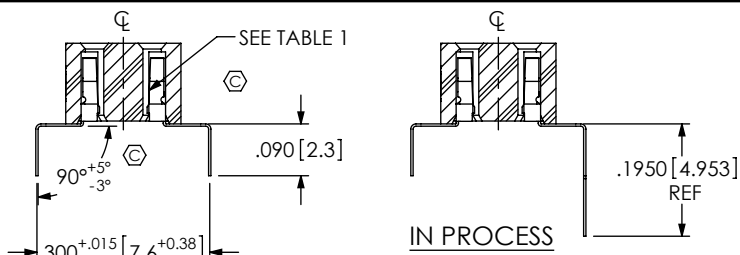


FIG 3 (-PE: PASS-THROUGH ENTRY)

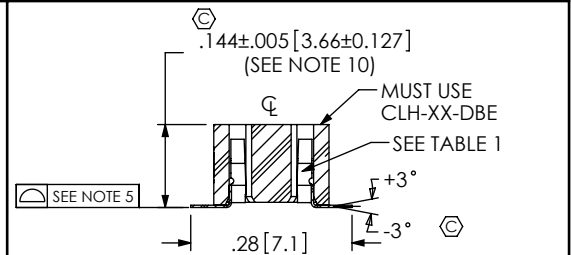
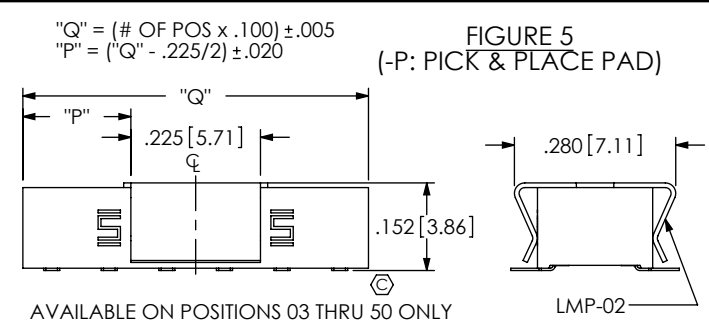


FIG 4 (-BE: BOTTOM MOUNT ENTRY)

- NOTES:
1. Ⓢ REPRESENTS A CRITICAL DIMENSION.
 2. PUSHOUT FORCE TO BE: 1 lb. MIN.
 3. [] DIMENSIONS ARE IN MILLIMETERS.
 4. PARTS TO BE SYMMETRICAL ABOUT Ⓢ.
 5. FOR POSITIONS -02 THRU -40, COPLANARITY TO BE .004; FOR POSITIONS -41 THRU -51, COPLANARITY TO BE .006.
 6. TUBE POSITIONS 03 THRU 51; LAYER PACKAGE POSITION 02. (-PE CAN BE TUBED 02 THRU 51)
 7. WILL LOSE A POSITION FOR EVERY CUT MADE ON A SOCKET STRIP; CUT FLASH TO BE .010 [0.25] MAX WITH NO FLASH ALLOWED IN HOLES OR EXTENDING BELOW LEADS.
 8. ENDWALL AFTER CUTTING: .0255 ±.003
 9. MAX BURR: .003
 10. DIMENSION TO BE MEASURED FROM BEND RADIUS.

UNLESS OTHERWISE SPECIFIED, DIMENSIONS ARE IN INCHES. TOLERANCES ARE:

DECIMALS	ANGLES
.XX: ±.01 [.3]	2°
.XXX: ±.005 [.13]	
.XXXX: ±.0020 [.051]	

PROPRIETARY NOTE
THIS DOCUMENT CONTAINS INFORMATION CONFIDENTIAL AND PROPRIETARY TO SAMTEC, INC. AND SHALL NOT BE REPRODUCED OR TRANSFERRED TO OTHER DOCUMENTS OR DISCLOSED TO OTHERS OR USED FOR ANY PURPOSE OTHER THAN THAT WHICH IT WAS OBTAINED WITHOUT THE EXPRESSED WRITTEN CONSENT OF SAMTEC, INC.



520 PARK EAST BLVD. NEW ALBANY, IN 47150
PHONE: 812-944-6733 FAX: 812-948-5047
e-Mail: info@SAMTEC.com code 55322

MATERIAL: DO NOT SCALE DRAWING SHEET SCALE: 3:1
BODY: PTFELCP, UL 94 VO. COLOR: BLACK
CONTACT: 521 PHOSPHOR BRONZE FULL HARD

DESCRIPTION: SMA RIGHT ANGLE, JACK, 50 OHM
DWG. NO. CLH-1XX-XX-X-XX-X-XX

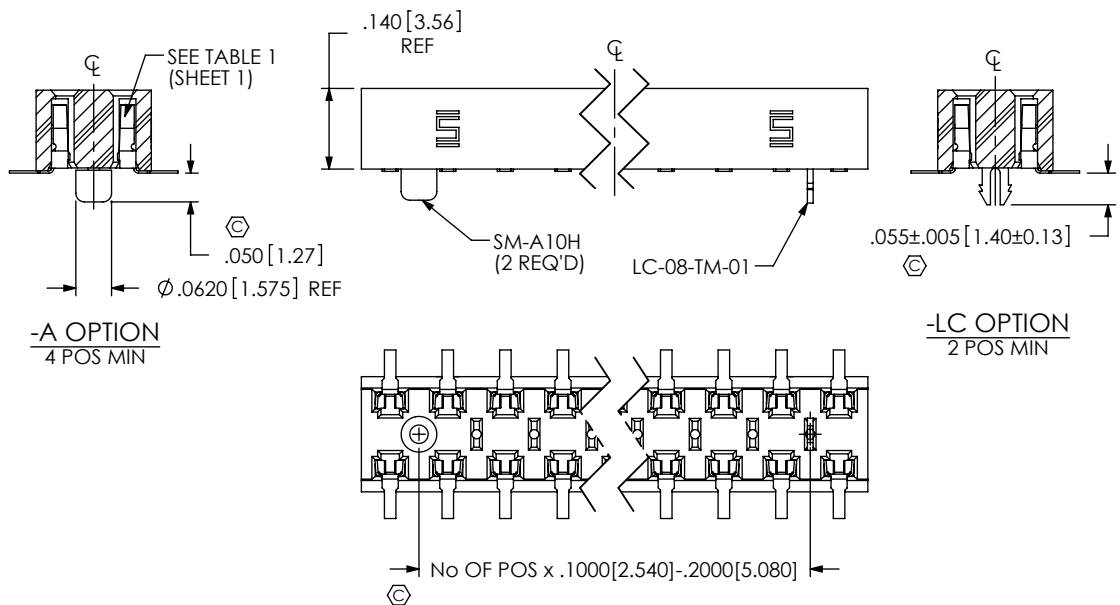


FIG 6
 (-DV-A & -LC: SURFACE MOUNT WITH ALIGNMENT PIN OR LOCKING CLIP OPTION)
 [DIFFERENT AS SHOWN, OTHERWISE SAME AS FIG 1]

PACKAGE AS SHOWN
 (SEE NOTE 6)

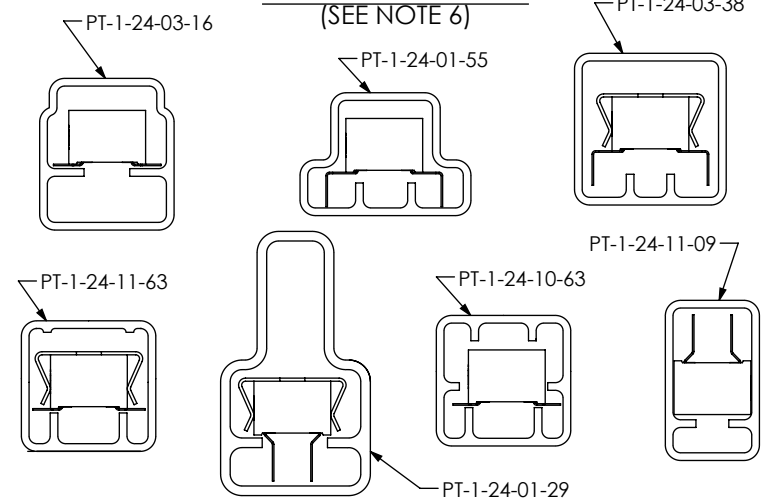


TABLE 2

STYLE	PKG TUBE	PLUG
-DV -A, -BE -A, -DV -LC, -BE -LC	PT-1-24-10-63	TP-24
-DV, -BE	PT-1-24-03-16	TP-24
-BE-P	PT-1-24-10-63	TP-24
-PE	PT-1-24-01-55	TP-24
-PE-P	PT-1-24-03-38	TP-03
-TE	PT-1-24-11-09	TP-09
-TE-P	PT-1-24-01-29	TP-03
-DV-P, -DV-P-A, -BE-P-A, -DV-P-LC, -BE-P-LC, -DV-K, -DV-K-LC, -BE-K, DV-A-K, BE-K-LC, -BE-A-K	PT-1-24-11-63	TP-09

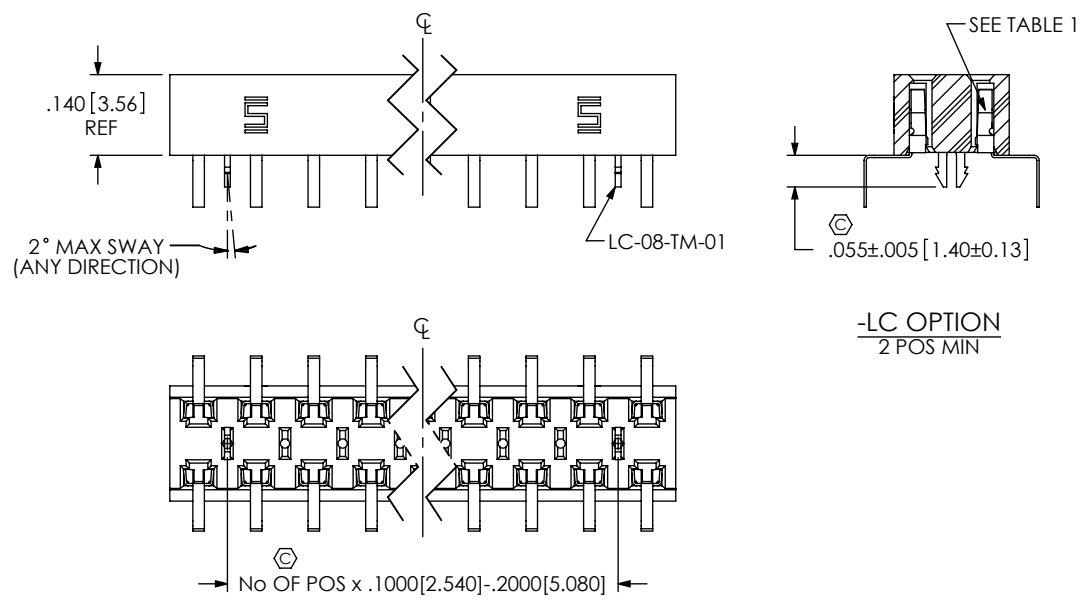


FIG 7
 (-PE-LC: DUAL ENTRY WITH LOCKING CLIP OPTION)
 [DIFFERENT AS SHOWN, OTHERWISE SAME AS FIG 3]

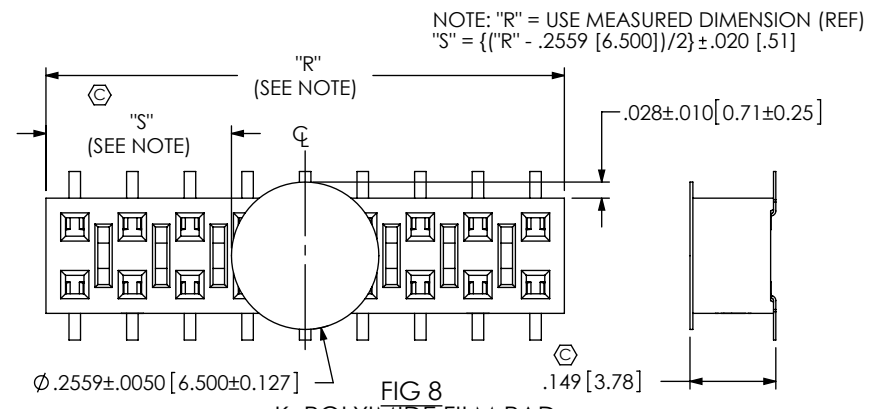


FIG 8
 -K: POLYIMIDE FILM PAD
 AVAILABLE ON POS 03 THRU 50 ONLY.

PROPRIETARY NOTE
 THIS DOCUMENT CONTAINS INFORMATION
 CONFIDENTIAL AND PROPRIETARY TO
 SAMTEC, INC. AND SHALL NOT BE REPRODUCED
 OR TRANSFERRED TO OTHER DOCUMENTS OR
 DISCLOSED TO OTHERS OR USED FOR ANY
 PURPOSE OTHER THAN THAT WHICH IT WAS
 OBTAINED WITHOUT THE EXPRESSED WRITTEN
 CONSENT OF SAMTEC, INC.

samtec
 520 PARK EAST BLVD, NEW ALBANY, IN 47150
 PHONE: 812-944-6733 FAX: 812-948-5047
 e-Mail info@SAMTEC.com code 55322

DO NOT SCALE DRAWING
 SHEET SCALE: 3:1

DESCRIPTION: SMA RIGHT ANGLE, JACK, 50 OHM
 DWG. NO. CLH-1XX-XX-X-XX-X-XX
 BY: ALVIN W 9/10/2010 SHEET 2 OF 2

X-ON Electronics

Largest Supplier of Electrical and Electronic Components

Click to view similar products for [Headers & Wire Housings](#) category:

Click to view products by [Samtec](#) manufacturer:

Other Similar products are found below :

[95000-104TRLF](#) [10135584-644402LF](#) [DF62W-EP2022PCA](#) [95000-106TRLF](#) [DF62W-2022SCA](#) [DF62W-EP2022PC](#) [2203348](#) [DF62W-2022SC](#) [1084018](#) [1029039](#) [1084017](#) [802-10-012-10-002000](#) [1112640](#) [1112639](#) [000-34000](#) [0009482033](#) [0009507031](#) [57102-S06-03LF](#) [57202-S52-04LF](#) [PCN6-15S-2.5E](#) [0039019024](#) [58102-G61-06LF](#) [582553-1](#) [0009485154](#) [0009508121](#) [0022285053](#) [0050291907](#) [018731A](#) [LY20-4P-DT1-P1E-BR](#) [02.125.8002.8](#) [60101931](#) [60598-1 \(Cut Strip\)](#) [M1625-3R/100](#) [61062-3](#) [61082-181009](#) [636-1427](#) [638009-1](#) [641938-9](#) [641991-4](#) [644168-1](#) [647662-1](#) [65039-019ELF](#) [65817-002LF](#) [65817-015LF](#) [65863-015LF](#) [66207-023LF](#) [67016-026LF](#) [67046-001LF](#) [67095-007LF](#) [67230-005LF](#)