

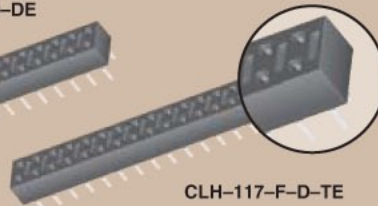
(2,54mm) .100"

CLH SERIES

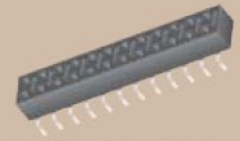
CLH-115-F-D-DE



CLH-117-F-D-TE



CLH-112-F-D-PE



THROUGH-HOLE LOW PROFILE SOCKET

SPECIFICATIONS

For complete specifications and recommended PCB layouts see www.samtec.com?CLH

Insulator Material:

Black Liquid Crystal Polymer



Contact Material:

Phosphor Bronze

Operating Temp Range:

-65°C to +125°C with Gold

-65°C to +105°C with Tin

Plating:

Au or Sn over

50µ" (1,27µm) Ni

Contact Resistance:

10 mΩ max

Insertion Depth:

(2,67mm) .105" to

(3,43mm) .135"

plug from top, (3,18mm) .125"

min plus board thickness plug

Insertion Force:

4.0oz (1,11N) average

Normal Force:

50 grams (0,48N)

Withdrawal Force:

1.1oz (0,31N) average

Max Cycles:

100 with 10µ" (0,25µm) Au

RoHS Compliant:

Yes

Processing:

Lead-Free Solderable:

Yes

CLH

1

NO. PINS PER ROW

PLATING OPTION

D

ENTRY OPTION

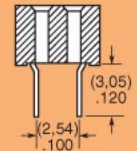
Mates with:
TSW, MTSW, HTSW,
HMTSW, DW, EW, ZW,
TLW, TSM, MTLW

-F
= Pre-plated Gold flash on contact,
75µ" (1,91µm) Matte Tin on tail

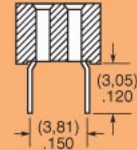
-L
= Pre-plated 10µ" (0,25µm)
Gold on contact,
75µ" (1,91µm) Matte Tin on tail

Note: Other Gold plating options available. Contact Samtec.

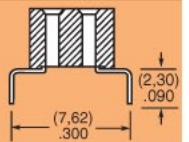
-TE
= Top Entry



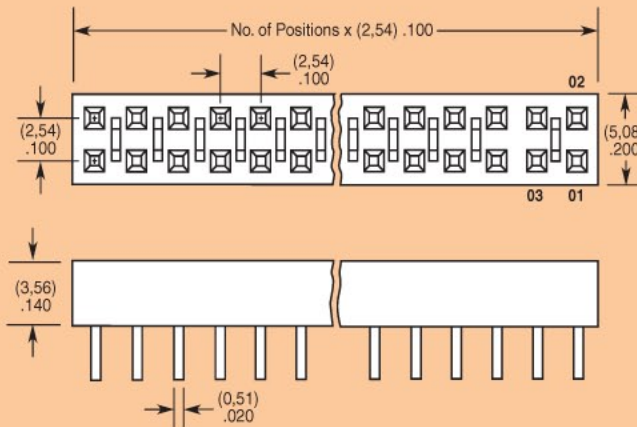
-DE
= Dual Entry (Top or Bottom Entry)
Cannot be used with plated through-holes for bottom entry.



-PE
= Pass-Through (Top or Bottom Entry)



02 thru 50



Note: Some lengths, styles and options are non-standard, non-returnable.

Due to technical progress, all designs, specifications and components are subject to change without notice.

WWW.SAMTEC.COM

X-ON Electronics

Largest Supplier of Electrical and Electronic Components

Click to view similar products for [Headers & Wire Housings](#) category:

Click to view products by [Samtec](#) manufacturer:

Other Similar products are found below :

[892-18-020-10-001101](#) [58102-G61-06LF](#) [582553-1](#) [0009485154](#) [009176003701906](#) [0050291907](#) [LY20-4P-DT1-P1E-BR](#) [02.125.8002.8](#)
[609-3404](#) [61062-3](#) [61082-181009](#) [622-3653LF](#) [63453-116](#) [636-1030](#) [636-1427](#) [636-3427](#) [636-4007](#) [641938-9](#) [641991-4](#) [644827-2](#) [65817-](#)
[010LF](#) [65817-015LF](#) [65863-015LF](#) [66207-023LF](#) [67095-007LF](#) [67601157](#) [68645-018](#) [68648-049](#) [70.362.1628.0](#) [70-4210](#) [70-4226B](#) [70-](#)
[4853B](#) [707-5020](#) [707-5028](#) [71.350.2428.0](#) [71918-208LF](#) [71961-016LF](#) [733-134](#) [733-162](#) [754199-000](#) [760-3052](#) [787-8014-00](#) [79531-3000](#)
[FCN-360C032-B](#) [FCN-367T-T012/H](#) [FCN-723D010/2](#) [80.063.4001.1](#) [800-90-001-10-001000](#) [800-90-010-10-002000](#) [801-43-002-10-013000](#)