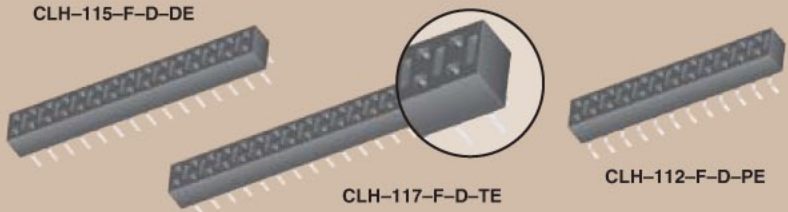


(2,54mm) .100"

CLH SERIES



THROUGH-HOLE LOW PROFILE SOCKET

SPECIFICATIONS

For complete specifications and recommended PCB layouts see www.samtec.com?CLH

Insulator Material:

Black Liquid Crystal Polymer



Contact Material:
Phosphor Bronze

Operating Temp Range:
-65°C to +125°C with Gold
-65°C to +105°C with Tin

Plating:

Au or Sn over 50µ" (1,27µm) Ni

Contact Resistance:
10 mΩ max

Insertion Depth:
(2,67mm) .105" to (3,43mm) .135" plug from top, (3,18mm) .125" min plus board thickness plug from bottom

Insertion Force:
4.0oz (1,11N) average

Normal Force:
50 grams (0,48N)

Withdrawal Force:
1.1oz (0,31N) average

Max Cycles:
100 with 10µ" (0,25µm) Au

RoHS Compliant:
Yes

Processing:

Lead-Free Solderable:
Yes

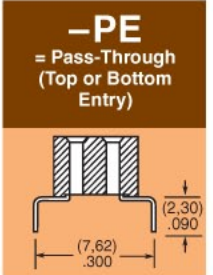
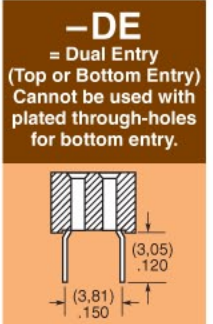
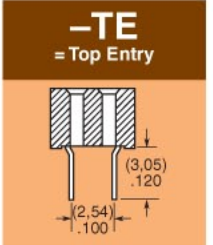


Mates with:
TSW, MTSW, HTSW, HMTSW, DW, EW, ZW, TLW, TSM, MTLW

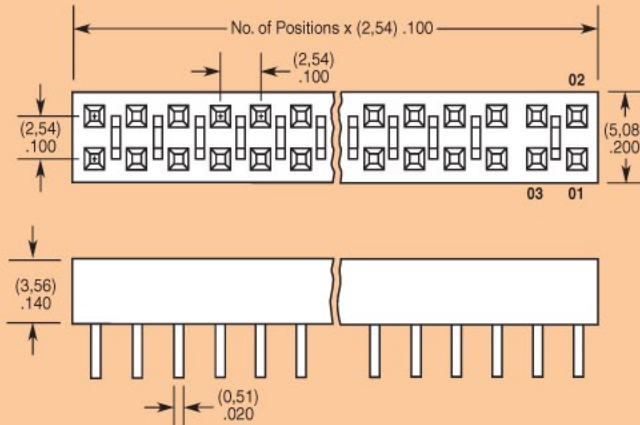
-F
= Pre-plated Gold flash on contact, 75µ" (1,91µm) Matte Tin on tail

-L
= Pre-plated 10µ" (0,25µm) Gold on contact, 75µ" (1,91µm) Matte Tin on tail

Note: Other Gold plating options available. Contact Samtec.



02 thru 50



Note: Some lengths, styles and options are non-standard, non-returnable.

Due to technical progress, all designs, specifications and components are subject to change without notice.

WWW.SAMTEC.COM

X-ON Electronics

Largest Supplier of Electrical and Electronic Components

Click to view similar products for [Samtec manufacturer](#):

Other Similar products are found below :

[ESQT-135-03-F-D-380](#) [QTE-060-01-L-D-A](#) [MSAS-179-ZUGG-18](#) [MTSW-103-07-F-S-240](#) [BCS-116-L-S-TE](#) [ERF8-020-05.0-S-DV-K-TR](#)
[ERF8-060-05.0-L-DV-K-TR](#) [IDMD-10-T-12.00-A-G-R](#) [SFML-115-01-S-D](#) [SFML-125-01-S-D](#) [LSHM-120-02.5-L-DV-A-N-K-TR](#) [ESQ-110-14-G-D](#) [ESQT-125-03-F-D-310](#) [SO-0515-01-01-02](#) [FJH-50-D-12.00-4](#) [CES-150-01-T-D](#) [QTE-040-04-L-D-A](#) [QTH-020-04-F-D-DP-A-K-TR](#)
[QTH-060-01-F-D-A](#) [QTH-090-04-L-D-A](#) [TCSD-10-S-05.00-01-F-N](#) [TCSD-15-D-02.00-01-N](#) [TFM-115-02-L-DH](#) [TFM-120-12-S-D-LC](#)
[TFML-140-02-S-D](#) [TLW-107-05-G-D](#) [BDL-136-T-E](#) [TSS-132-01-G-S](#) [TST-113-04-S-D-RA](#) [TSW-105-14-F-D](#) [MMS-110-01-H-DH](#) [HPF-03-02-T-S](#) [DW-25-11-L-D-450](#) [ERF8-020-01-L-D-RA-L-TR](#) [ERF8-040-05.0-L-DV-TR](#) [SL-120-T-10](#) [SLM-115-01-S-D](#) [CLP-132-02-G-D](#)
[TFC-125-02-F-D-A-K](#) [TSW-202-07-T-S](#) [ISDF-25-D-M](#) [IPT1-105-01-S-D-RA](#) [IPL1-125-01-S-D-RA](#) [ICO-422-L-GT](#) [HTSW-116-15-L-S-LL](#)
[HTSW-103-08-L-S-RA](#) [ESQ-116-33-T-T](#) [ERM8-020-02.0-S-DV-TR](#) [TCSD-10-D-06.00-01-N](#) [TCSD-20-D-12.00-01-N](#)