

# ACCLIMATE™

## FLEXIBLE SEALED CIRCULAR SYSTEMS



### FEATURES & BENEFITS

- Metal or plastic, 12 mm, 16 mm and 22 mm shells
- Choice of pin configuration and gender
- Bayonet-style latching systems meet IP68 requirements
- Cost-effective crimp version available ([samtec.com/crimp](http://samtec.com/crimp))
- Variety of end 2 options for panel-to-board applications
- Mini push-pull latching system meets IP67 requirements for dust and waterproof sealing



Kitted components for efficient field assembly



Dust caps available

#### ACX-12

MAX

5.0  
A m p s

No. of Pins  
2, 4, 5

#### ACX-16

MAX

11.6  
A m p s

No. of Pins  
2, 10, 14

#### ACX-22

MAX

8.3  
A m p s

No. of Pins  
8, 20, 30

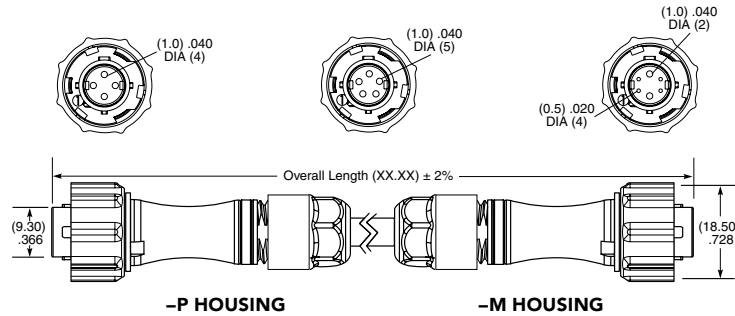
### KEY SPECIFICATIONS

INSULATOR MATERIAL	TERMINAL MATERIAL	CONTACT MATERIAL	OPERATING TEMP RANGE	HOUSING
Thermoplastic	Brass	Brass/BeCu	-10 °C to +80 °C (ACX-12) -10 °C to +105 °C (ACX-16) -10 °C to +105 °C (ACX-22)	Thermoplastic (-P) Zinc Alloy (-M)

## 12 mm • IP68 SEALED CABLE ASSEMBLY

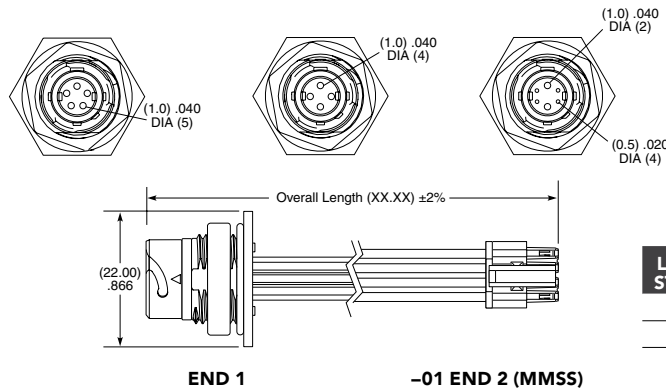
SERIES	12	LEAD STYLE	PLATING OPTION	LENGTH	END 1	END 2	HOUSING MATERIAL	KEYING OPTIONS
ACP Terminal		<b>-01</b> = 1.0 mm DIA (4) terminals or sockets (24 AWG)	<b>-G</b> = 10 μ" (0.25 μm) Gold over 50 μ" (1.27 μm) Ni on contact	<b>-"XX.XX"</b> = Length in meters (00.25 m min. to 50.00 m max.)  Standard lengths	<b>-T</b> = Terminal	<b>-T</b> = Terminal (ACP only)	<b>-P</b> = Plastic	<b>-1</b> = Orange, 45°
ACR Socket		<b>-02</b> = 1.0 mm DIA (5) terminals or sockets (24 AWG)			<b>-S</b> = Socket (N/A with End 2 -T)	<b>-S</b> = Socket (ACP only)	<b>-M</b> = Metal	
		<b>-05</b> = 1.0 mm DIA (2) terminals or sockets (24 AWG) + 0.5 mm DIA (4) terminals or sockets (28 AWG)				<b>-BC</b> = Blunt Cut		
						<b>-S1</b> = Connector determine by lead style. See chart for end 2 connector used. (ACR only)		

**ACP-12**  
End 1/2 Mates:  
ACP-12  
ACR-12  
ACR-12

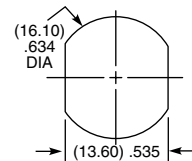


View complete specifications at: [samtec.com?ACP-12](http://samtec.com?ACP-12)

**ACR-12**  
End 1 Mates:  
ACP-12  
ACR-12  
End 2 Mates:  
IPL1



### PANEL OPENING



LEAD STYLE	-S1 END 2	MATES WITH -S1
-01	MMSS (24 AWG)	IPL1
-02	MMSS (24 AWG)	
-05	MMSS (24 AWG (2x), 28 AWG (4x))	

View complete specifications at: [samtec.com?ACR-12](http://samtec.com?ACR-12)

CURRENT RATING		
LEAD STYLE	PINS POWERED	CCC per PIN
-01	4	3.8 A
-02	5	3.6 A
-05	2 (plus 4 signal pins powered @ 1.2 A)	5.0 A

**KITS AVAILABLE**  
[www.samtec.com?ACPK-12](http://www.samtec.com?ACPK-12)  
[www.samtec.com?ACR-12](http://www.samtec.com?ACR-12)

For general reference only. Contact [AccliMate@samtec.com](mailto:AccliMate@samtec.com) for applications requiring higher current carrying capacity.

**Note:**  
Some lengths, styles and options are non-standard, non-returnable.

## X-ON Electronics

Largest Supplier of Electrical and Electronic Components

*Click to view similar products for [Cable Mounting & Accessories](#) category:*

*Click to view products by [Samtec](#) manufacturer:*

Other Similar products are found below :

[582603-1](#) [009333-000](#) [727844N003](#) [747](#) [809090N001](#) [843188-000](#) [8666](#) [967279N002](#) [DB-11](#) [1300840039](#) [1300900096](#) [1301800416](#)  
[1302264450](#) [1300830184](#) [1300830729](#) [1300900039](#) [1301580036](#) [1301850553](#) [1301860939](#) [1302000074](#) [1302261315](#) [1302264431](#)  
[1337706-2](#) [APA18-AK](#) [1724](#) [1-787307-1](#) [185491N001](#) [1868](#) [HP-6N](#) [C-202-C](#) [202C221-13-0](#) [CA7308-000](#) [8S23-75FR-CS8184](#) [2684](#) [9648](#)  
[3089](#) [988382-000](#) [A72821-000](#) [AA401](#) [173506-000](#) [1823](#) [202C292-13-0](#) [202C302-13-0](#) [2109](#) [300625](#) [3330](#) [3412](#) [356247-1](#) [M9142](#)  
[M9143](#)