

# ACCLIMATE™

## FLEXIBLE SEALED CIRCULAR SYSTEMS



### FEATURES & BENEFITS

- Metal or plastic, 12 mm, 16 mm and 22 mm shells
- Choice of pin configuration and gender
- Bayonet-style latching systems meet IP68 requirements
- Cost-effective crimp version available ([samtec.com/crimp](http://samtec.com/crimp))
- Variety of end 2 options for panel-to-board applications
- Mini push-pull latching system meets IP67 requirements for dust and waterproof sealing



Kitted components for efficient field assembly



Dust caps available

#### ACX-12

MAX

5.0  
A m p s

No. of Pins  
2, 4, 5

#### ACX-16

MAX

11.6  
A m p s

No. of Pins  
2, 10, 14

#### ACX-22

MAX

8.3  
A m p s

No. of Pins  
8, 20, 30

### KEY SPECIFICATIONS

INSULATOR MATERIAL	TERMINAL MATERIAL	CONTACT MATERIAL	OPERATING TEMP RANGE	HOUSING
Thermoplastic	Brass	Brass/BeCu	-10 °C to +80 °C (ACX-12) -10 °C to +105 °C (ACX-16) -10 °C to +105 °C (ACX-22)	Thermoplastic (-P) Zinc Alloy (-M)

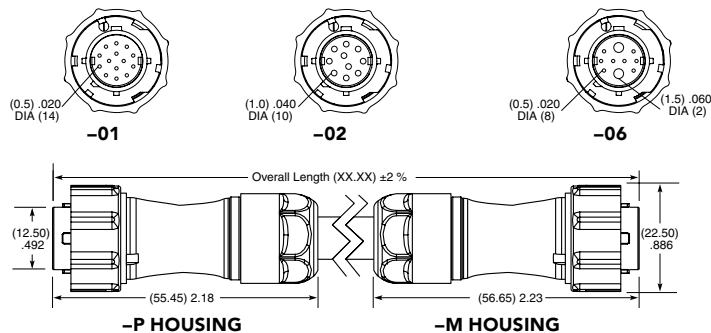
# ACCLIMATE™

## 16 mm • IP68 SEALED CABLE ASSEMBLY

SERIES	16	LEAD STYLE	PLATING OPTION	LENGTH	END 1	END 2	HOUSING MATERIAL	KEYING OPTIONS
ACP Terminal		<b>-01</b> = 0.5 mm DIA (14) terminals or sockets (28 AWG)	<b>-G</b> = 10 μ" (0.25 μm) Gold over 50 μ" (1.27 μm) Ni on contact	<b>-"XX.XX"</b> = Length in meters (00.25 m min. to 50.00 m max.) Standard lengths	<b>-T</b> = Terminal	<b>-T</b> = Terminal (ACP only)	<b>-P</b> = Plastic	<b>-1</b> = Orange, 45°
ACR Socket		<b>-02</b> = 1.0 mm DIA (10) terminals or sockets (24 AWG)			<b>-S</b> = Socket (N/A with End 2 -T)	<b>-S</b> = Socket (ACP only)	<b>-M</b> = Metal	
		<b>-06</b> = 1.5 mm DIA (2) terminals or sockets (16 AWG) + 0.5 mm DIA (8) terminals or sockets (28 AWG)				<b>-BC</b> = Blunt Cut		
						<b>-S1</b> = Connector determine by lead style. See chart for end 2 connector used. (ACR only)		

### ACP-16

End 1/2 Mates:  
ACP-16  
ACR-16  
ACRK-16

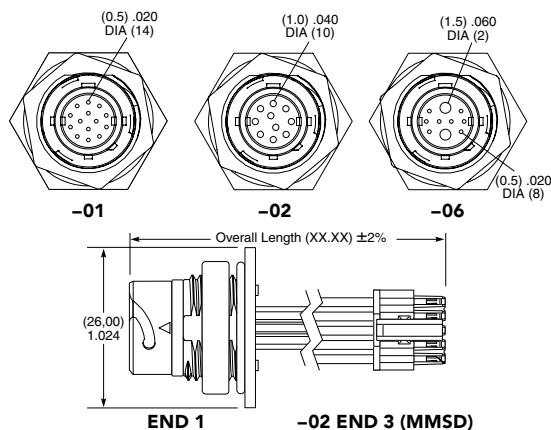


View complete specifications at: [samtec.com?ACP-16](http://samtec.com?ACP-16)

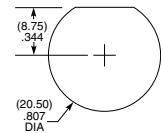
### ACR-16

End 1 Mates:  
ACP-16  
ACPK-16

End 2 Mates:  
TFM, IPL1, MPT



### PANEL OPENING



LEAD STYLE	-S1 END 2	MATES WITH -S1
-01	SFSD (28 AWG)	TFM
-02	MMSD (24 AWG)	IPL1
-06	1 x SFSD (28 AWG)	TFM
	1 x MPSS (16 AWG)	MPT

View complete specifications at: [samtec.com?ACR-16](http://samtec.com?ACR-16)

### CURRENT RATING

LEAD STYLE	PINS POWERED	CCC per PIN
-01	14	1.3 A
-02	10	2.6 A
-06	2 (plus 8 signal pins powered @ 1 A)	11.6 A

For general reference only. Contact [AccliMate@samtec.com](mailto:AccliMate@samtec.com) for applications requiring higher current carrying capacity.

### KITS AVAILABLE

[www.samtec.com?ACPK-16](http://www.samtec.com?ACPK-16)  
[www.samtec.com?ACRK-16](http://www.samtec.com?ACRK-16)

**Note:**  
Some lengths, styles and options are non-standard, non-returnable.

## X-ON Electronics

Largest Supplier of Electrical and Electronic Components

*Click to view similar products for [Cable Mounting & Accessories](#) category:*

*Click to view products by [Samtec](#) manufacturer:*

Other Similar products are found below :

[582603-1](#) [009333-000](#) [727844N003](#) [747](#) [809090N001](#) [843188-000](#) [8666](#) [967279N002](#) [DB-11](#) [1300840039](#) [1300900096](#) [1301800416](#)  
[1302264450](#) [1300830184](#) [1300830729](#) [1300900039](#) [1301580036](#) [1301850553](#) [1301860939](#) [1302000074](#) [1302261315](#) [1302264431](#)  
[1337706-2](#) [APA18-AK](#) [1724](#) [1-787307-1](#) [185491N001](#) [1868](#) [HP-6N](#) [C-202-C](#) [202C221-13-0](#) [CA7308-000](#) [8S23-75FR-CS8184](#) [2684](#) [9648](#)  
[3089](#) [988382-000](#) [A72821-000](#) [AA401](#) [173506-000](#) [1823](#) [202C292-13-0](#) [202C302-13-0](#) [2109](#) [300625](#) [3330](#) [3412](#) [356247-1](#) [M9142](#)  
[M9143](#)