

# ACCLIMATE™

## FLEXIBLE SEALED CIRCULAR SYSTEMS



### FEATURES & BENEFITS

- Metal or plastic, 12 mm, 16 mm and 22 mm shells
- Choice of pin configuration and gender
- Bayonet-style latching systems meet IP68 requirements
- Cost-effective crimp version available ([samtec.com/crimp](http://samtec.com/crimp))
- Variety of end 2 options for panel-to-board applications
- Mini push-pull latching system meets IP67 requirements for dust and waterproof sealing



Kitted components for efficient field assembly



Dust caps available

#### ACX-12

MAX

5.0  
A m p s

No. of Pins  
2, 4, 5

#### ACX-16

MAX

11.6  
A m p s

No. of Pins  
2, 10, 14

#### ACX-22

MAX

8.3  
A m p s

No. of Pins  
8, 20, 30

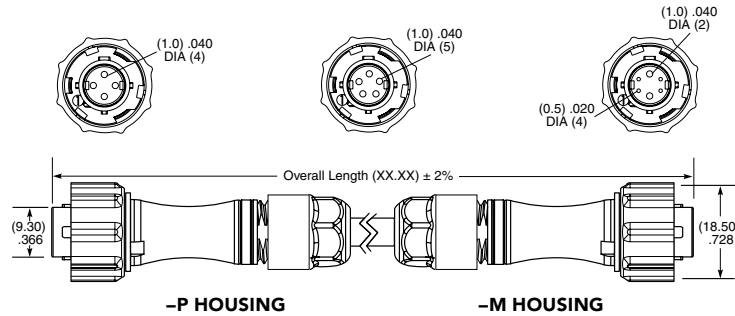
### KEY SPECIFICATIONS

INSULATOR MATERIAL	TERMINAL MATERIAL	CONTACT MATERIAL	OPERATING TEMP RANGE	HOUSING
Thermoplastic	Brass	Brass/BeCu	-10 °C to +80 °C (ACX-12) -10 °C to +105 °C (ACX-16) -10 °C to +105 °C (ACX-22)	Thermoplastic (-P) Zinc Alloy (-M)

## 12 mm • IP68 SEALED CABLE ASSEMBLY

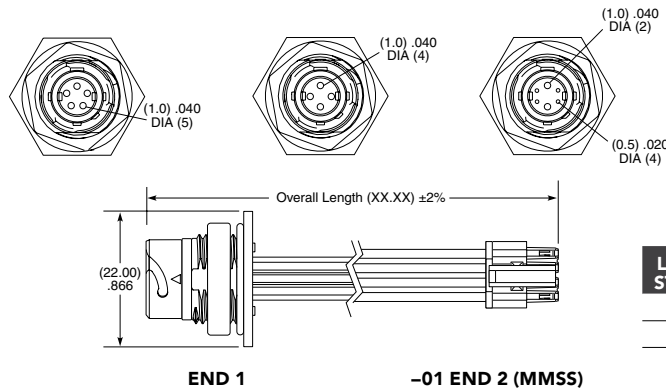
SERIES	12	LEAD STYLE	PLATING OPTION	LENGTH	END 1	END 2	HOUSING MATERIAL	KEYING OPTIONS
<b>ACP</b> Terminal		<b>-01</b> = 1.0 mm DIA (4) terminals or sockets (24 AWG)	<b>-G</b> = 10 μ" (0.25 μm) Gold over 50 μ" (1.27 μm) Ni on contact	<b>-"XX.XX"</b> = Length in meters (00.25 m min. to 50.00 m max.) Standard lengths	<b>-T</b> = Terminal	<b>-T</b> = Terminal (ACP only)	<b>-P</b> = Plastic	<b>-1</b> = Orange, 45°
<b>ACR</b> Socket		<b>-02</b> = 1.0 mm DIA (5) terminals or sockets (24 AWG)			<b>-S</b> = Socket (N/A with End 2 -T)	<b>-S</b> = Socket (ACP only)	<b>-M</b> = Metal	
		<b>-05</b> = 1.0 mm DIA (2) terminals or sockets (24 AWG) + 0.5 mm DIA (4) terminals or sockets (28 AWG)				<b>-BC</b> = Blunt Cut		
						<b>-S1</b> = Connector determine by lead style. See chart for end 2 connector used. (ACR only)		

**ACP-12**  
End 1/2 Mates:  
ACP-12  
ACR-12  
ACRK-12

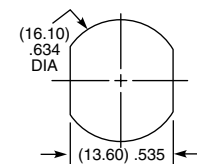


View complete specifications at: [samtec.com?ACP-12](http://samtec.com?ACP-12)

**ACR-12**  
End 1 Mates:  
ACP-12  
ACPK-12  
End 2 Mates:  
IPL1



### PANEL OPENING



LEAD STYLE	-S1 END 2	MATES WITH -S1
-01	MMSS (24 AWG)	IPL1
-02	MMSS (24 AWG)	
-05	MMSS (24 AWG (2x), 28 AWG (4x))	

View complete specifications at: [samtec.com?ACR-12](http://samtec.com?ACR-12)

CURRENT RATING		
LEAD STYLE	PINS POWERED	CCC per PIN
-01	4	3.8 A
-02	5	3.6 A
-05	2 (plus 4 signal pins powered @ 1.2 A)	5.0 A

KITS AVAILABLE
<a href="http://www.samtec.com?ACPK-12">www.samtec.com?ACPK-12</a>
<a href="http://www.samtec.com?ACRK-12">www.samtec.com?ACRK-12</a>

For general reference only. Contact [AccliMate@samtec.com](mailto:AccliMate@samtec.com) for applications requiring higher current carrying capacity.

**Note:**  
Some lengths, styles and options are non-standard, non-returnable.

## X-ON Electronics

Largest Supplier of Electrical and Electronic Components

*Click to view similar products for [Standard Circular Connector](#) category:*

*Click to view products by [Samtec](#) manufacturer:*

Other Similar products are found below :

[5M2530B10P](#) [600259N006](#) [600273N007](#) [6134-336-13149](#) [6134-337-11149](#) [6134-337-2390](#) [6134-341-17149](#) [6280-4SG-516](#) [6280-7SG-3DC](#)  
[6290](#) [6291A](#) [66200A-10](#) [680-SMG](#) [681-PMG](#) [CXS3102A14S2P](#) [CXS3102A181S](#) [7251-5SG-300](#) [7271-6SG-300](#) [7282-3PG-300-CH3](#) [75-](#)  
[474618-01S](#) [75-474618-04P](#) [75-474618-04S](#) [799539-000](#) [MI8-SE](#) [805-005-07NF11-19PC](#) [805-005-07NF15-7PA](#) [8280-4PG-516](#) [8280-7PG-](#)  
[519](#) [8282-5PG-519](#) [836783-1](#) [MP-4102-25P-C](#) [862256-1](#) [864019-2](#) [866857-1](#) [867865-1](#) [PT01SP-14-18P](#) [PT08P-14-5S](#) [PTSF06SE-14-12S](#)  
[120-1833-000](#) [QCM019PC2DC012B](#) [1-2069279-1](#) [121583-0217](#) [121667-0020](#) [129591AU](#) [1000B BULK](#) [RD10A16-19-P6CS051/1](#)  
[RD10A20-31-P8CS051/1](#) [RD16A14-12-S6CS051/2](#) [1301240290](#) [1301240347](#) [1301860202](#)