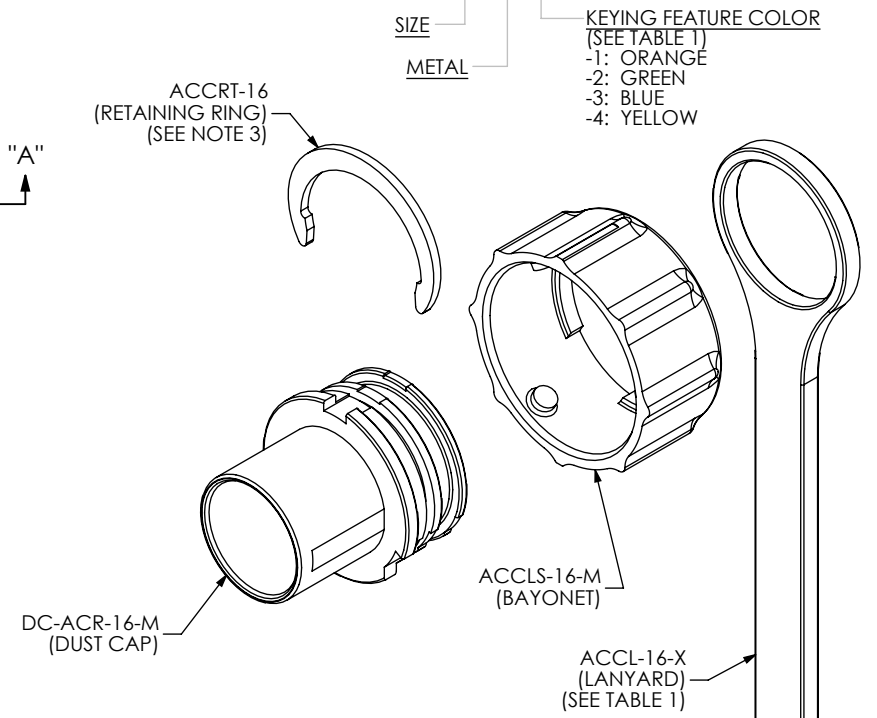
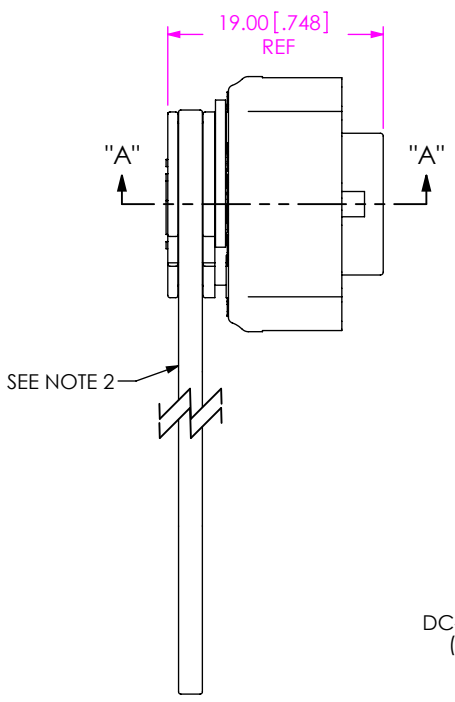
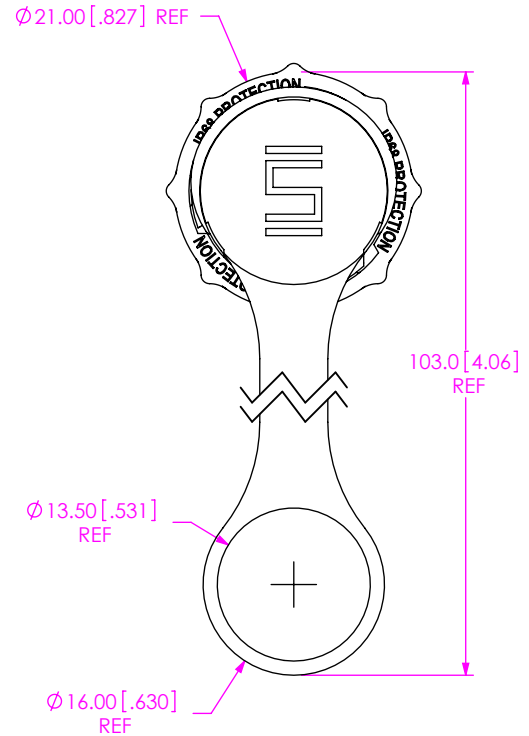


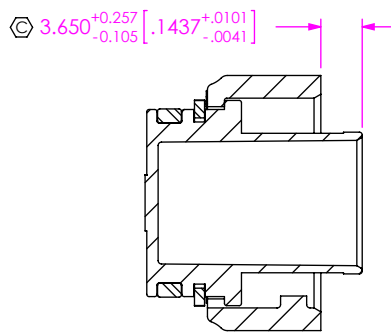
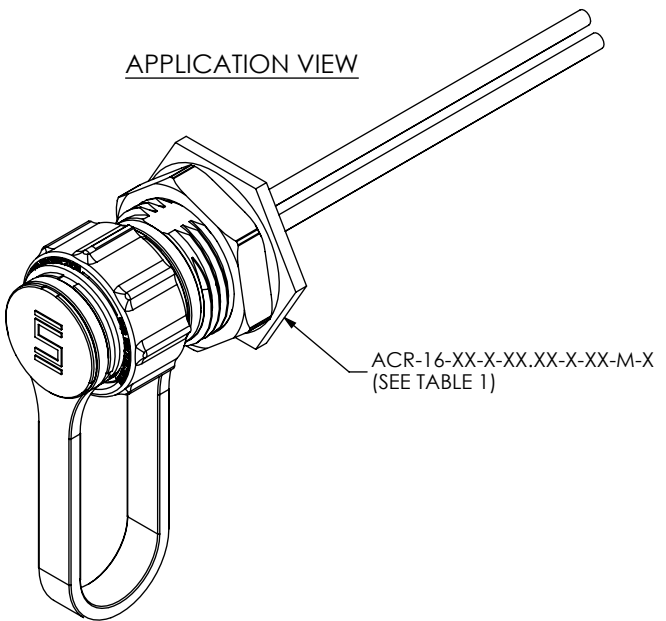
DO NOT
SCALE FROM
THIS PRINT



SIZE
METAL

KEYING FEATURE COLOR
(SEE TABLE 1)
-1: ORANGE
-2: GREEN
-3: BLUE
-4: YELLOW

APPLICATION VIEW



SECTION "A"- "A"

TABLE 1

CORRESPONDING CABLE PART NUMBER	KEYING FEATURE COLOR	ACCL-16-X
ACR-16-XX-X-XX-XX-X-XX-M-1	-1	ACCL-16-1
ACR-16-XX-X-XX-XX-X-XX-M-2	-2	ACCL-16-2
ACR-16-XX-X-XX-XX-X-XX-M-3	-3	ACCL-16-3
ACR-16-XX-X-XX-XX-X-XX-M-4	-4	ACCL-16-4

NOTES:

1. C REPRESENTS A CRITICAL DIMENSION.
2. ACCL-16-X MUST SEAT IN GROOVE IN DC-ACR-16-M.
3. SNAP ACCRT-16 INTO GROOVE ON DC-ACR-16-M.

UNLESS OTHERWISE SPECIFIED,
DIMENSIONS ARE IN MILLIMETERS.
TOLERANCES ARE:
DECIMALS ANGLES
X.X: ±0.3 [.01] 2°
X.XX: ±0.13 [.005]
X.XXX: ±0.051 [.0020]

PROPRIETARY NOTE
THIS DOCUMENT CONTAINS INFORMATION
CONFIDENTIAL AND PROPRIETARY TO
SAMTEC, INC. AND SHALL NOT BE REPRODUCED
OR TRANSFERRED TO OTHER DOCUMENTS OR
DISCLOSED TO OTHERS OR USED FOR ANY
PURPOSE OTHER THAN THAT WHICH IT WAS
OBTAINED WITHOUT THE EXPRESSED WRITTEN
CONSENT OF SAMTEC, INC.



520 PARK EAST BLVD, NEW ALBANY, IN 47150
PHONE: 812-944-6733 FAX: 812-948-5047
e-Mail: info@SAMTEC.com code 53322

MATERIAL: DC-ACR-16-M: ZINC ALLOY
ACCLS-16-M: ZINC ALLOY
ACCRT-16: STAINLESS STEEL
ACCL-16-X: SILICONE

DO NOT SCALE DRAWING SHEET SCALE: 1.5:1

DESCRIPTION:
ACCLIMATE CIRC. PANEL DUST CAP

DWG. NO. DCA-ACR-16-M-X

BY: D.SCHMELZ 04/26/2010 SHEET 1 OF 1

X-ON Electronics

Largest Supplier of Electrical and Electronic Components

Click to view similar products for [Standard Circular Connector](#) category:

Click to view products by [Samtec](#) manufacturer:

Other Similar products are found below :

[5M2530B10P](#) [600259N006](#) [600273N007](#) [6134-336-13149](#) [6134-337-11149](#) [6134-337-2390](#) [6134-341-17149](#) [6280-4SG-516](#) [6280-7SG-3DC](#)
[6290](#) [6291A](#) [66200A-10](#) [680-SMG](#) [681-PMG](#) [CXS3102A14S2P](#) [CXS3102A181S](#) [7251-5SG-300](#) [7271-6SG-300](#) [7282-3PG-300-CH3](#) [75-](#)
[474618-01S](#) [75-474618-04P](#) [75-474618-04S](#) [799539-000](#) [MI8-SE](#) [805-005-07NF11-19PC](#) [805-005-07NF15-7PA](#) [8280-4PG-516](#) [8280-7PG-](#)
[519](#) [8282-5PG-519](#) [836783-1](#) [MP-4102-25P-C](#) [862256-1](#) [864019-2](#) [866857-1](#) [867865-1](#) [PT01SP-14-18P](#) [PT08P-14-5S](#) [PTSF06SE-14-12S](#)
[120-1833-000](#) [QCM019PC2DC012B](#) [1-2069279-1](#) [121583-0217](#) [121667-0020](#) [129591AU](#) [1000B BULK](#) [RD10A16-19-P6CS051/1](#)
[RD10A20-31-P8CS051/1](#) [RD16A14-12-S6CS051/2](#) [1301240290](#) [1301240347](#) [1301860202](#)