



HIGH-DENSITY COPPER FLYOVER® SYSTEM



FEATURES & BENEFITS

- Pin compatible with optical FireFly™ using the same connector system
- Data connection is taken "off board" for easier routing
- Low-cost solution for seamless integration of new and existing designs
- Low-profile housing for space savings
- x4 bidirectional or x12 unidirectional
- Variety of end 2 termination options

14 G b p s	x4 Bidirectional ECUE x12 Unidirectional ECUE
PAM 4	
56 G b p s	x4 Bidirectional ECUE-2



Standard Copper (ECUE)

- 14 Gbps
- 100 Ω, 34 AWG or 36 AWG Eye Speed® twinax cable



Optimized Copper (ECUE-2)

- 28 Gbps card design
- 100 Ω, 34 AWG Eye Speed® ultra low skew twinax cable
- Optimized for use with connector UEC5-2



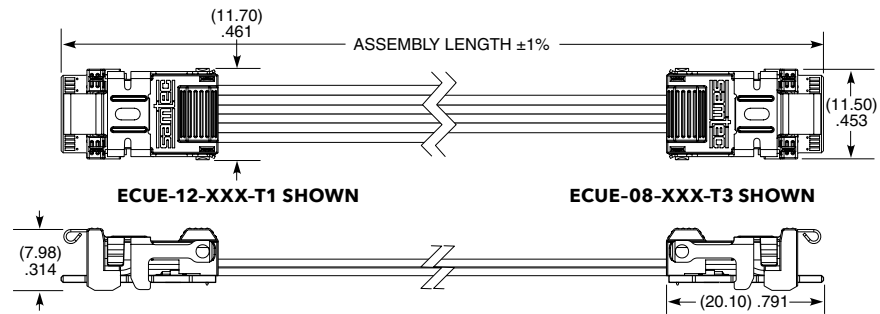
PCI Express®-Over-FireFly™ Copper (PCUE)

- PCIe® 4.0
- 100 Ω, 34 AWG Eye Speed® ultra low skew twinax cable
- Optimized for use with connector UEC5-2

LOW-PROFILE MICRO FLYOVER® CABLE

SERIES	NO OF PAIRS	ASSEMBLY LENGTH	CABLE TYPE	END 2 OPTION	WIRING OPTION	DATA RATE	OPTION
ECUE = Rugged FireFly™ Cable Assembly	-08 = Eight Pair (-T2 & -T3 cable only) -12 = Twelve Pair (-T1 cable only)	-"XXX" = Assembly Length in Centimeters (007 cm to 999 cm)	-T1 = 36 AWG twinax (-12 pairs only) -T2 = 34 AWG twinax (-08 pairs only) -T3 = 34 AWG ultra low skew twinax (-08 pairs only)	-FF = FireFly™ (Mates with UEC5/UCC8)	-01 = Pin A1 to Pin A19 -02 = Pin A1 to Pin B1 -B4 = Pin A1 to Pin B19 (-08 pair only)	-1 = 14 Gbps (-T1 or -T2 only) -2 = 28 Gbps (-T3 only)	Leave blank for standard FireFly™ -D1 = Decoupling Capacitors (only available with -02 & -B4 wire options)

ECUE
Board Mates:
UEC5, UCC8



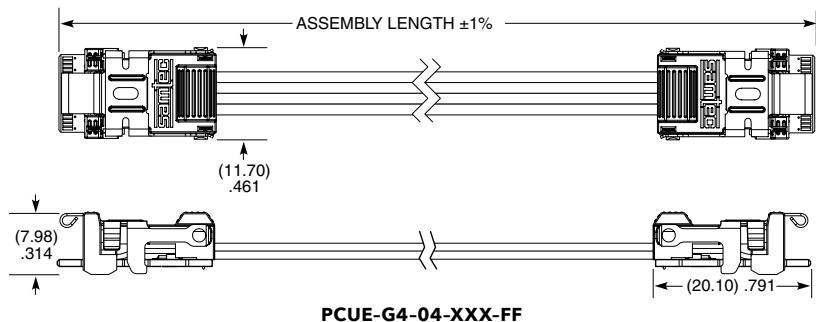
Notes:
All FireFly™ designs, specifications and components are preliminary and subject to change without notice.

Cable lengths longer than 150 cm (59.06") are not supported with S.I. test data.

View complete specifications at: samtec.com?ECUE

SERIES	SPEED	NO. OF CHANNELS	CABLE LENGTH	END 2
PCUE = PCIe®-over-FireFly™ Copper Flyover®	-G4 = Gen 4 Speed	-04 = 8 pairs	-"XXX" = Overall Length in Centimeters (010 cm to 999 cm)	-FF = FireFly™ (Mates with UEC5/UCC8)

PCUE
Board Mates:
UEC5, UCC8



Notes:
Supports PCIe® sideband signals

Two additional low speed channels compatible with PCUO or custom usage

Decoupling capacitors in-line with signals on PCB.

PCI-SIG®, PCI Express® and the PCIe® design marks are registered trademarks and/or service marks of PCI-SIG.

Some sizes, styles and options are non-standard, non-returnable.

View complete specifications at: samtec.com?PCUE

X-ON Electronics

Largest Supplier of Electrical and Electronic Components

Click to view similar products for [Rectangular Cable Assemblies](#) category:

Click to view products by [Samtec](#) manufacturer:

Other Similar products are found below :

[MC320E-N-23](#) [A08KR08KR26E203B](#) [G125FC10668L0-0300L](#) [G125FC10668L0-0150L](#) [G125-FC11068L0-0150L](#) [G125-FC11068L0-0300L](#)
[A06XAF06XAF22K254B](#) [A10XAF10XAF22K152B](#) [A13KR13KR26E254B](#) [A12SUR12SUR32W203A](#) [A16KR16KR26E203B](#)
[A12KR12KR26E305A](#) [A12KR12KR26E305B](#) [A12ZR12ZR28H203B](#) [A12ZR12ZR28H203A](#) [A10SR10SR30K254A](#) [A09SR09SR30K305A](#)
[A14KR14KR26E254A](#) [A14KR14KR26E254B](#) [A10ZR10ZR28H254A](#) [A09ZR09ZR28H305A](#) [A09ZR09ZR28H305B](#) [A13ZR13ZR28H203A](#)
[A15KR15KR26E254A](#) [A13KR13KR26E305B](#) [A11ZR11ZR28H254A](#) [A11ZR11ZR28H254B](#) [A11SR11SR30K254A](#)
[A12SUR12SUR32W254A](#) [A10ZR10ZR28H305A](#) [A14KR14KR26E305B](#) [A10ZR10ZR28H305B](#) [A12ZR12ZR28H254A](#)
[A15KR15KR26E305A](#) [A15KR15KR26E305B](#) [A11SR11SR30K305A](#) [A11ZR11ZR28H305A](#) [A11ZR11ZR28H305B](#) [A13ZR13ZR28H254A](#)
[A12SUR12SUR32W305A](#) [A12ZR12ZR28H305A](#) [A12ZR12ZR28H305B](#) [A20XAF20XAF22K51B](#) [A13ZR13ZR28H305A](#)
[A20XAF20XAF22K102B](#) [A20XAF20XAF22K152B](#) [A20XAF20XAF22K203B](#) [A20XAF20XAF22K254B](#) [A20XAF20XAF22K305B](#)
[A16XSR16XSR36R254B](#)