



EPLSP-019-2000

**EPLSP SERIES**

**(0.80 mm) .0315"**

# RUGGED LATCHING HIGH-SPEED SYSTEM

**FEATURES**

- Rugged external cable
- Small form factor
- Low profile latching
- Metal-to-metal two-piece contact system
- High mating cycles
- High cable flex life (500 cycles 180° bend)
- Small bend radius

**SPECIFICATIONS**

For complete specifications see [www.samtec.com?EPLSP](http://www.samtec.com?EPLSP)

**Cable:**  
32 AWG Low Skew Pair/  
28 AWG Power

**Bend Radius:**  
(25.40 mm) 1.00"

**Signal Routing:**  
100 Ω Differential

**Pinout Map:** 1:1 Map Standard  
(See web address above for additional information)

**Operating Temp Range:**  
-20 °C to +105 °C

**Current Rating:**  
1.7 A per pin  
(1 pin powered per row)

**RoHS Compliant:**  
Yes

**PROTOCOLS**

- SAS
- SATA
- Fibre Channel
- Ethernet
- PCIe®
- InfiniBand™

**OTHER SOLUTIONS**



- IP68 Sealed System (RCH/RPBH Series).

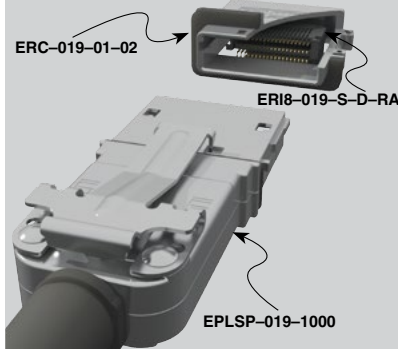
For more information, see [www.samtec.com?RCH](http://www.samtec.com?RCH) and [www.samtec.com?RPBH](http://www.samtec.com?RPBH).

**Note:**  
This Series is non-standard, non-returnable.

Mates with:  
ERI8



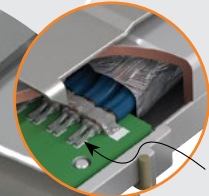
**APPLICATION**



Low profile latching

High cycles

Metal-to-metal contact interface



32 AWG Low Skew Pair

EPLSP	
Cable Length*	Rated @ 7 dB Insertion Loss
1 meter (39.4")	21 Gbps
3 meters (118")	9.5 Gbps

Longer cables and better performance available. See EPLSP-E Series

Performance and complete test data available at [www.samtec.com?EPLSP](http://www.samtec.com?EPLSP) or contact [sig@samtec.com](mailto:sig@samtec.com)

**TYPE**

**NO. OF POSITIONS**

**LENGTH**

**EPLSP**

= Eye Speed® I/O Cable

**-019**

= 9 Pairs, 5 Power, 19 positions

**-031**

= 17 Pairs, 5 Power, 31 positions

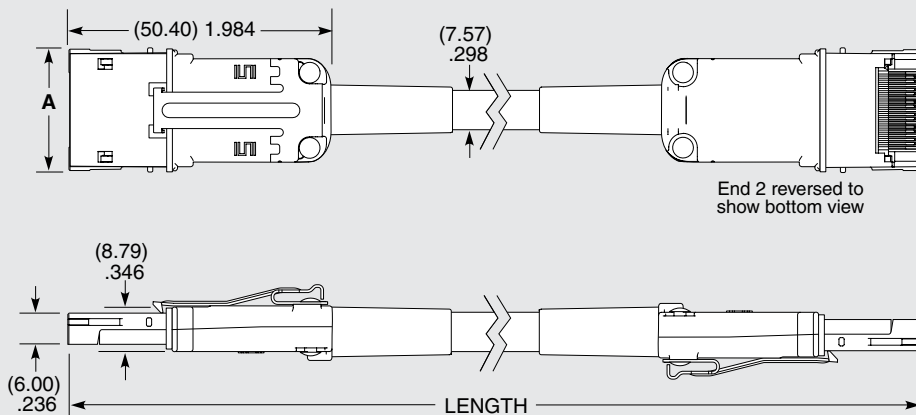
**- "XXXX"**

= Length in millimeters  
-1000, -2000, -3000  
(Standard lengths)

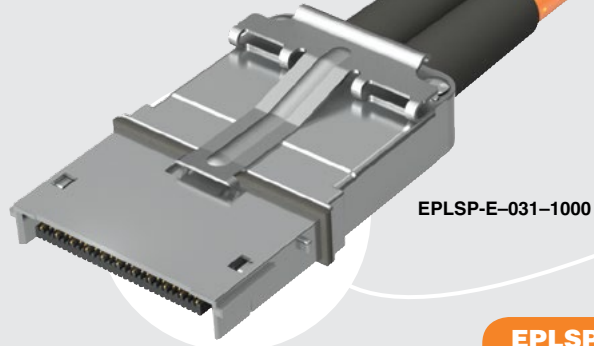
**ALSO AVAILABLE (MOQ Required)**

- Other lengths
- Contact Samtec.

NO. OF POSITIONS	A
-019	(23.85) .939
-031	(32.95) 1.30



Due to technical progress, all designs, specifications and components are subject to change without notice.



EPLSP-E-031-1000

**EPLSP-E SERIES**

**(0.80 mm) .0315"**

# RUGGED LATCHING HIGH-SPEED SYSTEM

## SPECIFICATIONS

For complete specifications see [www.samtec.com?EPLSP-E](http://www.samtec.com?EPLSP-E)

**Cable:**

32 AWG Low Skew Pair/

28 AWG Power

**Bend Radius:**

(25.40 mm) 1.00"

**Signal Routing:**

100 Ω Differential

**Pinout Map:**

1:1 Map Standard

(See web address above for additional information)

**Operating Temp Range:**

-20 °C to +105 °C

**RoHS Compliant:**

Yes

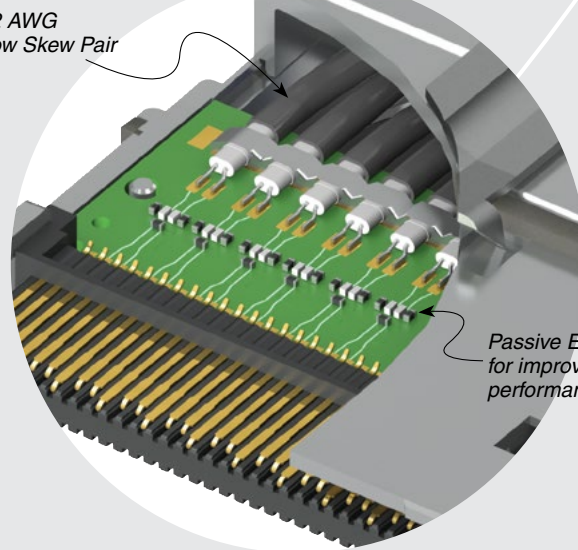
Mates with:  
ERI8



Performance Comparisons			
Data Rate	EPLSP	EPLSP-E	Δ
14 Gbps	2 m (80")	2.8 m (112")	+ 40%
28 Gbps	N/A	0.5 m (20")	N/A
Cable Length	EPLSP	EPLSP-E	Δ
1 meter (39.4")	21 Gbps	25.5 Gbps	+ 20%
3 meters (118")	9.5 Gbps	13 Gbps	+ 37%

Rated at 7 dB insertion loss  
Performance and complete test data available at [www.samtec.com?EPLSP-E](http://www.samtec.com?EPLSP-E) or contact sig@samtec.com

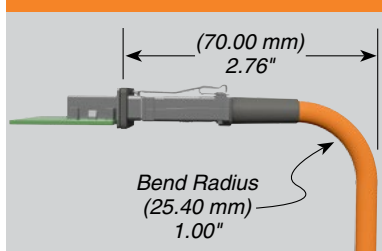
32 AWG  
Low Skew Pair



Passive Equalization for improved performance

TYPE	NO. OF POSITIONS	LENGTH
<b>EPLSP-E</b> = Equalized Eye Speed <sup>®</sup> I/O Cable	<b>-019</b> = 9 Pairs, 5 Power, 19 positions  <b>-031</b> = 17 Pairs, 5 Power, 31 positions	<b>-“XXXX”</b> = Length in millimeters -1000, -2000, -3000 (Standard lengths)

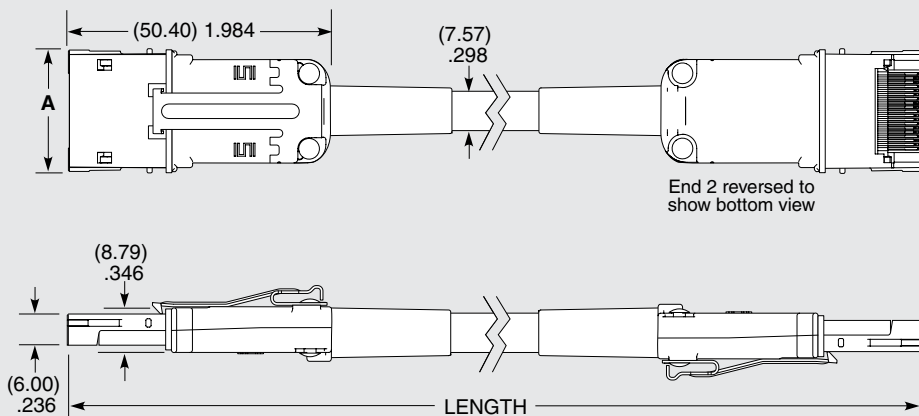
## APPLICATION



NO. OF POSITIONS	A	N	N+1	Nx2
<b>-019</b>	(23.85) .939	19	20	38
<b>-031</b>	(32.95) 1.30	31	32	62

## ALSO AVAILABLE (MOQ Required)

- Other lengths  
Contact Samtec.



End 2 reversed to show bottom view

**Note:**  
This Series is non-standard, non-returnable.

Due to technical progress, all designs, specifications and components are subject to change without notice.

[WWW.SAMTEC.COM](http://WWW.SAMTEC.COM)

All parts within this catalog are built to Samtec's specifications. Customer specific requirements must be approved by Samtec and identified in a Samtec customer-specific drawing to apply.

## X-ON Electronics

Largest Supplier of Electrical and Electronic Components

*Click to view similar products for [Rectangular Cable Assemblies](#) category:*

*Click to view products by [Samtec](#) manufacturer:*

Other Similar products are found below :

[MC320E-N-23](#) [A08KR08KR26E203B](#) [G125FC10668L0-0300L](#) [G125FC10668L0-0150L](#) [G125-FC11068L0-0150L](#) [G125-FC11068L0-0300L](#)  
[A06XAF06XAF22K254B](#) [A10XAF10XAF22K152B](#) [A13KR13KR26E254B](#) [A12SUR12SUR32W203A](#) [A16KR16KR26E203B](#)  
[A12KR12KR26E305A](#) [A12KR12KR26E305B](#) [A12ZR12ZR28H203B](#) [A12ZR12ZR28H203A](#) [A10SR10SR30K254A](#) [A09SR09SR30K305A](#)  
[A14KR14KR26E254A](#) [A14KR14KR26E254B](#) [A10ZR10ZR28H254A](#) [A09ZR09ZR28H305A](#) [A09ZR09ZR28H305B](#) [A13ZR13ZR28H203A](#)  
[A15KR15KR26E254A](#) [A13KR13KR26E305B](#) [A11ZR11ZR28H254A](#) [A11ZR11ZR28H254B](#) [A11SR11SR30K254A](#)  
[A12SUR12SUR32W254A](#) [A10ZR10ZR28H305A](#) [A14KR14KR26E305B](#) [A10ZR10ZR28H305B](#) [A12ZR12ZR28H254A](#)  
[A15KR15KR26E305A](#) [A15KR15KR26E305B](#) [A11SR11SR30K305A](#) [A11ZR11ZR28H305A](#) [A11ZR11ZR28H305B](#) [A13ZR13ZR28H254A](#)  
[A12SUR12SUR32W305A](#) [A12ZR12ZR28H305A](#) [A12ZR12ZR28H305B](#) [A20XAF20XAF22K51B](#) [A13ZR13ZR28H305A](#)  
[A20XAF20XAF22K102B](#) [A20XAF20XAF22K152B](#) [A20XAF20XAF22K203B](#) [A20XAF20XAF22K254B](#) [A20XAF20XAF22K305B](#)  
[A16XSR16XSR36R254B](#)