

# EDGE RATE® CABLE ASSEMBLIES

**14**  
Gbps

(0.80 mm) .0315" PITCH • ERCD SERIES



**ERCD**

**Mates:**

ERF8 (-L), ERM8 (-L)

(Mating connectors require latching option -L)

**SPECIFICATIONS**

**Cable:**

34 AWG coax ribbon cable

**Signal Routing:**

50 Ω Single-Ended

**Plating:**

Au over 50 μ" (1.27 μm) Ni

**Operating Temp Range:**

-25 °C to +105 °C

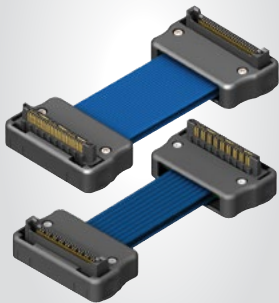
**Current Rating:**

1.3 A per pin  
(2 pins powered)

**OTHER SOLUTIONS**

Q Rate® Cable Assemblies that mate to the QRF8, QRM8 Series.

For coax cable, visit the EQRD series located at [www.samtec.com?EQRD](http://www.samtec.com?EQRD)



For twinax cable, visit the EQRP series located at [www.samtec.com?EQRP](http://www.samtec.com?EQRP)

ERCD	NO. POSITIONS PER ROW	WIRE LENGTH	END NO. 1	END NO. 2	WIRING OPTION	LATCH
------	-----------------------	-------------	-----------	-----------	---------------	-------

-010, -013,  
-020, -025,  
-030, -040,  
-050, -060

-"XX.XX"  
= Wire Length in Inches (43.7 mm)  
01.72" minimum

-TTR  
= Terminal, Top Right

-TTL  
= Terminal, Top Left

-TBR  
= Terminal, Bottom Right

-TBL  
= Terminal, Bottom Left

-STR  
= Socket, Top Right

-STL  
= Socket, Top Left

-SBR  
= Socket, Bottom Right

-SBL  
= Socket, Bottom Left

-TEU  
= Terminal, Edge Mount Up

-TED  
= Terminal, Edge Mount Down

-1  
= Pin 1 to Pin 1

-2  
= Pin 1 to Pin 2

-3  
= Pin 1 to Pin N - 1

-4  
= Pin 1 to Pin N

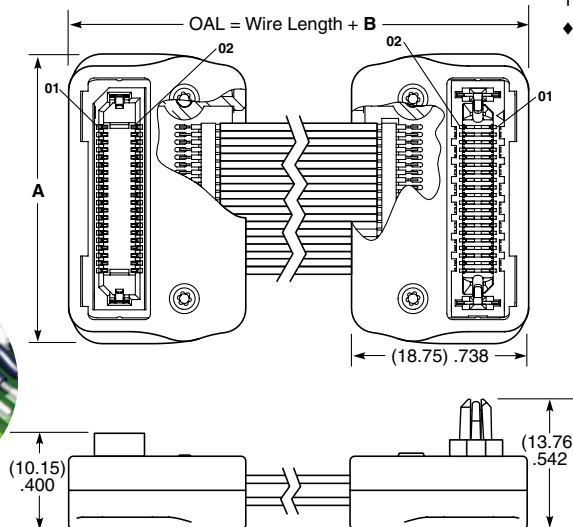
**Specify LATCH from chart**  
(Required callout)

POSITIONS PER ROW	A
-010	(22.66) .892
-013	(25.06) .987
-020	(30.66) 1.207
-025	(34.65) 1.364
-030	(38.66) 1.522
-040	(46.66) 1.837
-050	(54.66) 2.152
-060	(62.66) 2.467

END TO END	B
DV to DV	(23.47) .924
DV to Edge Mount (-TEX)	(26.69) 1.051
Edge Mount (-TEX)	(29.92) 1.178

LATCH	ASSEMBLY
† -L	End No. 1 Standard Latch, End No. 2 Squeeze Latch
◆ -R	End No. 1 Squeeze Latch, End No. 2 Standard Latch
-D	Both Ends Standard Latch
-N	No Housing Both Ends Standard Latch
* -B	Both Ends Squeeze Latch
-F	End No. 1 Screw Option, End No. 2 Friction Latch
-S	End No. 1 Friction Latch, End No. 2 Screw Option
-C	Both Ends Screw Option
† -G	End No. 1 Screw Option, End No. 2 Squeeze Latch
◆ -T	End No. 1 Squeeze Latch, End No. 2 Screw Option

\* -B option only available with -TEX on both ends.  
† -L & -S option only available with -TEX on second end.  
◆ -R & -T option only available with -TEX on first end.



**Notes:**

Cable lengths longer than 40.00" (1 meter) are not supported with S.I. test data.

Design your full cable assembly with Samtec's High-Speed Cable Builder at [www.samtec.com/cablebuilder](http://www.samtec.com/cablebuilder)

Some lengths, styles and options are non-standard, non-returnable.

## X-ON Electronics

Largest Supplier of Electrical and Electronic Components

*Click to view similar products for [Rectangular Cable Assemblies](#) category:*

*Click to view products by [Samtec](#) manufacturer:*

Other Similar products are found below :

[MC320E-N-23](#) [A08KR08KR26E203B](#) [G125FC10668L0-0300L](#) [G125FC10668L0-0150L](#) [G125-FC11068L0-0150L](#) [G125-FC11068L0-0300L](#)  
[A06XAF06XAF22K254B](#) [A10XAF10XAF22K152B](#) [A13KR13KR26E254B](#) [A12SUR12SUR32W203A](#) [A16KR16KR26E203B](#)  
[A12KR12KR26E305A](#) [A12KR12KR26E305B](#) [A12ZR12ZR28H203B](#) [A12ZR12ZR28H203A](#) [A10SR10SR30K254A](#) [A09SR09SR30K305A](#)  
[A14KR14KR26E254A](#) [A14KR14KR26E254B](#) [A10ZR10ZR28H254A](#) [A09ZR09ZR28H305A](#) [A09ZR09ZR28H305B](#) [A13ZR13ZR28H203A](#)  
[A15KR15KR26E254A](#) [A13KR13KR26E305B](#) [A11ZR11ZR28H254A](#) [A11ZR11ZR28H254B](#) [A11SR11SR30K254A](#)  
[A12SUR12SUR32W254A](#) [A10ZR10ZR28H305A](#) [A14KR14KR26E305B](#) [A10ZR10ZR28H305B](#) [A12ZR12ZR28H254A](#)  
[A15KR15KR26E305A](#) [A15KR15KR26E305B](#) [A11SR11SR30K305A](#) [A11ZR11ZR28H305A](#) [A11ZR11ZR28H305B](#) [A13ZR13ZR28H254A](#)  
[A12SUR12SUR32W305A](#) [A12ZR12ZR28H305A](#) [A12ZR12ZR28H305B](#) [A20XAF20XAF22K51B](#) [A13ZR13ZR28H305A](#)  
[A20XAF20XAF22K102B](#) [A20XAF20XAF22K152B](#) [A20XAF20XAF22K203B](#) [A20XAF20XAF22K254B](#) [A20XAF20XAF22K305B](#)  
[A16XSR16XSR36R254B](#)