

# RUGGED HIGH-SPEED STRIPS

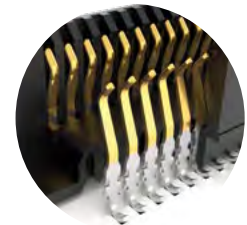


NRZ	PAM4
28 Gbps	56 Gbps

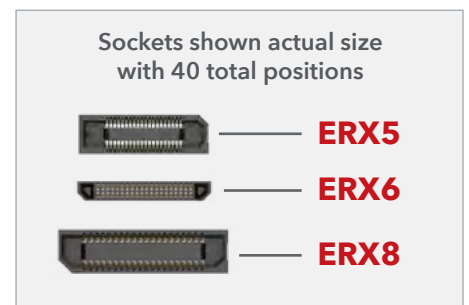
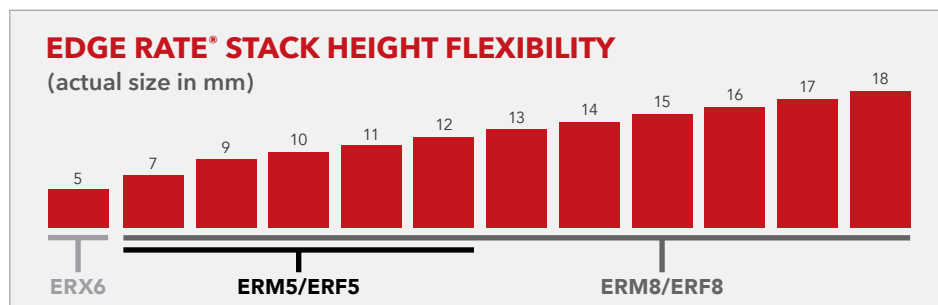
## FEATURES & BENEFITS

Edge Rate® rugged high-speed connector strips are designed for high speed, high cycle applications, and enabled by Samtec's signal integrity-optimized Edge Rate® contact system.

- Choice of 0.50 mm, 0.635 mm or 0.80 mm pitch
- 0.50 mm pitch system offers up to 40% PCB space savings vs. 0.80 mm pitch
- 0.635 mm pitch system with extremely slim 2.5 mm body width
- Rugged latching, locking and 360° shielding
- Up to 1.5 mm contact wipe; robust when "zippered" during unmating
- Compatible with UMPT/UMPS for power/signal flexibility



Signal integrity-optimized Edge Rate® contact system reduces broadside coupling



## KEY SPECIFICATIONS

SERIES	PITCH	STACK HEIGHTS	TOTAL PINS / PAIRS	INSULATOR MATERIAL	TERMINAL MATERIAL	PLATING	OPERATING TEMP RANGE	LEAD-FREE SOLDERABLE
ERM5 / ERF5	0.50 mm	7-12 mm	20-150	Black LCP	Phosphor Bronze or BeCu (ERM5), BeCu (ERF5)	Au or Sn over 50 μ" (1.27 μm) Ni	-55 °C to +125 °C	Yes
ERM6 / ERF6	0.635 mm	5 mm	20-120		Copper Alloy			
ERM8 / ERF8	0.80 mm	7-18 mm	10-200		Phosphor Bronze or BeCu (ERM8), BeCu (ERF8)			

**(0.80 mm) .0315" PITCH • RIGHT-ANGLE & EDGE MOUNT HIGH-SPEED SOCKETS**

ERF8	POSITIONS PER ROW	01	PLATING OPTION	D	RA	OPTIONS	"X"R
------	-------------------	----	----------------	---	----	---------	------

Right-Angle Socket

-010, -013, -020,  
-025, -030, -040,  
-049, -050, -060,  
-070, -075

-L  
= 10 μ" (0.25 μm)  
Gold on contact area, Matte Tin on tail

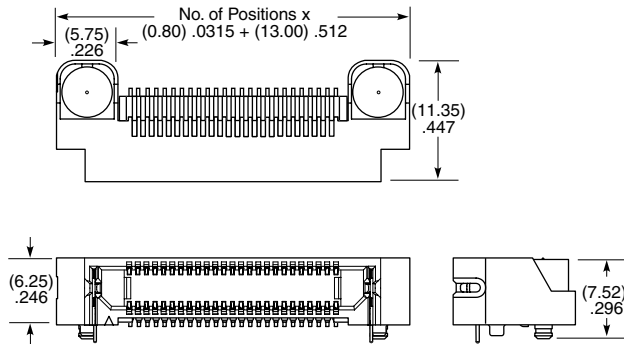
-L  
= Latching  
(N/A with -EGP Option)

-EGP  
= Extended Guide Post  
(N/A with -L Option)

-TR  
= Tape & Reel

-FR  
= Full Reel Tape & Reel (must order maximum quantity per reel; contact Samtec for quantity breaks)

**ERF8-RA**  
Board Mates:  
ERM8  
Cable Mates:  
ERCD, ERDP



View complete specifications at: [samtec.com?ERF8-RA](http://samtec.com?ERF8-RA)

ERF8	POSITIONS PER ROW	01	PLATING OPTION	D	EM2	OPTIONS	"X"R
------	-------------------	----	----------------	---	-----	---------	------

Edge Mount Socket

-010, -013,  
-020, -025,  
-030, -040,  
-049, -050,  
-060, -070,  
-075

-L  
= 10 μ" (0.25 μm)  
Gold on contact area, Matte Tin on tail

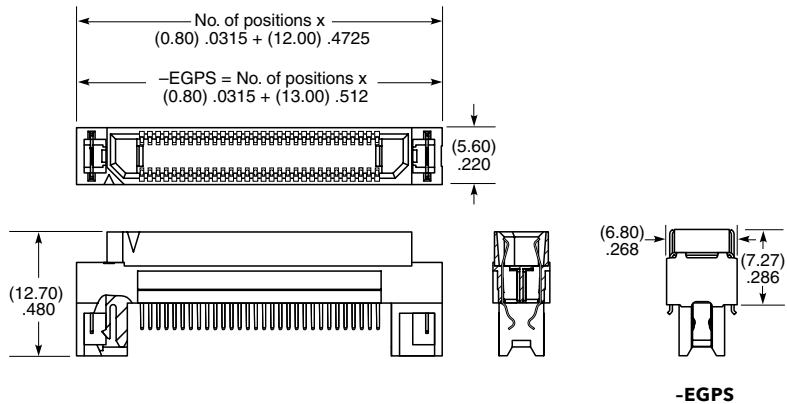
= (1.60 mm)  
.062" Thick  
PCB

-EGPS  
= Extended Guide Post Shield  
(-010, -020, -025, -030 Pos. only)

-TR  
= Tape & Reel

-FR  
= Full Reel Tape & Reel (must order maximum quantity per reel; contact Samtec for quantity breaks)

**ERF8-EM**  
Board Mates:  
ERM8



View complete specifications at: [samtec.com?ERF8-EM](http://samtec.com?ERF8-EM)

**Note:**  
Some lengths, styles and options are non-standard, non-returnable.

## X-ON Electronics

Largest Supplier of Electrical and Electronic Components

*Click to view similar products for [Board to Board & Mezzanine Connectors](#) category:*

*Click to view products by [Samtec](#) manufacturer:*

Other Similar products are found below :

[589158040000018](#) [FCN-230C068-11](#) [FCN-268F012-G/BD](#) [FCN-268F036-G/BD](#) [FCN-268M012-G/0D](#) [FCN-268M024-G/1D](#) [FCN-723J004/1](#) [MIS-048-01-F-D-DP-K](#) [832-10-034-10-001000](#) [FX4C-80S-1.27DSA](#) [FCN-214Q030-G/0](#) [FCN-234P048-G/0](#) [FCN-235D050-G/C](#) [210-93-314-41-105000](#) [2-22603-0](#) [MDF7-40DP-2.54DSA\(55\)](#) [AXG720047](#) [5031084030](#) [MIT-114-03-F-D-K](#) [55323-1519](#) [DF33-2P-3.3DSA\(24\)](#) [YFT-20-05-H-03-SB-K](#) [503308-3040](#) [026-6203-PDB](#) [027-6203-PDB](#) [069159702701000](#) [10123981-102LF](#) [101A10019X](#) [55650-0588-C](#) [68684-306](#) [75140-7012](#) [589159005003045](#) [194261-1](#) [FCN-268F024-G0D](#) [10124054-515LF](#) [68685-603](#) [8-1616154-3](#) [MIS-019-01-F-D](#) [589159005002045](#) [541371078](#) [IL-WX-10PB-HF-B-E1000E](#) [FCN-268M024-G/3D](#) [20021832-06016C1LF](#) [KX15-20KLDL-E1000E](#) [MDF7-16DP-2.54DSA\(55\)](#) [AXE810124](#) [FCN-214J100-G/0](#) [FCN-230C068-E/S](#) [AXE812124](#) [AXE816124](#)