

REVISION BU

ESQ-1XX-XX-X-X-XXX-XX-X-XX

CONTACT STYLE SPECIFICATION
 SQUARE TAIL: USE C-15-X-X
 LOW INSERTION FORCE: C-60-X-X
 (SEE TABLE)

BODY LENGTH SPECIFICATIONS 1 THRU 36
 (SEE FIG 1)
 FOR A ONE POSITION SINGLE ROW SEE NOTE 3

LEAD STYLE SPEC
 (SEE TABLE)

PLATING SPECIFICATION
 -G: GOLD (USE C-XX-X-G)
 -T: TIN (USE C-15-X-T (N/A IN LIF C-60))
 -S: SELECTIVE (USE C-XX-X-S)
 -H: HEAVY GOLD (USE C-XX-X-H)
 -L: SELECTIVE LIGHT GOLD, MATTE TIN TAIL (USE C-XX-X-L)

METAL WASHER OPTION
 #*-H-MW: (SEE FIG 2, SHT 2)
 (N/A ON TRIPLE ROW)
 (.300 [7.62] MAX TAIL)
 (AVAILABLE ON POS
 -02 THRU -32 ONLY)

LOCKING LEAD OPTION
 -LL (SEE FIG 3)
 [N/A ON 1 OR 2 POSITION SINGLE ROW]

POLARIZING OPTION
 INDICATES POSITION (SEE FIG 2)

ROW SPECIFICATION (SEE TABLE)
 -S: SINGLE (USE SSW-50-S)
 -D: DOUBLE (USE SSW-50-D)
 -T: TRIPLE (USE SSW-50-T)

* SEE NOTE 7

UNLESS OTHERWISE NOTED TOLERANCES ARE:
 DIMENSIONS ARE IN INCHES
 ONE PLACE DECIMALS ±.1
 TWO PLACE DECIMALS ±.01
 THREE PLACE DECIMALS ± .005
 FOUR PLACE DECIMALS ± .0020
 ANGLES ± 2°

TITLE: ESQ STRIP ASM.
 DWG NO: ESQ-1XX-XX-X-X-XXX-XX-X-XX
 SHEET 1 OF 3

- NOTES:
 1. CONTACT PUSHOUT SHALL BE 1.5 LBS. MIN.
 2. MAX ALLOWABLE BOW .003 INCH/INCH AFTER ASSEMBLY.
 3. FOR A 1 POSITION SINGLE ROW ALL SPACERS ARE TO BE TSW-XX-S
 4. SPACERS SHALL BE ASSEMBLED AS SHOWN WITH SNAP GROOVES AWAY FROM SSW BODY.
 5. FOR IN-PROCESS VIEWS SEE SHEET 3, FIGS 4 & 5.
 6. MAX CUT FLASH : .010
 7. DO NOT USE DSB SPACER BODY FOR THIS OPTION.

STANDARD INSERTION FORCE	CONTACT	SPACER SPECIFICATION (FOR A ONE POSITION SINGLE ROW SEE NOTE 3)			"B"	"C"	"D"	"E"
		ESQ-S	ESQ-D	ESQ-T				
-12	C-15-2-X	N/A	N/A	N/A	.090	.435	.525	.100
-13	C-15-3-X	N/A	N/A	N/A	.290	.435	.725	N/A
-14	C-15-4-X	N/A	N/A	N/A	.480	.435	.915	N/A
-23	C-15-3-X	(1) SUB-SSB-32	(1) DSB-XX	(1) SUB-SSB-32 (1) DSB-XX	.190	.535	.725	N/A
-24	C-15-4-X	(1) SUB-SSB-32	(1) DSB-XX	(1) SUB-SSB-32 (1) DSB-XX	.380	.535	.915	N/A
-33	C-15-3-X	(2) SUB-SSB-32	(2) DSB-XX	(2) SUB-SSB-32 (2) DSB-XX	.090	.635	.725	N/A
-34	C-15-4-X	(2) SUB-SSB-32	(2) DSB-XX	(2) SUB-SSB-32 (2) DSB-XX	.280	.635	.915	N/A
-44	C-15-4-X	(1) ESS-XX-S	(3) DSB-XX	(1) ESS-XX-S (3) DSB-XX	.180	.735	.915	N/A

LOW INSERTION FORCE	CONTACT	SPACER SPECIFICATION (FOR A ONE POSITION SINGLE ROW SEE NOTE 3)			"B"	"C"	"D"	"E"
		ESQ-S	ESQ-D	ESQ-T				
-37	C-60-2-X	N/A	N/A	N/A	.090	.435	.525	.100
-38	C-60-3-X	N/A	N/A	N/A	.290	.435	.725	N/A
-39	C-60-4-X	N/A	N/A	N/A	.480	.435	.915	N/A
-48	C-60-3-X	SUB-SSB-32	(1) DSB-XX	(1) SUB-SSB-32 (1) DSB-XX	.190	.535	.725	N/A
-49	C-60-4-X	(1) SUB-SSB-32	(1) DSB-XX	(1) SUB-SSB-32 (1) DSB-XX	.380	.535	.915	N/A
-58	C-60-3-X	(2) SUB-SSB-32	(2) DSB-XX	(2) SUB-SSB-32 (2) DSB-XX	.090	.635	.725	N/A
-59	C-60-4-X	(2) SUB-SSB-32	(2) DSB-XX	(2) SUB-SSB-32 (2) DSB-XX	.280	.635	.915	N/A
-69	C-60-4-X	(1) ESS-XX-S	(3) DSB-XX	(1) ESS-XX-S (3) DSB-XX	.180	.735	.915	N/A

DO NOT SCALE FROM THIS PRINT

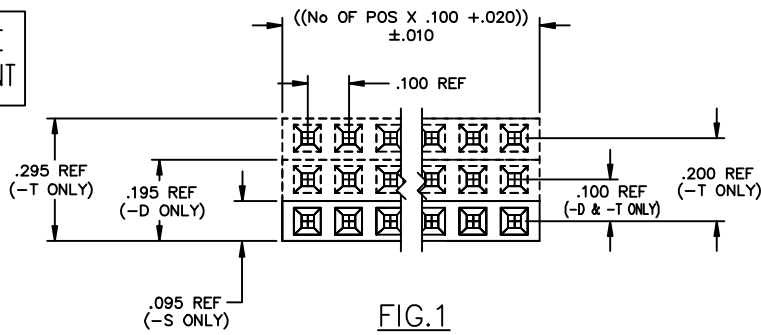


FIG.1

- MW OPTION, DO NOT DESIGN IN. SAMTEC WILL ONLY SUPPORT EXISTING BUSINESS 2/12/02.

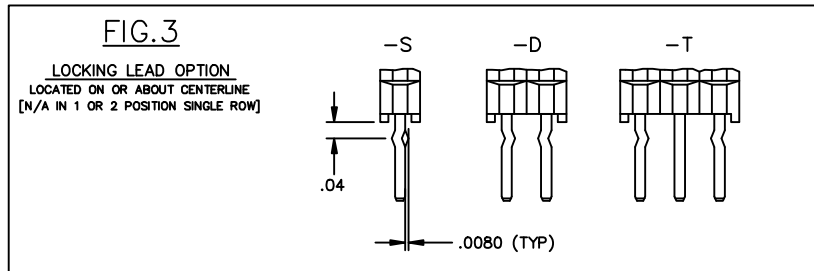


FIG.3

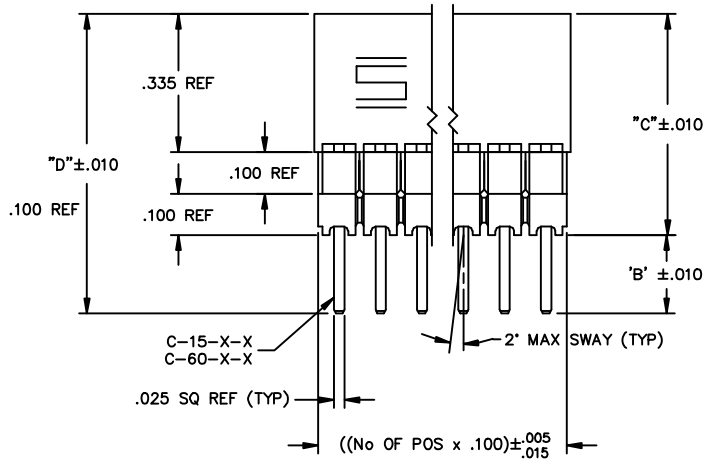
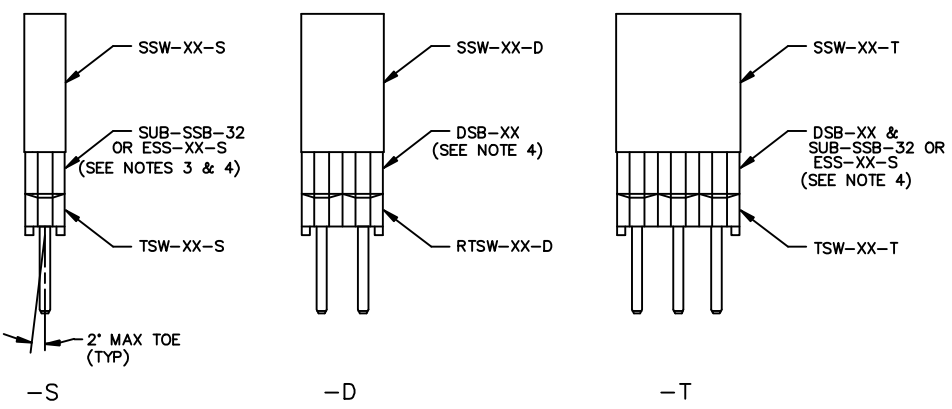
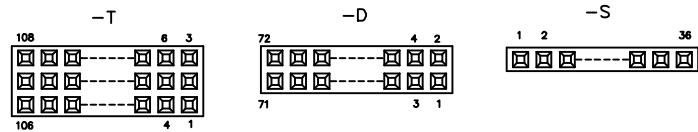


FIG.2

POLARIZATION LOCATION
 INSERT PK-06-N INTO SPECIFIED POS AND BREAK OFF TAB



PROPRIETARY NOTE
 THIS DOCUMENT CONTAINS INFORMATION CONFIDENTIAL AND PROPRIETARY TO SAMTEC INC. AND SHALL NOT BE REPRODUCED OR TRANSMITTED TO OTHER DOCUMENTS OR SERVICES TO OTHERS OR USED FOR ANY PURPOSE OTHER THAN THAT FOR WHICH IT WAS OBTAINED WITHOUT THE EXPRESS WRITTEN CONSENT OF SAMTEC INC.

EXSPROD/ASSEMBLY/100 ESQ-ASM

samtec

520 PARK EAST BLVD. NEW ALBANY, INDIANA 47150
 PHONE (812) 944-8733 P.O. BOX 1147
 CODE 55322

MADE BY: JORDAN 7-16-85

ESQ-1XX-XX-X-X-XXX-XX-X-XX
 SHEET 1 OF 3

DIMENSIONS ARE IN INCHES		TOLERANCES ARE:	
ONE PLACE DECIMALS $\pm .1[2.5]$	THREE PLACE DECIMALS $\pm .005 [.13]$	ANGLES	$\pm 2^\circ$
TWO PLACE DECIMALS $\pm .01[.25]$	FOUR PLACE DECIMALS $\pm .0020[.05]$		

TITLE: .100
TERMINAL STRIP
ASSEMBLY

DWG NO: ESQ-1XX-XX-X-X-XXX-XX-X-XX
SHEET 2 OF 3

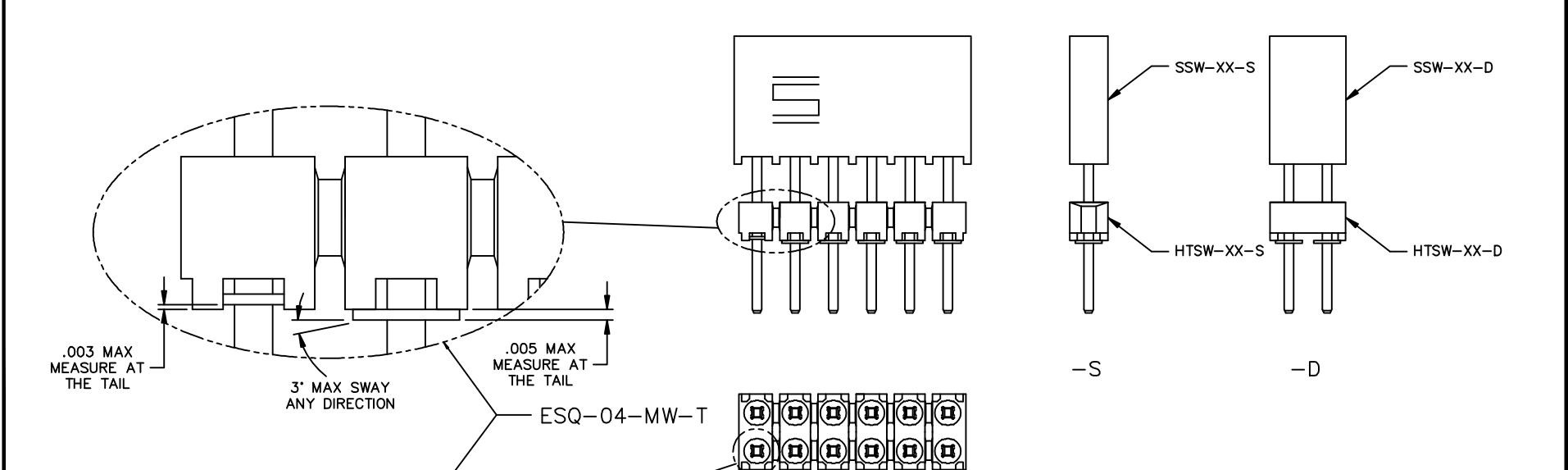
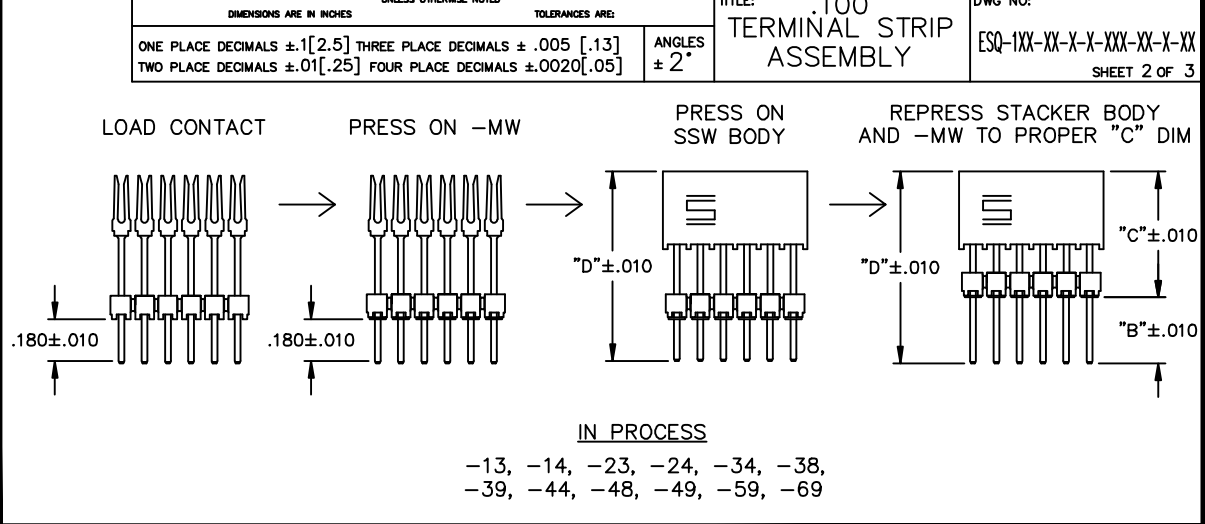
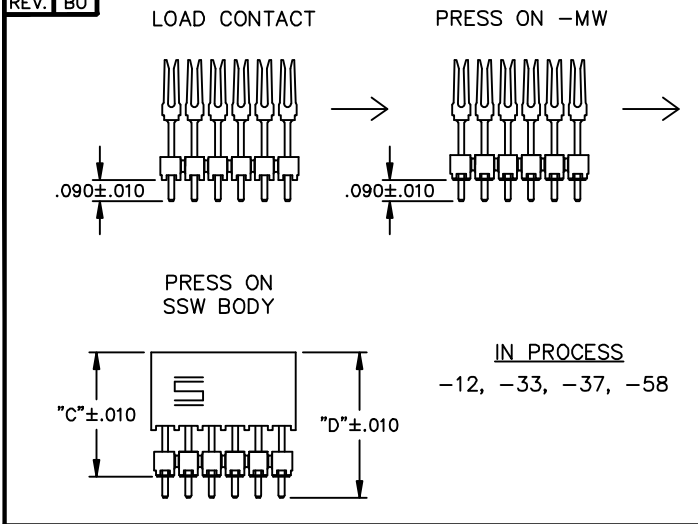


FIG. 2
-H-MW: METAL WASHER (ONE PER POSITION)
(-S & -D BODY SPECS ONLY)
(SEE NOTE 7)

- MW OPTION, DO NOT DESIGN IN. SAMTEC WILL ONLY SUPPORT EXISTING BUSINESS 2/12/02.

PROPRIETARY NOTE
THIS DOCUMENT CONTAINS INFORMATION CONFIDENTIAL AND PROPRIETARY TO SAMTEC INC. AND SHALL NOT BE REPRODUCED OR TRANSFERRED TO OTHER DOCUMENTS OR DISCLOSED TO OTHERS OR USED FOR ANY PURPOSE OTHER THAN THAT FOR WHICH IT WAS OBTAINED WITHOUT THE EXPRESSED WRITTEN CONSENT OF SAMTEC INC.

EXISPROD\ASSEMBLY\100
ESQ-ASM2

samtec

520 PARK EAST BLVD. NEW ALBANY, INDIANA 47150
PHONE (812) 944-6733 P.O. BOX 1147
CODE 55322

MADE BY: WHITTAKER 9-11-98

ESQ-1XX-XX-X-X-XXX-XX-X-XX
SHEET 2 OF 3

UNLESS OTHERWISE NOTED
 DIMENSIONS ARE IN INCHES TOLERANCES ARE:
 ONE PLACE DECIMALS ±.1[2.5] THREE PLACE DECIMALS ±.005 [.13]
 TWO PLACE DECIMALS ±.01[.25] FOUR PLACE DECIMALS ±.0020[.05] ANGLES ± 2°

TITLE: .100
 TERMINAL STRIP
 ASSEMBLY

DWG NO: ESQ-1XX-XX-X-X-XXX-XX-X-XX
 SHEET 3 OF 3

- MW OPTION, DO NOT DESIGN IN. SAMTEC WILL ONLY SUPPORT EXISTING BUSINESS 2/12/02.

LEAD STYLE	ROW	TUBE	PLUG (2)
-12, -37	-S	PT-1-24-01-46	TP-24
-13, -14, -23, -24, -33, -34, -44, -38, -39, -48, -49, -58, -59, -69		PT-1-24-01-47	TP-24
-12, -37	-D	PT-1-24-03-44	TP-07
-13, -14, -23, -24, -33, -34, -44, -38, -39, -48, -49, -58, -59, -69		PT-1-24-02-47	TP-07
-12, -37	-T	PT-1-24-01-51	TP-13
-13, -14, -23, -24, -33, -34, -44, -38, -39, -48, -49, -58, -59, -69		PT-1-24-03-51	TP-13

- FOR -12 & -37 LEAD STYLES TUBE PACKAGE -04 THRU -36 POSITIONS ONLY.
- FOR -13, -23, -33, -38, -48, & -58 LEAD STYLES TUBE PACKAGE -08 THRU -36 POSITIONS ONLY.
- FOR -14, -24, -34, -44, -39, -49, -59, & -69 LEAD STYLES TUBE PACKAGE -05 THRU -36 POSITIONS ONLY.

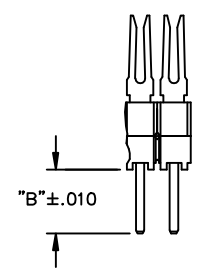
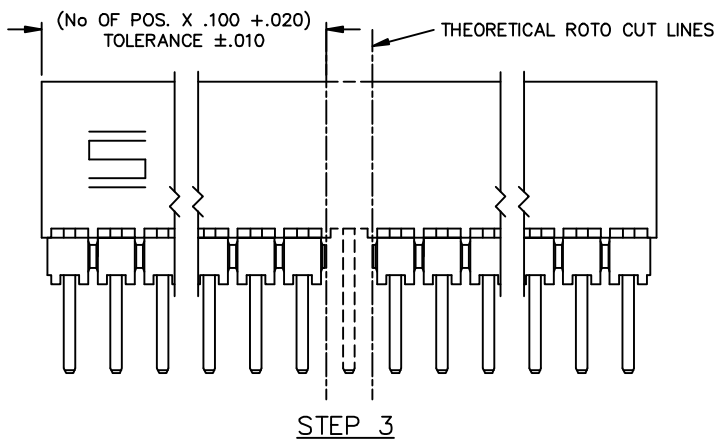
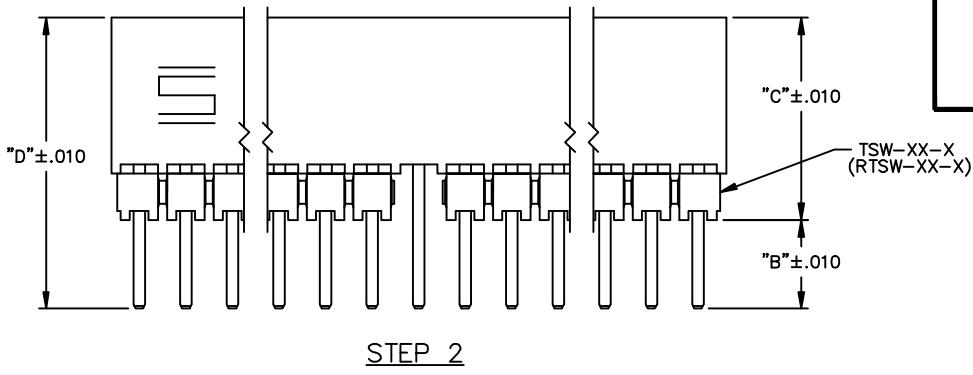
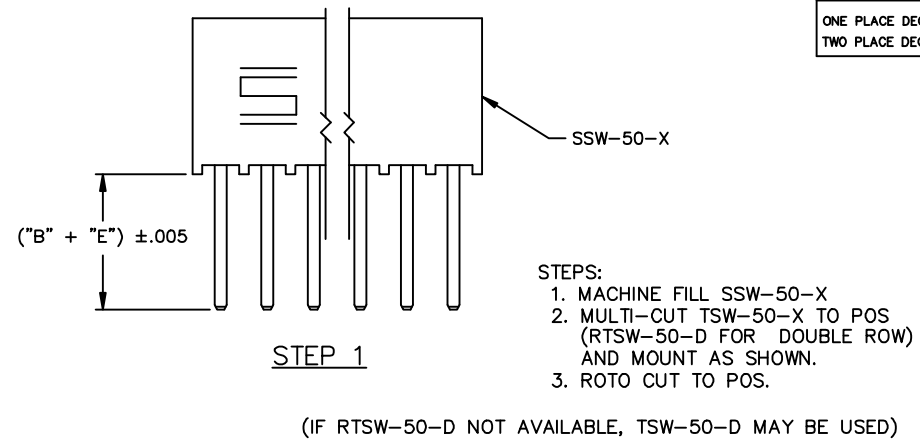
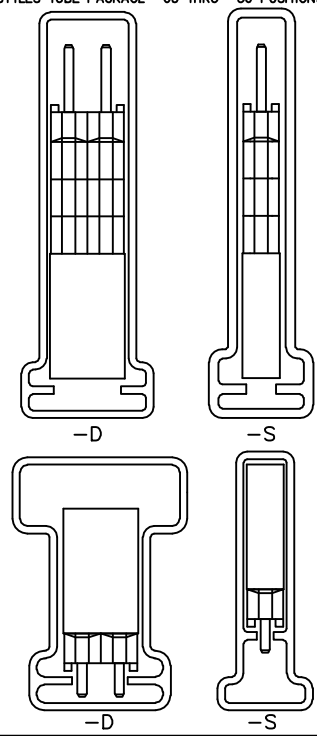


FIG. 4
 IN-PROCESS 'A'
 (LEAD STYLE -12-T, -13, -14, -23, -24, -33, -34, -44, -37-T, -38, -39, -48, -49, -58, -59, -69)

FIG. 5
 IN-PROCESS 'B'
 (LEAD STYLE -12 & -37)
 (-S & -D ONLY)



PROPRIETARY NOTE
 THIS DOCUMENT CONTAINS INFORMATION CONFIDENTIAL AND PROPRIETARY TO SAMTEC INC. AND SHALL NOT BE REPRODUCED OR TRANSFERRED TO OTHER DOCUMENTS OR DISCLOSED TO OTHERS OR USED FOR ANY PURPOSE OTHER THAN THAT FOR WHICH IT WAS OBTAINED WITHOUT THE EXPRESSED WRITTEN CONSENT OF SAMTEC INC.

EXISPROD\ASSEMBLY\100
 ESQ-ASM3
samtec
 520 PARK EAST BLVD. NEW ALBANY, INDIANA 47150
 PHONE (812) 944-6733 P.O. BOX 1147
 CODE 55322

X-ON Electronics

Largest Supplier of Electrical and Electronic Components

Click to view similar products for [Headers & Wire Housings](#) category:

Click to view products by [Samtec](#) manufacturer:

Other Similar products are found below :

[95000-104TRLF](#) [10135584-644402LF](#) [DF62W-EP2022PCA](#) [95000-106TRLF](#) [DF62W-2022SCA](#) [DF62W-EP2022PC](#) [2203348](#) [DF62W-2022SC](#) [1084018](#) [1029039](#) [1084017](#) [802-10-012-10-002000](#) [1112640](#) [1112639](#) [000-34000](#) [0009482033](#) [0009507031](#) [57102-S06-03LF](#) [57202-S52-04LF](#) [PCN6-15S-2.5E](#) [0039019024](#) [58102-G61-06LF](#) [582553-1](#) [0009485154](#) [0009508121](#) [0022285053](#) [0050291907](#) [018731A](#) [LY20-4P-DT1-P1E-BR](#) [02.125.8002.8](#) [60101931](#) [60598-1 \(Cut Strip\)](#) [M1625-3R/100](#) [61062-3](#) [61082-181009](#) [636-1427](#) [638009-1](#) [641938-9](#) [641991-4](#) [644168-1](#) [647662-1](#) [65039-019ELF](#) [65817-002LF](#) [65817-015LF](#) [65863-015LF](#) [66207-023LF](#) [67016-026LF](#) [67046-001LF](#) [67095-007LF](#) [67230-005LF](#)