

FCF8-20-01-L-03.00-S

FCF8-10-01-L-03.00-S



FCS8-20-01-L-S-A-TR

FCS8-10-01-L-S-A-TR

FCF8, FCS8 SERIES

(0.80 mm) .0315"

HIGH-SPEED COST EFFECTIVE COAX CABLE

SPECIFICATIONS

For complete specifications see www.samtec.com/FCF8

- Cable:** 38 AWG coax
- Overmold:** Nylon
- Terminal Material:** Phosphor Bronze
- Contact Plating:** Au or Sn over 50 μ" (1.27 μm) Ni
- Operating Temp Range:** -25 °C to +105 °C
- Current Rating:** 1.8 A per pin (1 pin powered)
- RoHS Compliant:** Yes

RECOGNITIONS

For complete scope of recognitions see www.samtec.com/quality

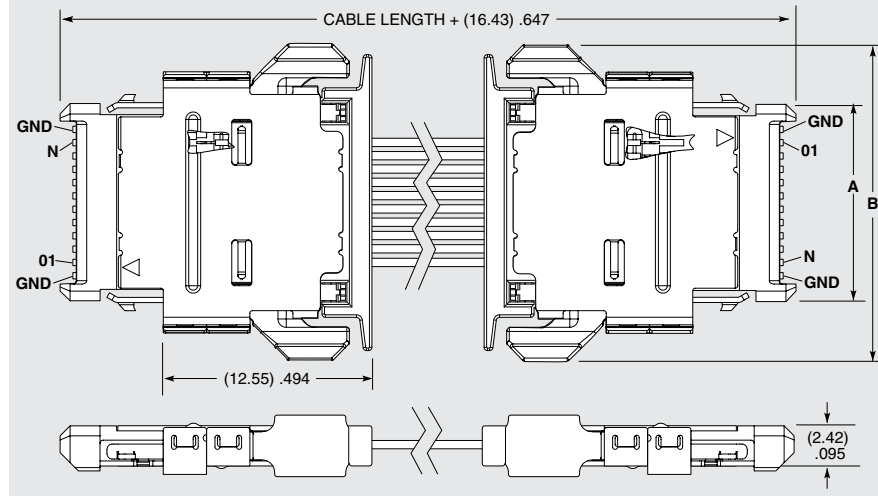


Notes: Design your High-Speed Cable using Samtec's Cable Builder: www.samtec.com/cablebuilder

Cable lengths longer than 40.00" (1 meter) are not supported with S.I. test data.

Some lengths, styles and options are non-standard, non-returnable.

FCF8	NO. OF POSITIONS	01	PLATING OPTION	CABLE LENGTH	S
Mates with: FCS8		-10, -20, -30	-L = 10 μ" (0.25 μm) Gold on contact, Matte Tin on tail	"XX.XX" = Length in Inches 03.00" (76.2 mm) minimum	



NO. OF POSITIONS	A	B
-10	(11.85) .467	(19.00) .748
-20	(19.85) .781	(27.00) 1.063
-30	(27.85) 1.096	(35.00) 1.378

ALSO AVAILABLE (MOV Required)

- Other sizes and lengths

SPECIFICATIONS

For complete specifications and recommended PCB layouts see www.samtec.com/FCS8

- Insulator Material:** Black LCP
- Contact Material:** BeCu
- Contact Plating:** Au or Sn over 50 μ" (1.27 μm) Ni
- Shield:** Nickel Plated Phosphor Bronze
- Operating Temp Range:** -55 °C to +125 °C
- Current Rating:** 1.8 A per pin (1 pin powered)
- RoHS Compliant:** Yes

PROCESSING

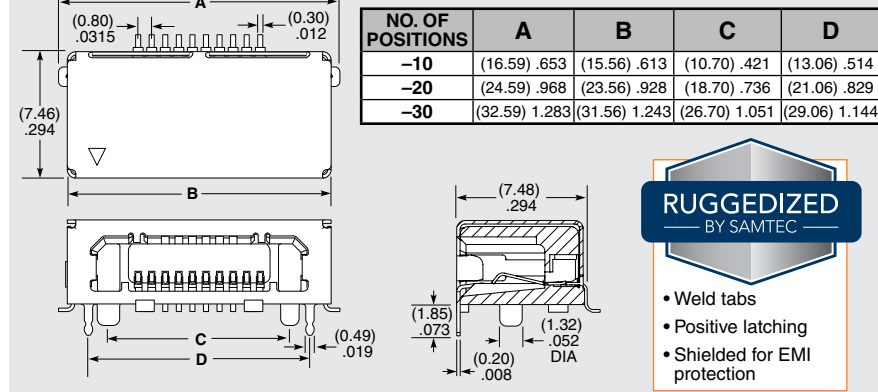
Lead-Free Solderable: Yes
SMT Lead Coplanarity: (0.15 mm) .006" max*
*(.004" stencil solution may be available; contact IPG@samtec.com)

RECOGNITIONS

For complete scope of recognitions see www.samtec.com/quality



FCS8	NO. OF POSITIONS	01	PLATING OPTION	S	A	"X"R
Mates with: FCF8		-10, -20, -30	-L = 10 μ" (0.25 μm) Gold on contact, Matte Tin on tail			-TR = Tape & Reel -FR = Full Reel Tape & Reel (must order max. quantity per reel; contact Samtec for quantity breaks)



NO. OF POSITIONS	A	B	C	D
-10	(16.59) .653	(15.56) .613	(10.70) .421	(13.06) .514
-20	(24.59) .968	(23.56) .928	(18.70) .736	(21.06) .829
-30	(32.59) 1.283	(31.56) 1.243	(26.70) 1.051	(29.06) 1.144



- Weld tabs
- Positive latching
- Shielded for EMI protection

Note: Some lengths, styles and options are non-standard, non-returnable.

Due to technical progress, all designs, specifications and components are subject to change without notice.

X-ON Electronics

Largest Supplier of Electrical and Electronic Components

Click to view similar products for [Ethernet Cables / Networking Cables](#) category:

Click to view products by [Samtec](#) manufacturer:

Other Similar products are found below :

[0152660053](#) [603020002](#) [73-7797-25](#) [73-8890-10](#) [73-8890-14](#) [73-8891-14](#) [73-8891-25](#) [73-8892-50](#) [73-8894-10](#) [73-8894-3](#) [73-8895-14](#) [73-8896-7](#) [MCJB2-10P6Q7-120](#) [84909-0204](#) [9QA0-111-12-3.00](#) [1200650742](#) [1200700174](#) [1200860368](#) [1200650013](#) [1201080008](#) [1-21919-1](#) [1300500373](#) [1300101844](#) [1300101845](#) [130050-0004](#) [1300500014](#) [1410147](#) [E16A06002M030](#) [E200102-009-S1](#) [MT14-187L](#) [17-103530](#) [NK5EPC18RDY](#) [NK5EPC18VLY](#) [NK5EPC18YLY](#) [NK5EPC1GRY](#) [NK5EPC30BLY](#) [NK5EPC30VLY](#) [NK5EPC30YLY](#) [NK5EPC4Y](#) [NK5EPC6YLY](#) [NK5EPC8BLY](#) [NK5EPC9YLY](#) [NK6PC30BUY](#) [NK6PC30GRY](#) [NK6PC30RDY](#) [NK6PC30Y](#) [NK6PC30YLY](#) [1969343-6](#) [C501100010](#) [C501106002](#)