

HIGH-SPEED COST EFFECTIVE COAX CABLE

(0.80 mm) .0315" PITCH • FCF8/FCS8 SERIES



FCF8

Mates:
FCS8



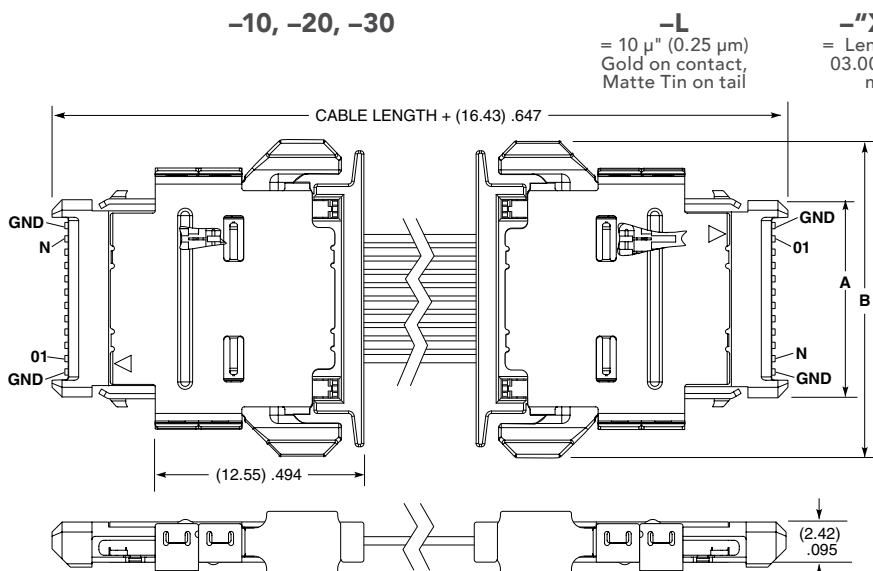
SPECIFICATIONS

Cable:
38 AWG coax
Overmold:
Nylon
Terminal Material:
Phosphor Bronze
Contact Plating:
Au or Sn over
50 μm (1.27 μm) Ni
Operating Temp Range:
-25 °C to +105 °C
Current Rating:
1.8 A per pin
(1 pin powered)

Notes:
Design your full cable assembly with Samtec's High-Speed Cable Builder at www.samtec.com/cablebuilder

Cable lengths longer than 40.00" (1 meter) are not supported with S.I. test data.

Some lengths, styles and options are non-standard, non-returnable.



NO. OF POSITIONS	A	B
-10	(11.85) .467	(19.00) .748
-20	(19.85) .781	(27.00) 1.063
-30	(27.85) 1.096	(35.00) 1.378

ALSO AVAILABLE

Other sizes and lengths (MOQ Required)

FCS8

Mates:
FCF8



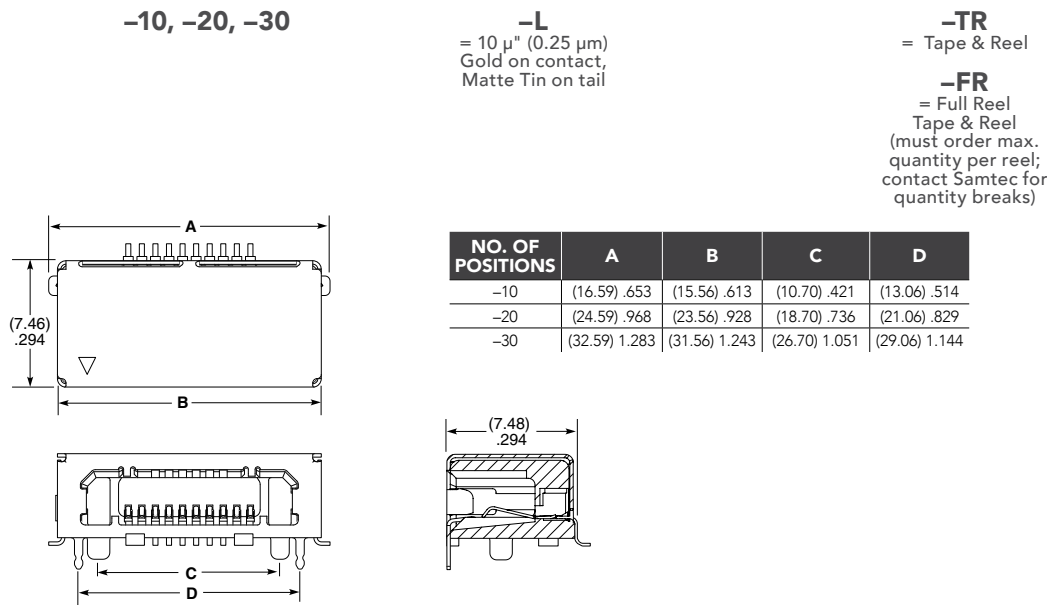
SPECIFICATIONS

Insulator Material:
Black LCP
Contact Material:
BeCu
Contact Plating:
Au or Sn over
50 μm (1.27 μm) Ni
Shield:
Nickel Plated Phosphor Bronze
Operating Temp Range:
-55 °C to +125 °C
Current Rating:
1.8 A per pin
(1 pin powered)

PROCESSING

Lead-Free Solderable:
Yes
SMT Lead Coplanarity:
(0.15 mm) .006" max*
*(.004" stencil solution may be available; contact IPG@samtec.com)

Note:
Some sizes, styles and options are non-standard, non-returnable.



X-ON Electronics

Largest Supplier of Electrical and Electronic Components

Click to view similar products for [I/O Connectors](#) category:

Click to view products by [Samtec](#) manufacturer:

Other Similar products are found below :

[571763P](#) [72.250.1628.2](#) [72.250.2428.2](#) [74720-0505](#) [76.350.0729.0](#) [76871-1403](#) [FCN-244F080-G/1](#) [FCN-260A9920](#) [MP-5T180MUNNA-005](#)
[PCR-E36PM](#) [PCS-XE26MA+](#) [G38A71314B](#) [1571250010](#) [157-22500-3](#) [MS3471L14-19P L/C](#) [91-569786-35H](#) [172501-4002](#) [172501-6002](#)
[FCN-260C008-A/L0](#) [FCN-260C024-AL0](#) [FCN-261Z008](#) [2000314-1](#) [200331-1](#) [PCR-E36FC+](#) [PCS-E28FS+](#) [PCS-XE26SLFD+](#) [PCS-](#)
[XE26SLFDT+](#) [G730VID08BDC24](#) [HDMR-29-01-S-SM-TR](#) [U90B2054081210](#) [UE86K842720321](#) [38113800006](#) [DP3AR020WQ1R200](#)
[Z4.102.0680.0](#) [500-1040](#) [500-1052](#) [500-1054](#) [ZP-4008-66L](#) [0709821002](#) [10-565995-597N](#) [5554841-1](#) [U90B3054061110](#) [U65-E04-4020](#)
[ZPF00000000097891](#) [557-262M2-06C](#) [747360449](#) [10099439-003C-TRLF](#) [10137239-0021LF](#) [E9320-001-01](#) [10137239-0011LF](#)