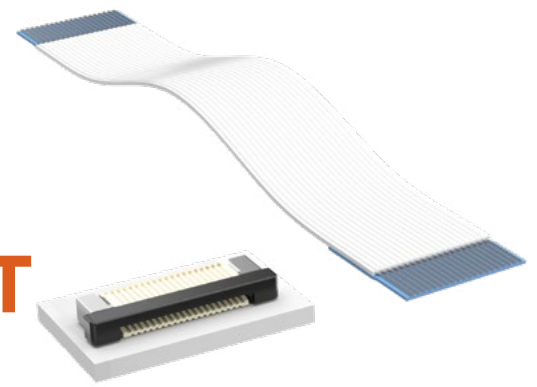


FLAT FLEXIBLE CABLE (FFC) JUMPER & SOCKET



(0.50 mm) .0197" PITCH • FJH/ZF5S SERIES

FJH
Mates:
ZF5S

FJH	NO. OF POSITIONS	STYLE	LENGTH	STRIP LENGTH
-----	------------------	-------	--------	--------------

SPECIFICATIONS

Conductor:
Tin Plated Copper
Conductor Resistance:
1000 Ω/km max
Insulation Resistance:
10 M Ω/km min
(conductor-to-conductor)
Dielectric Test:
400 VAC during 1 minute
(conductor-to-conductor)
Temperature Rating:
-30 °C to +80 °C
Voltage Rating:
60 VAC

-10, -15,
-20, -25, -30,
-40, -43, -50
(Standard sizes)

-D
= Double End

-R
= Reversed End

Length in inches

-03.00
= (76.2 mm) 3.00"

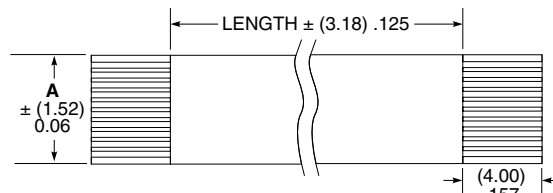
-06.00
= (152.4 mm) 6.00"

-12.00
= (304.8 mm) 12.00"

-24.00
= (609.6 mm) 24.00"

(Standard Lengths)

-4
= (4.00 mm)
.157"

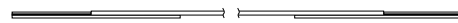


NO. OF POSITIONS	A
-10	(5.50) .217
-15	(8.00) .315
-20	(10.50) .413
-25	(13.00) .512
-30	(15.50) .610
-40	(20.50) .807
-43	(22.00) .866
-50	(25.50) 1.00

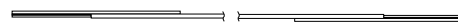
ALSO AVAILABLE

Other Platings
(MOQ Required)

Notes:
Stiffener color will be blue or black at Samtec's discretion. Some sizes, styles and options are non-standard, non-returnable.



-D STYLE



-R STYLE

ZF5S
Mates:
FJH

ZF5S	NO. OF POSITIONS	LEAD STYLE	PLATING OPTION	WT	OPTION
------	------------------	------------	----------------	----	--------

SPECIFICATIONS

Insulator Material:
Natural LCP
Contact Material:
Phosphor Bronze
Plating:
Sn over 50 μ" (1.27 μm) Ni
Weld Tab:
Phosphor Bronze
Operating Temp Range:
-55 °C to +105 °C
Current Rating:
1.8 A per pin
(1 pin powered)

-10, -15, -20, -25,
-30, -40, -43, -50
(Standard sizes)

-01
= Contact Bottom

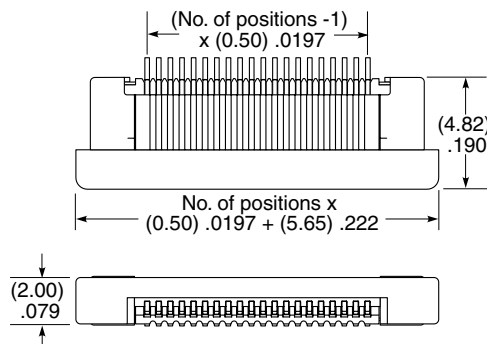
-T
= Matte Tin

-WT
= Weld Tab

-K
= (3.00 mm)
.118" DIA
Polyimide Film
Pick &
Place Pad

-TR
= Tape &
Reel

-FR
= Full Reel
Tape & Reel
(must order
max. quantity
per reel;
contact
Samtec for
quantity breaks)



PROCESSING

Lead-Free Solderable:
Yes
SMT Lead Coplanarity:
(0.10 mm) .004" max (10-30)
(0.15 mm) .006" max (40-50)*
*(.004" stencil solution
may be available; contact
IPG@samtec.com)

Note:
Some sizes, styles and options are non-standard, non-returnable.

ALSO AVAILABLE

MOQ Required

Vertical
Contact top
Other positions

X-ON Electronics

Largest Supplier of Electrical and Electronic Components

Click to view similar products for [FFC / FPC Jumper Cables](#) category:

Click to view products by [Samtec](#) manufacturer:

Other Similar products are found below :

[8-1474659-7](#) [FSK-21.5A-20](#) [FSK-23A](#) [FSK-72.5KD-17](#) [FSN-14.5A-6](#) [FSN-26A](#) [FST-2.75A](#) [9-1474653-6](#) [1474494-5](#) [1474659-1](#) [1474448-1](#)
[1557385-1](#) [2-1437211-4](#) [22034.1](#) [2-6447164-4](#) [1-6437133-3](#) [1-6437151-8](#) [FSK-11A](#) [FSN-21.5A-32](#) [FSN-24A](#) [FSP-23A-11](#) [2-1437181-9](#) [2-](#)
[6474621-5](#) [4-1437186-9](#) [4-1474659-8](#) [3-1437144-3](#) [3-1474654-4](#) [4-1437180-7](#) [5-1437166-5](#) [5-1474653-2](#) [5-1474654-9](#) [1-1474671-7](#) [6-](#)
[6437158-0](#) [5-1474653-4](#) [D130361-5](#) [6-1437180-7](#) [2-1474640-4](#) [1474544-1](#) [7-6474640-3](#) [8-1474566-1](#) [8-1474644-8](#) [1-1437164-8](#) [8-](#)
[1474653-5](#) [9-1474653-5](#) [151680990](#) [08-015-173](#) [5-1437209-2](#) [1437190-1](#) [2-6437158-6](#) [3-1437213-7](#)