

DO NOT SCALE FROM THIS PRINT

TABLE 1				
LEAD STYLE	TERMINAL	"B"	TUBE (SEE NOTE 9)	PLUG
-01	T-1M6-13-X-2	.230 [5.84]	PT-1-24-01-46	TP-12
-01 (W / PAD OPTION)	T-1M6-13-X-2	.230 [5.84]	PT-1-24-05-29	TP-03
-02	T-1M6-30-X-2	.100 [2.54]	PT-1-24-02-29	TP-24
-02 (W / PAD OPTION)	T-1M6-30-X-2	.100 [2.54]	PT-1-24-05-29	TP-03
-03 (W / PAD OPTION)	T-1M6-04-X-2	.125 [3.18]	PT-1-24-04-15	TP-09
-03 (NO OPTIONS)	T-1M6-04-X-2	.125 [3.18]	PT-1-24-02-29	TP-24
-21	N/A	.230 [5.84]	N/A	N/A
-51	T-1M6-13-X-2	.190 [4.83]	PT-1-24-02-29	TP-24
-52	T-1M6-13-X-2	.205 [5.21]	PT-1-24-10-29	TP-24
-52 (W / PAD OPTION)	T-1M6-13-X-2	.205 [5.21]	PT-1-24-05-29	TP-03
-53	T-1M6-05-X-2	.285 [7.24]	PT-1-24-02-29	TP-24
-54 (6-50 POSITION)	T-1M6-15-X-2	.335 [8.51]	PT-1-24-13-29	TP-24
-54 (5 POSITION)	T-1M6-15-X-2	.335 [8.51]	PT-1-24-10-29	TP-24
-55	T-1M6-16-X-2	.390 [9.91]	PT-1-24-10-29	TP-24
-56	T-1M6-16-X-2	.405 [10.29]	PT-1-24-10-29	TP-24
-57	T-1M6-16-X-2	.430 [10.92]	PT-1-24-03-71	TP-24
-58	N/A	.485 [12.32]	N/A	N/A
-59	N/A	.535 [13.59]	N/A	N/A
-60	N/A	.605 [15.37]	N/A	N/A
-53, -54, -55, -56, -57-60 (W / PAD OPTION)	N/A	N/A	PT-1-24-03-71	TP-09

FTR-1XX-XX-XX-S-XX-XX

No OF POSITIONS
-02 THRU -40

OPTION
-P: PICK & PLACE PAD
(USE PPP-11, SEE FIG 2)
-TR: TAPE & REEL
(4 POS MIN)

LEAD STYLE
SEE TABLE 1

PLATING SPECIFICATION
(VALUES GIVEN ARE IN MICRO-INCHES)
-G: GOLD, 10 Au / 50 Ni MIN ON CONTACT,
3 Au / 50 Ni MIN ON TAIL
-T: MATTE TIN CONTACT AND TAIL
-S: SELECTIVE, 30 Au / 50 Ni MIN
ON CONTACT, MATTE TIN TAIL
-F: FLASH SELECTIVE, 3 Au / 50 Ni MIN
ON CONTACT, MATTE TIN TAIL
(LEAD STYLE SPEC -01 ONLY)
-SM: SELECTIVE, 30 Au / 50 Ni MIN
ON CONTACT, MATTE TIN TAIL
-TM: MATTE TIN CONTACT AND TAIL
-FM: FLASH SELECTIVE, 3 Au / 50 Ni MIN
ON CONTACT, MATTE TIN TAIL
-L: LIGHT SELECTIVE, 10 Au / 50 Ni MIN
ON CONTACT, MATTE TIN TAIL

OPTION
-XX: -POLARIZING SPECIFICATION
(XX INDICATES POS TO BE OMITTED)

ROW SPECIFICATION
-S: SINGLE (USE HTMS-50-S)

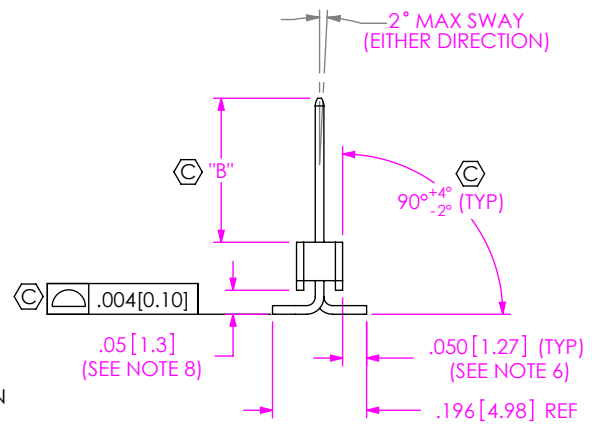
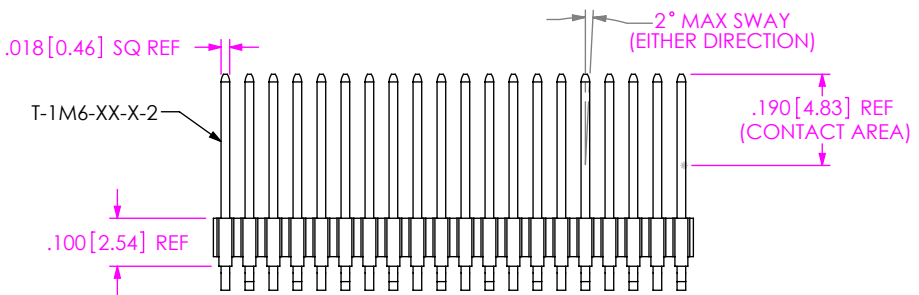
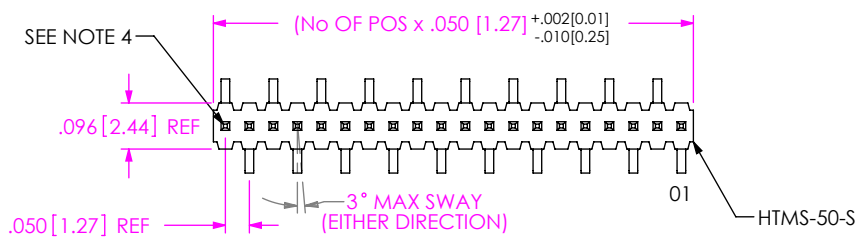
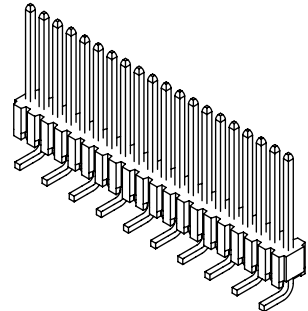


FIG 1
FTR-1XX-XX-X-S SHOWN

- NOTES:
- ⊕ REPRESENTS A CRITICAL DIMENSION.
 - MAXIMUM CUT FLASH: .010[0.25]
 - MINIMUM PUSHOUT FORCE: 2 LB
 - MAXIMUM PIN ROTATION IN BODY: 2°
 - MAXIMUM ALLOWABLE BOW AFTER ASSEMBLY: .005[0.13] INCH/INCH
 - SHEAR TAILS TO DIMENSION SHOWN.
 - MAXIMUM BURR ALLOWANCE: .003[0.08]
 - MEASURED AT BEND RADIUS.
 - TUBE POSITIONS -05 THRU -50 ONLY FOR THIS LEAD STYLE.

TABLE 2	
TERMINAL LENGTH	* "L"
-04	.505 [12.83]
-05	.705 [17.91]
-13	.625 [15.88]
-15	.755 [19.18]
-16	.825 [20.96]

* REF FOR OAL PIN LENGTH

UNLESS OTHERWISE SPECIFIED, DIMENSIONS ARE IN INCHES.
TOLERANCES ARE:
DECIMALS ANGLES
.XX: ±.01 [.3] 2°
.XXX: ±.005 [.13]
.XXXX: ±.0020 [.051]

MATERIAL: DO NOT SCALE DRAWING SHEET SCALE: 2.5:1
INSULATOR: LCP, UL 94 VO
COLOR: BLACK
TERMINAL: PHOS BRONZE

PROPRIETARY NOTE
THIS DOCUMENT CONTAINS CONFIDENTIAL AND PROPRIETARY INFORMATION AND ALL DESIGN, MANUFACTURING, REPRODUCTION, USE, PATENT RIGHTS AND SALES RIGHTS ARE EXPRESSLY RESERVED BY SAMTEC, INC. THIS DOCUMENT SHALL NOT BE DISCLOSED, IN WHOLE OR PART, TO ANY UNAUTHORIZED PERSON OR ENTITY NOR REPRODUCED, TRANSFERRED OR INCORPORATED IN ANY OTHER PROJECT IN ANY MANNER WITHOUT THE EXPRESS WRITTEN CONSENT OF SAMTEC, INC.



520 PARK EAST BLVD, NEW ALBANY, IN 47150
PHONE: 812-944-6733 FAX: 812-948-5047
e-Mail info@SAMTEC.com code 55322

DESCRIPTION:
HI-TEMP TERMINAL MICRO-STRIP (SINGLE ROW)

DWG. NO. FTR-1XX-XX-XX-S-XX-XX

BY: BRATCHER 7-10-95 SHEET 1 OF 2

"N" = USE MEASURED DIMENSION
 "Q" = $\{("N" - .400 [10.16]) / 2\} \pm .020 [0.51]$

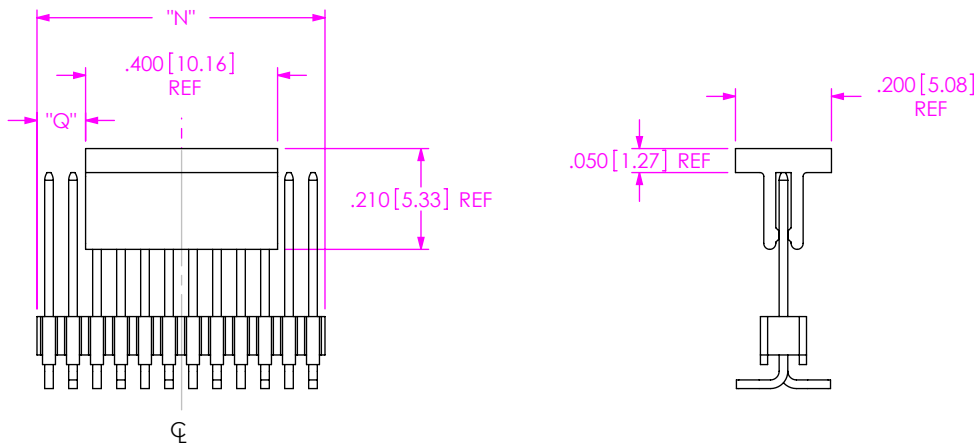


FIG 2
 -P: PICK AND PLACE PAD
 AVAILABLE ON 08 - 40 POSITIONS ONLY

PROPRIETARY NOTE
 THIS DOCUMENT CONTAINS CONFIDENTIAL AND PROPRIETARY INFORMATION AND ALL DESIGN, MANUFACTURING, REPRODUCTION, USE, PATENT RIGHTS AND SALES RIGHTS ARE EXPRESSLY RESERVED BY SAMTEC, INC. THIS DOCUMENT SHALL NOT BE DISCLOSED, IN WHOLE OR PART, TO ANY UNAUTHORIZED PERSON OR ENTITY NOR REPRODUCED, TRANSFERRED OR INCORPORATED IN ANY OTHER PROJECT IN ANY MANNER WITHOUT THE EXPRESS WRITTEN CONSENT OF SAMTEC, INC.

DO NOT SCALE DRAWING

SHEET SCALE: 2.5:1



520 PARK EAST BLVD, NEW ALBANY, IN 47150
 PHONE: 812-944-6733 FAX: 812-948-5047
 e-Mail info@SAMTEC.com code 55322

DESCRIPTION:
 HI-TEMP TERMINAL MICRO-STRIP (SINGLE ROW)

DWG. NO. **FTR-1 XX-XX-XX-S-XX-XX**

BY: BRATCHER 7-10-95

SHEET 2 OF 2

X-ON Electronics

Largest Supplier of Electrical and Electronic Components

Click to view similar products for [Headers & Wire Housings](#) category:

Click to view products by [Samtec](#) manufacturer:

Other Similar products are found below :

[892-18-020-10-001101](#) [58102-G61-06LF](#) [582553-1](#) [0009485154](#) [009176003701906](#) [0050291907](#) [LY20-4P-DT1-P1E-BR](#) [02.125.8002.8](#)
[609-3404](#) [61062-3](#) [61082-181009](#) [622-3653LF](#) [63453-116](#) [636-1030](#) [636-1427](#) [636-3427](#) [636-4007](#) [641938-9](#) [641991-4](#) [644827-2](#) [65817-](#)
[010LF](#) [65817-015LF](#) [65863-015LF](#) [66207-023LF](#) [67095-007LF](#) [67601157](#) [68645-018](#) [68648-049](#) [70.362.1628.0](#) [70-4210](#) [70-4226B](#) [70-](#)
[4853B](#) [707-5020](#) [707-5028](#) [71.350.2428.0](#) [71918-208LF](#) [71961-016LF](#) [733-134](#) [733-162](#) [754199-000](#) [760-3052](#) [79531-3000](#) [FCN-](#)
[360C032-B](#) [FCN-367T-T012/H](#) [FCN-723D010/2](#) [80.063.4001.1](#) [800-90-010-10-002000](#) [801-43-002-10-013000](#) [801-43-006-10-002000](#)
[801-93-011-10-001000](#)