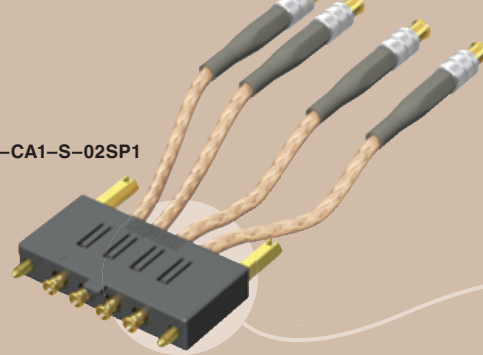




(5,00 mm) .197"

GRF1H SERIES

GRF1H-04-0300-1-CA1-S-02SP1



50Ω HYBRID MICRO-MINI RF CABLE

SPECIFICATIONS

For complete specifications see www.samtec.com?GRF1H

RF Connector:

- Shell Material: Brass
- Insulator Material: PTFE
- Contact Material: BeCu
- Pin Material: Brass
- Operating Temp Range: -40°C to +90°C
- Impedance: 50Ω
- RoHS Compliant: Yes

RG 316 Cable:

- Impedance: 50Ω
- Capacitance: 96.432 pF/meter
- Propagation Delay: 4.83 nsec/meter
- Max Attenuation (cable only): 1.25dB @ 1GHz for 1 meter
- Conductor Size: 26 AWG, (0,51 mm) .020" dia.
- Conductor Material: Silver Plated Copper
- Insulator Material: PTFE
- Shield Material: Silver Plated Copper Clad Steel
- Jacket Material: FEP
- Jacket Diameter: (2,54 mm) .100"
- Jacket Color: Amber
- RoHS Compliant: Yes

Mates with:
GRF1-J, SMA,
MCX, SMB5, MMCX,
SSMB, BNC5, TNC

High performance
26 AWG RG 316
coax cable

2, 4, 6 or 8
Positions

MMCX-Scale
Connectors

Optional Captive
Panel Screws



GRF1H

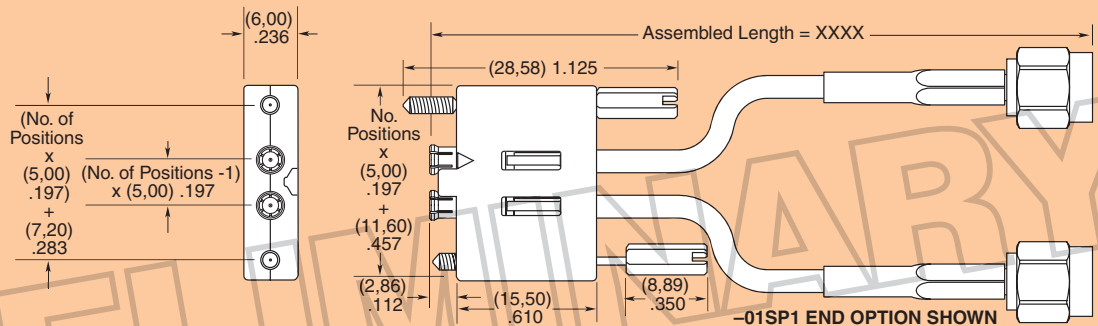
NO. OF
POSITIONS

ASSEMBLED
LENGTH

-02, -04, -06, -08

- "XXXX"

= Assembled Length in millimeters
-0100 (0100 mm) 3.94" minimum



END OPTIONS	
-01SP1 = SMA, Straight Plug (30µ" (0,76 µm) Gold on Center Contact, Gold Flash on Shell)	
-01RP1 = SMA, Right Angle Plug (30µ" (0,76 µm) Gold on Center Contact, Gold Flash on Shell)	
-02SJ1 = MCX, Straight Jack (30µ" (0,76 µm) Gold on Center Contact, Gold Flash on Shell)	

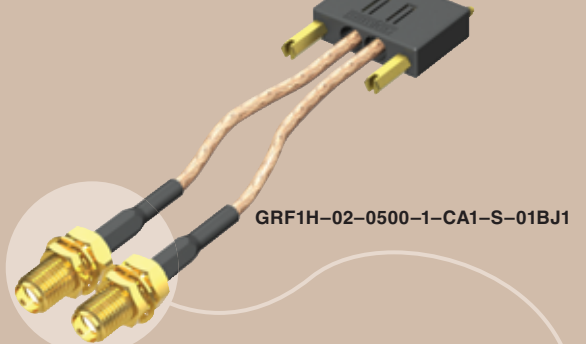
END OPTIONS	
-01PN1 = SMA, Straight Panel Mount Jack (30µ" (0,76 µm) Gold on Center Contact, Gold Flash on Shell)	
-02SP1 = MCX, Straight Plug (30µ" (0,76 µm) Gold on Center Contact, Gold Flash on Shell)	

Note:
Cable lengths longer than 40.00" (1 meter) are not supported with S.I. test data.

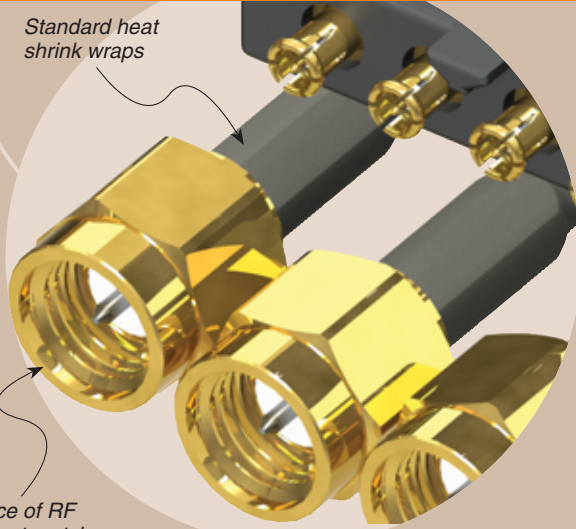
Note:
This Series is non-standard, non-returnable.

Due to technical progress, all designs, specifications and components are subject to change without notice.

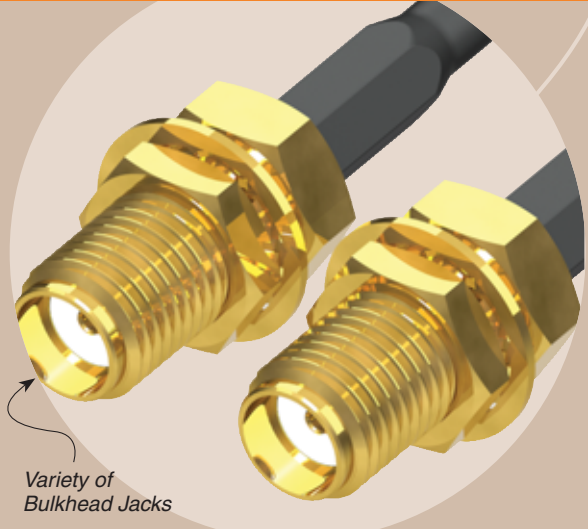
WWW.SAMTEC.COM



Standard heat shrink wraps



Choice of RF connector styles



Variety of Bulkhead Jacks

END 1 PLATING

CABLE TYPE

SCREW OPTION

END 2 OPTION

-1

= All Gold components

-CA1

= RG 316 cable

-S

= Captive Panel Screws
(Leave blank for no Screw Option)

Specify END OPTIONS from chart

END OPTIONS		END OPTIONS		END OPTIONS	
-01BJ1 = SMA, Straight Bulkhead Jack		-04SP3 = BNC, Straight Plug (10µ" (0,25 µm) Gold on Center Contact, Nickel on Shell)		-06BJ3 = N Type, Straight Bulkhead Jack (10µ" (0,25 µm) Gold on Center Contact, Nickel on Shell)	
-01BR1 = SMA, Straight Bulkhead Jack, Reversed Polarity		-04BJ3 = BNC, Straight Bulkhead Jack (10µ" (0,25 µm) Gold on Center Contact, Nickel on Shell)		-07SP2 = SMB, Straight Plug (30µ" (0,76 µm) Gold on Center Contact, Gold Flash on Shell)	
-01SB1 = SMA, Straight Bulkhead Jack, Sealed		-05SP3 = TNC, Straight Plug (10µ" (0,25 µm) Gold on Center Contact, Nickel on Shell)		-07RP2 = SMB, Right Angle Plug (30µ" (0,76 µm) Gold on Center Contact, Gold Flash on Shell)	
-01SR1 = SMA, Straight Bulkhead Jack, Sealed, Reversed Polarity (30µ" (0,76 µm) Gold on Center Contact, Gold Flash on Shell)		-05BJ3 = TNC, Straight Bulkhead Jack (10µ" (0,25 µm) Gold on Center Contact, Nickel on Shell)		-13GP1 = GRF, Straight Plug (30µ" (0,76 µm) Gold on Center Contact, Gold Flash on Shell)	
-02RP1 = MMCX, Right Angle Plug (30µ" (0,76 µm) Gold on Center Contact, Gold Flash on Shell)		-07BJ1 = SMB, Straight Bulkhead Jack (30µ" (0,76 µm) Gold on Center Contact, Gold Flash on Shell)		-13GJ1 = GRF, Straight Jack (30µ" (0,76 µm) Gold on Center Contact, Gold Flash on Shell)	
-03SP1 = MMCX, Straight Plug (30µ" (0,76 µm) Gold on Center Contact, Gold Flash on Shell)		-S7SP4 = SSMB, Straight Plug (10µ" (0,25 µm) Gold on Center Contact, Nickel on Shell)			
-03RP1 = MMCX, Right Angle Plug (30µ" (0,76 µm) Gold on Center Contact, Gold Flash on Shell)		-S7RP4 = SSMB, Right Angle Plug (10µ" (0,25 µm) Gold on Center Contact, Nickel on Shell)			

Due to technical progress, all designs, specifications and components are subject to change without notice.

WWW.SAMTEC.COM

SAMTEC USA • Tel: 1-800-SAMTEC-9 or 812-944-6733 SAMTEC NORTHERN CALIFORNIA • Tel: 408-395-5900 SAMTEC SOUTHERN CALIFORNIA • Tel: 1-800-726-8329
 SAMTEC AMERICA LATINA COMERCIO EXTERIOR LTDA • Tel: (455 31) 3786 3227 SAMTEC UNITED KINGDOM • Tel: 44 01236 739292 SAMTEC GERMANY • Tel: +49 (0) 89 / 89460-0
 SAMTEC FRANCE • Tel: 33 01 60 95 06 60 SAMTEC ITALY • Tel: 39 039 6890337 SAMTEC NORDIC/BALTIC • Tel: +46-84477280 SAMTEC BENELUX • Tel: 44 01236 739292
 SAMTEC ISRAEL • Tel: 972-3-7526600 SAMTEC INDIA • Tel: +91-80-3272 1612 SAMTEC ASIA PACIFIC • Tel: 65 6745-5955 SAMTEC JAPAN • Tel: 045-475-1385 SAMTEC CHINA • Tel: 86-21-6083 3766
 SAMTEC TAIWAN • Tel: 886-2-2735-6109 SAMTEC HONG KONG • Tel: 852-26904858 SAMTEC KOREA • Tel: 82-31-717-5685 SAMTEC ANZ • Tel: 613 9580 0683

X-ON Electronics

Largest Supplier of Electrical and Electronic Components

Click to view similar products for [RF Cable Assemblies](#) category:

Click to view products by [Samtec](#) manufacturer:

Other Similar products are found below :

[73-6352-10](#) [73-6353-3](#) [73-6364-6](#) [R285001001](#) [R288940004](#) [145111-05-12.00](#) [1661-C-24](#) [1801171170914KE](#) [24P104C24J1-012](#)
[24P104C24P1-006](#) [24P104C24P1-018](#) [24P204C24J1-003](#) [172-2150-EX](#) [1800920920914PJ](#) [FCB-3030-ALT](#) [21117-046](#) [21117-050](#) [PCX-24-](#)
[50](#) [24P103C24P2-003](#) [25P203C25P2-003](#) [R284008001](#) [R285001021](#) [R285426000](#) [R288940003](#) [4814-BB-24](#) [5260-72](#) [JT2N1-CL1-1F](#) [DLP-](#)
[COAX1](#) [4814-K-48](#) [115101-09-06.00](#) [MXHT83QE3000](#) [CCNTN2-MM-LL335-26](#) [73-6351-25](#) [73-6352-3](#) [73-6353-25](#) [1800920920610PJ](#)
[GD0BQ0BQ024.0](#) [1-3636-600-5210](#) [TL8A-11SMA-11SMA-01500-51](#) [R284C0351060](#) [R288940009](#) [R284C0351028](#) [R288940002](#) [9702-](#)
[1SL-1](#) [PT82NSMA](#) [73-6353-10](#) [R285020301W](#) [PCX-18-50](#) [Minibend-9](#) [Minibend-4](#)