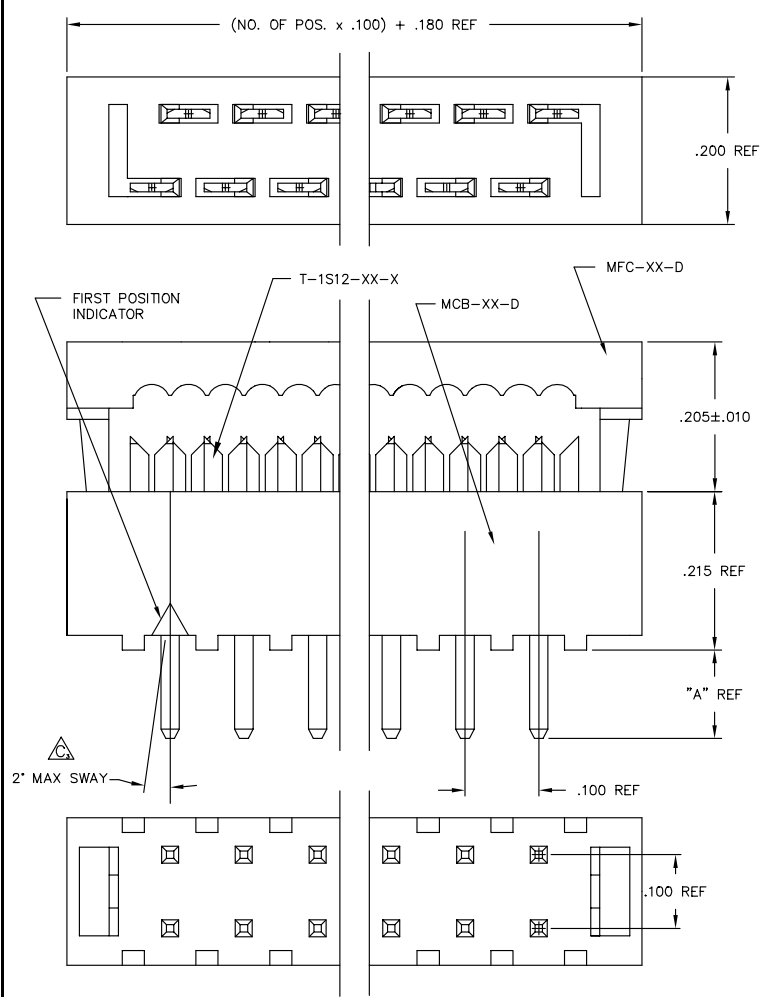


REVISION E

DIMENSIONS ARE IN INCHES		UNLESS OTHERWISE NOTED		TOLERANCES ARE:	
ONE PLACE DECIMALS ±.1	THREE PLACE DECIMALS ± .005	ANGLES ± 2°			
TWO PLACE DECIMALS ±.01	FOUR PLACE DECIMALS ± .0020				

TITLE: .100 ϕ IDC MOLD TO POSITION MALE SUB-ASSEMBLY

DWG NO: HCMD-XX-XX-X
SHEET 1 OF 1



HCMD-XX-XX-X

- NO. OF POS. PER ROW
- 02, -03, -04, -05,
 - 07, -08, -09, -10,
 - 13, -14, -15, -17,
 - 20, -25, -30, -32,
 - 36

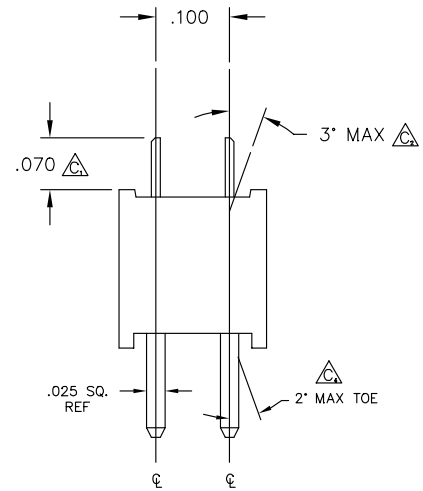
OPTIONS

- S: SELECTIVE PLATING
USE T-1S12-XX-S)
- (LEAVE BLANK FOR
STANDARD TIN PLATING AND
USE T-1S12-XX-T)

LEAD STYLE

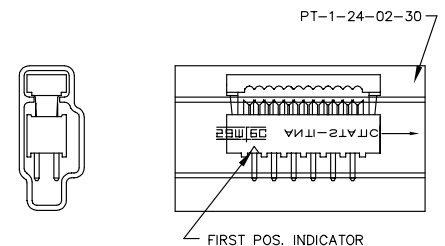
- 01: USE T-1S12-01-X
(SEE TABLE 1)
- 02: USE T-1S12-02-X
(SEE TABLE 1)

END VIEW SHOWN WITH
MFC-XX-D REMOVED



LEAD STYLE	"A"
-01	.120
-02	.230

POSITION PARTS IN TUBE AS SHOWN



ARROW TO POINT AWAY FROM FIRST POS. INDICATOR

DO NOT SCALE FROM THIS PRINT

- NOTES:
1. RETENTION FORCE OF TERMINAL IN BODY TO BE 2 lbs. MIN
 2. Δ REPRESENTS CRITICAL DIMENSION FOR STATISTICAL PROCESS CONTROL.

PROPRIETARY NOTE
THIS DOCUMENT CONTAINS INFORMATION CONFIDENTIAL AND PROPRIETARY TO SAMTEC INC. AND SHALL NOT BE REPRODUCED OR TRANSFERRED TO OTHER DOCUMENTS OR DISCLOSED TO OTHERS OR USED FOR ANY PURPOSE OTHER THAN THAT FOR WHICH IT WAS OBTAINED WITHOUT THE EXPRESSED WRITTEN CONSENT OF SAMTEC INC.

samtec

520 PARK EAST BLVD. NEW ALBANY, INDIANA 47150
PHONE (812) 944-6733 P.O. BOX 1147
CODE 55322

MADE BY: KOLB 9-27-91	ENG. APPROVAL	HCMD-XX-XX-X SHEET 1 OF 1
CHECKED BY: McCARTIN	D.E.M	

X-ON Electronics

Largest Supplier of Electrical and Electronic Components

Click to view similar products for [Headers & Wire Housings](#) category:

Click to view products by [Samtec](#) manufacturer:

Other Similar products are found below :

[892-18-020-10-001101](#) [58102-G61-06LF](#) [582553-1](#) [0009485154](#) [009176003701906](#) [0050291907](#) [LY20-4P-DT1-P1E-BR](#) [02.125.8002.8](#)
[609-3404](#) [61062-3](#) [61082-181009](#) [622-3653LF](#) [63453-116](#) [636-1030](#) [636-1427](#) [636-3427](#) [636-4007](#) [641938-9](#) [641991-4](#) [644827-2](#) [65817-](#)
[010LF](#) [65817-015LF](#) [65863-015LF](#) [66207-023LF](#) [67095-007LF](#) [67601157](#) [68645-018](#) [68648-049](#) [70.362.1628.0](#) [70-4210](#) [70-4226B](#) [70-](#)
[4853B](#) [707-5020](#) [707-5028](#) [71.350.2428.0](#) [71918-208LF](#) [71961-016LF](#) [733-134](#) [733-162](#) [754199-000](#) [760-3052](#) [79531-3000](#) [FCN-](#)
[360C032-B](#) [FCN-367T-T012/H](#) [FCN-723D010/2](#) [80.063.4001.1](#) [800-90-001-10-001000](#) [800-90-010-10-002000](#) [801-43-002-10-013000](#)
[801-43-006-10-002000](#)