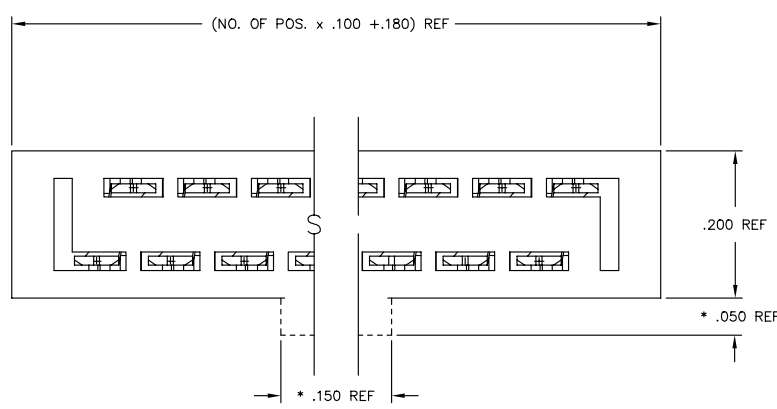


REVISIONS	
A	09/30/91 EN-3444 MK McCARTIN RELEASE FOR PRODUCTION
B	11/06/91 EN-3489 MK ECKERT ADD PACKAGING TUBE SPECS.
C	12/11/91 EN-3523 MK ECKERT CHG. ORIENTATION OF LOGO ON PACKAGING TUBE.
D	02/06/92 EN-3619 GP CHILTON 2-7 SPECIFY SUB-ASSEMBLY TO BE USED IN LEAD STYLE & OPTION. CHG FIRST POSITION INDICATOR.
E	03/13/92 EN-3672 TP CHILTON 3-13 CHG FSB SUB-ASSEMBLY CALL-OUTS TO C-47-X
F	05/04/93 EN-4222 GP ECKERT ADD -P: POLARIZED MATING OPTION.

DIMENSIONS ARE IN INCHES		UNLESS OTHERWISE NOTED		TOLERANCES ARE:	
ONE PLACE DECIMALS ±.1	THREE PLACE DECIMALS ± .005	ANGLES ± 2°			
TWO PLACE DECIMALS ±.01	FOUR PLACE DECIMALS ± .0020				

TITLE: 100 ♀ IDC MOLD TO POSITION FEMALE SUB-ASSEMBLY

DWG NO: HCS D-XX-XX-XXX
SHEET 1 OF 1



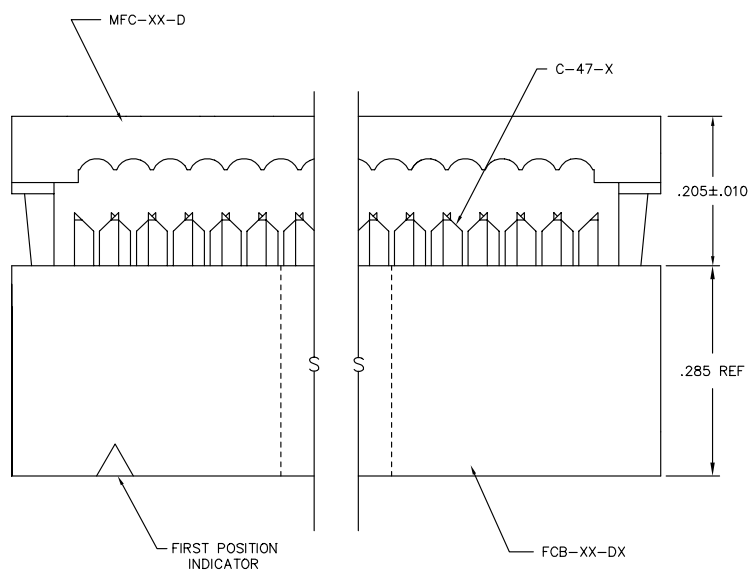
HCS D-XX-XX-XXX

- NO. OF POS. PER ROW
- 02, -03, -04, -05,
 - 07, -08, -09, -10,
 - 13, -14, -15, -17,
 - 20, -25, -30, -32,
 - 36

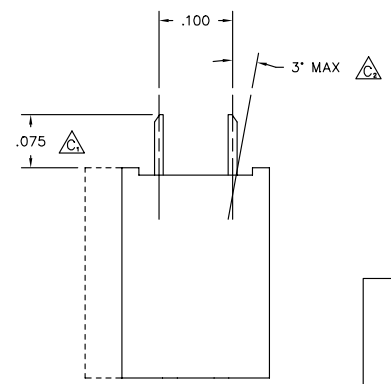
OPTION
-P"XX": POLARIZED MATING
USE PK-06

- OPTIONS
- T: TIN PLATING
USE C-47-T
(LEAVE BLANK FOR STANDARD SELECTIVE PLATING & USE C-47-S)
 - N: NOTCH POLARIZATION (SEE * DIMS. & NOTE 2)
USE FCB-XX-DP
(LEAVE BLANK FOR STANDARD AND USE FCB-XX-D)

LEAD STYLE
-01: USE C-47-X



END VIEW SHOWN WITH
MFC-XX-D REMOVED



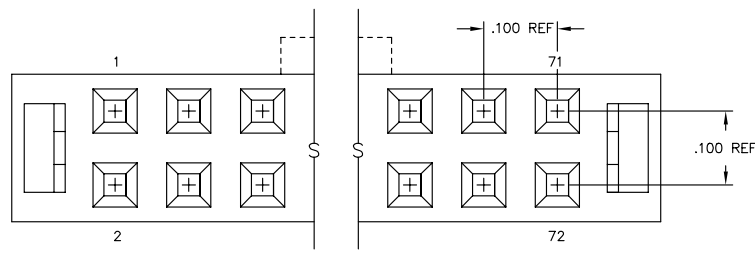
-P"XX"
POLARIZED MATING
XX = POSITION NO.
INSERT POLARIZING KEY PART NO. PK-06
INTO SPECIFIED POSITION -XX

POSITION PARTS IN TUBE AS SHOWN

PT-1-24-02-30

FIRST POS. INDICATOR

ARROW TO POINT AWAY FROM FIRST POS. INDICATOR



- NOTES
1. RETENTION FORCE OF CONTACT IN BODY TO BE 1/2 lbs. MIN.
 2. * = OPTIONAL POLARIZING KEY - NOT AVAILABLE ON POS. -02 THRU -05.
 3. ⚠ REPRESENTS CRITICAL DIMENSION FOR STATISTICAL PROCESS CONTROL.

PROPRIETARY NOTE
THIS DOCUMENT CONTAINS INFORMATION CONFIDENTIAL AND PROPRIETARY TO SAMTEC INC. AND SHALL NOT BE REPRODUCED OR TRANSFERRED TO OTHER DOCUMENTS OR DISCLOSED TO OTHERS OR USED FOR ANY PURPOSE OTHER THAN THAT FOR WHICH IT WAS OBTAINED WITHOUT THE EXPRESSED WRITTEN CONSENT OF SAMTEC INC.

samtec HCS D-S EP/CABLE

810 PROGRESS BLVD. NEW ALBANY, INDIANA 47150
PHONE (812) 944-6733 P.O. BOX 1147
CODE 55322

MADE BY: KOLB 9-27-91
CHECKED BY: McCARTIN

ENG. APPROVAL
D.E.M

HCS D-XX-XX-XXX
SHEET 1 OF 1

X-ON Electronics

Largest Supplier of Electrical and Electronic Components

Click to view similar products for [Ribbon Cables / IDC Cables](#) category:

Click to view products by [Samtec](#) manufacturer:

Other Similar products are found below :

[FSK-12A](#) [AWG28-10G](#) [EHJ3C](#) [EHJ4C](#) [cab-LVDV-PWR-10-15](#) [FSP-25A](#) [3365/15 \(100FT\)](#) [cab-LVDV-DAT-34-15](#) [49635-C62-S2](#) [1-3636-600-5204](#) [92315-1408](#) [426171120-3](#) [3625/08 \(100M\)](#) [0044704](#) [2-1589735-3](#) [JSM015PP2DCC23N](#) [92301-0283](#) [ACL-eSSI-2](#) [92301-0718](#) [MMSDT-06-20-S-05.5-D-K-LDX](#) [IDD-04-G](#) [NM-2J2-051-PS1-JJAB](#) [1700/14SF \(100FT\)](#) [1700/26SF \(100FT\)](#) [1700/34SF \(100FT\)](#) [3801/09 \(100FT\)](#) [DS1057-06A282R-30.5](#) [DS1057-12A282R-30.5](#) [DS1057-14A282R-76.5](#) [DS1057-20A282R-76.5](#) [DS1057-24A282R-76.5](#) [DS1057-26A282R-76.5](#) [DS1057-30A282R-76.5](#) [DS1057-34A282R-76.5](#) [DS1057-40A282R-76.5](#) [DS1057-60A282R-76.5](#) [DS1057-64A282R-76.5](#) [DS1058-08M28-30.5](#) [DS1058-30M28-30.5](#) [3750/10 \(100FT\)](#) [0015712](#) [0015905](#) [S30109](#) [11203](#) [11223](#) [11243](#) [11262](#) [0037147](#) [0022512](#) [0022412](#)