

HIGH-DENSITY HIGH-SPEED I/O SYSTEM

(0.635 mm) .025" PITCH • HDLSP/HDI6/HDC SERIES



HDLSP

Mates:
HDI6

| SERIES | NO. OF POSITIONS | LENGTH | OPTION |
|--------|------------------|--------|--------|
|--------|------------------|--------|--------|

SPECIFICATIONS

Cable:
32 AWG low skew pair cable

Insulator Material:
LCP

Terminal Material:
Phosphor Bronze

Jacket Material:
PVC

Insulator:
Dielectric

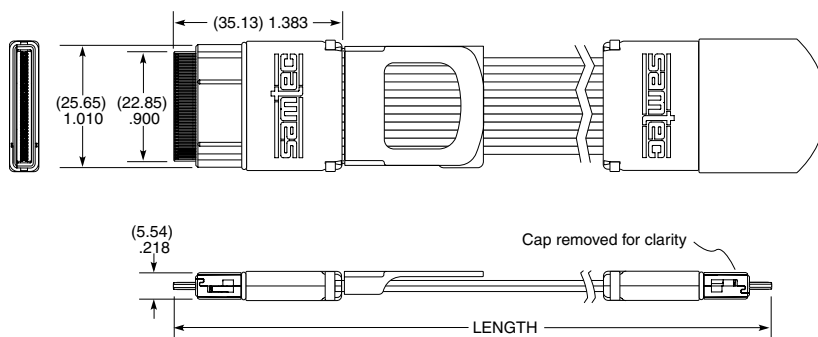
Conductors:
Copper

Braid:
Tinned Copper

Covers:
Diecast Zinc Alloy

Current Rating:
1.5 A per pin
(4 adjacent pins powered)

| | | | |
|--|---|---|-------------------------------|
| HDLSP = High-density Low Skew Pair Cable | -035 (Per Row) = 12 Pairs per side | -"XXXX" = Length in millimeters -1000, -2000 (Standard lengths) | -L = Positive Latch |
|--|---|---|-------------------------------|



HDLSP-035-XXX-L SHOWN
Some components not shown for clarity

Note:
Some lengths, styles and options are non-standard, non-returnable.

HDI6

Mates:
HDLSP

| HDI6 | NO. OF POSITIONS | 01 | RA | "X"R | SERIES | NO. OF POSITIONS | OPTION | L |
|------|------------------|----|----|------|--------|------------------|--------|---|
|------|------------------|----|----|------|--------|------------------|--------|---|

SPECIFICATIONS

Insulator Material:
Black LCP

Terminal Material:
Phosphor Bronze

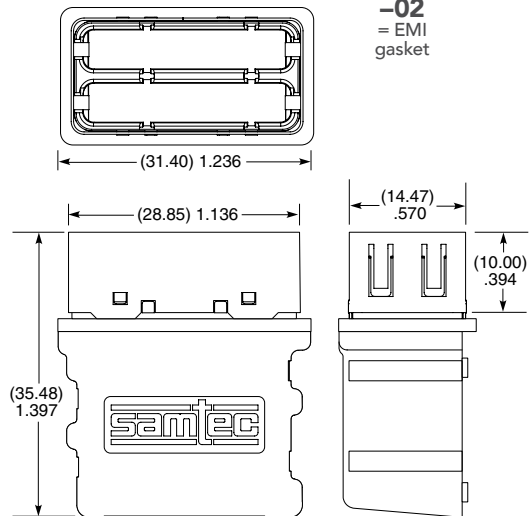
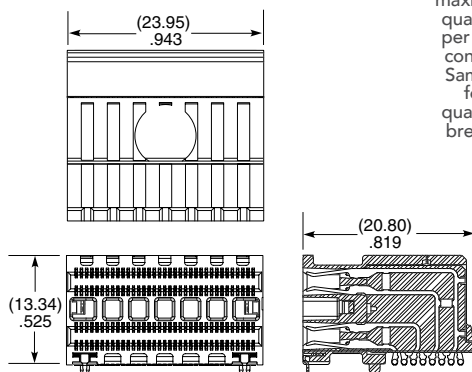
Plating:
Au or Sn over 50 μ" (1.27 μm) Ni

Current Rating:
1.5 A per pin
(4 adjacent pins powered)

Operating Temp Range:
-25 °C to +105 °C

Voltage Rating:
150 VAC

| | | | | | |
|--------------------------|-----------------------------|----------------------|--|--------------------------------------|---------------------------|
| -035 (Per Row) | -TR = Tape & Reel | -01 = Cage | -FR = Full Reel Tape & Reel (must order maximum quantity per reel; contact Samtec for quantity breaks) | -035 = Number of positions | -01 = No gasket |
|--------------------------|-----------------------------|----------------------|--|--------------------------------------|---------------------------|



HDC-035-02-L SHOWN

Notes:
For HT3.1 see www.samtec.com/ht3 and specify part number ASP-149117-01

Some lengths, styles and options are non-standard, non-returnable.

X-ON Electronics

Largest Supplier of Electrical and Electronic Components

Click to view similar products for [I/O Connectors](#) category:

Click to view products by [Samtec](#) manufacturer:

Other Similar products are found below :

[571763P](#) [72.250.1628.2](#) [72.250.2428.2](#) [74720-0505](#) [76.350.0729.0](#) [76871-1403](#) [FCN-244F080-G/1](#) [FCN-260A9920](#) [MP-5T180MUNNA-005](#)
[PCR-E36PM](#) [PCS-XE26MA+](#) [G38A71314B](#) [1571250010](#) [157-22500-3](#) [MS3471L14-19P L/C](#) [91-569786-35H](#) [172501-4002](#) [172501-6002](#)
[FCN-260C008-A/L0](#) [FCN-260C024-AL0](#) [FCN-261Z008](#) [2000314-1](#) [200331-1](#) [PCR-E36FC+](#) [PCS-E28FS+](#) [PCS-XE26SLFD+](#) [PCS-](#)
[XE26SLFDT+](#) [G730VID08BDC24](#) [U90B2054081210](#) [UE86K842720321](#) [38113800006](#) [DP3AR020WQ1R200](#) [Z4.102.0680.0](#) [500-1040](#)
[500-1052](#) [500-1054](#) [ZP-4008-66L](#) [0709821002](#) [10-565995-597N](#) [DX40-20P\(55\)](#) [5554841-1](#) [MS3474W18-8P-LC*](#) [U90B3054061110](#) [U65-](#)
[E04-4020](#) [ZPF000000000097891](#) [557-262M2-06C](#) [747360449](#) [10099439-003C-TRLF](#) [10137239-0021LF](#) [E9320-001-01](#)