

HIGH-DENSITY HIGH-SPEED I/O SYSTEM

(0.635 mm) .025" PITCH • HDLSP/HDI6/HDC SERIES



HDLSP

Mates:
HDI6

SERIES	NO. OF POSITIONS	LENGTH	OPTION
--------	------------------	--------	--------

SPECIFICATIONS

Cable:
32 AWG low skew pair cable

Insulator Material:
LCP

Terminal Material:
Phosphor Bronze

Jacket Material:
PVC

Insulator:
Dielectric

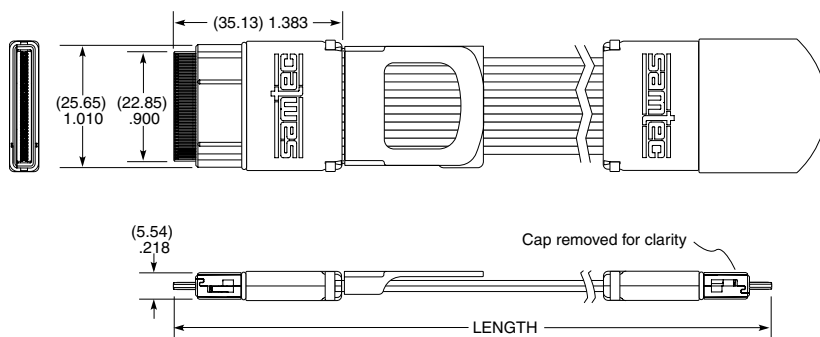
Conductors:
Copper

Braid:
Tinned Copper

Covers:
Diecast Zinc Alloy

Current Rating:
1.5 A per pin
(4 adjacent pins powered)

HDLSP = High-density Low Skew Pair Cable	-035 (Per Row) = 12 Pairs per side	-"XXXX" = Length in millimeters -1000, -2000 (Standard lengths)	-L = Positive Latch
--	---	---	-------------------------------



HDLSP-035-XXX-L SHOWN
Some components not shown for clarity

Note:
Some lengths, styles and options are non-standard, non-returnable.

HDI6

Mates:
HDLSP

HDI6	NO. OF POSITIONS	01	RA	"X"R	SERIES	NO. OF POSITIONS	OPTION	L
------	------------------	----	----	------	--------	------------------	--------	---

SPECIFICATIONS

Insulator Material:
Black LCP

Terminal Material:
Phosphor Bronze

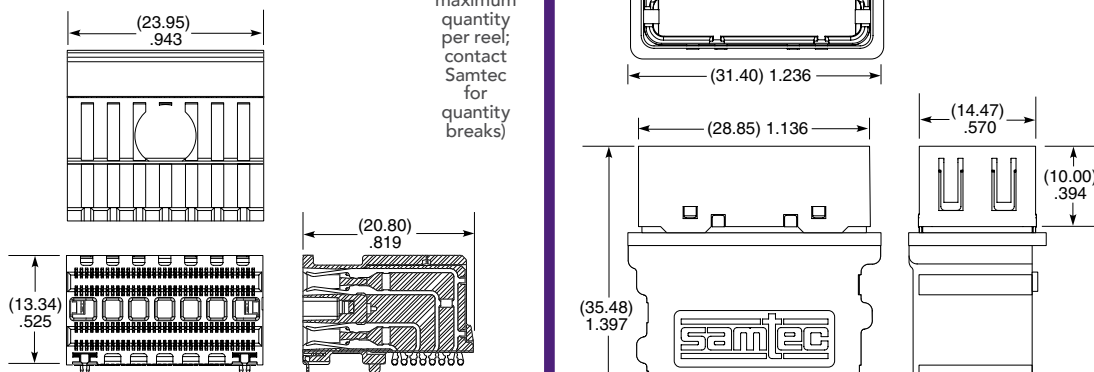
Plating:
Au or Sn over 50 μ" (1.27 μm) Ni

Current Rating:
1.5 A per pin
(4 adjacent pins powered)

Operating Temp Range:
-25 °C to +105 °C

Voltage Rating:
150 VAC

-035 (Per Row)	-TR = Tape & Reel	HDC = Cage	-035 = Number of positions	-01 = No gasket
	-FR = Full Reel Tape & Reel (must order maximum quantity per reel; contact Samtec for quantity breaks)			-02 = EMI gasket



HDC-035-02-L SHOWN

Notes:
For HT3.1 see www.samtec.com/ht3 and specify part number ASP-149117-01

Some lengths, styles and options are non-standard, non-returnable.

X-ON Electronics

Largest Supplier of Electrical and Electronic Components

Click to view similar products for [Ribbon Cables / IDC Cables](#) category:

Click to view products by [Samtec](#) manufacturer:

Other Similar products are found below :

[FSK-12A](#) [AWG28-10G](#) [EHJ3C](#) [EHJ4C](#) [cab-LVDV-PWR-10-15](#) [FSP-25A](#) [3365/15 \(100FT\)](#) [cab-LVDV-DAT-34-15](#) [49635-C62-S2](#) [1-3636-600-5204](#) [92315-1408](#) [426171120-3](#) [3625/08 \(100M\)](#) [0044704](#) [2-1589735-3](#) [JSM015PP2DCC23N](#) [92301-0283](#) [ACL-eSSI-2](#) [92301-0718](#) [MMSDT-06-20-S-05.5-D-K-LDX](#) [IDD-04-G](#) [NM-2J2-051-PS1-JJAB](#) [1700/14SF \(100FT\)](#) [1700/26SF \(100FT\)](#) [1700/34SF \(100FT\)](#) [3801/09 \(100FT\)](#) [119-885](#) [DS1057-09A282R-30.5](#) [DS1057-12A282R-30.5](#) [DS1057-14A282R-76.5](#) [DS1057-20A282R-76.5](#) [DS1057-30A282R-76.5](#) [DS1057-34A282R-76.5](#) [DS1057-40A282R-76.5](#) [DS1057-60A282R-76.5](#) [DS1057-64A282R-76.5](#) [DS1058-08M28-30.5](#) [DS1058-30M28-30.5](#) [3750/10 \(100FT\)](#) [0015712](#) [0015905](#) [S30109](#) [11203](#) [11223](#) [11243](#) [11262](#) [0037147](#) [0022512](#) [0022412](#) [0022416](#)