

- NOTES:  
 1.  $\text{\textcircled{C}}$  REPRESENTS A CRITICAL DIMENSION.  
 2. PARTS SHALL BE ROHS COMPLIANT.  
 3. PARTS TO BE PACKAGED IN TRAYS, TAIL SIDE DOWN.  
 (LESS THAN FULL TRAY QUANTITIES ARE TO BE PACKAGED IN COVERED TRAYS TRIMMED TO MATCH QUANTITY ORDERED)  
 4. HDMR FORMERLY NAMED HDMI.  
 5. DIMENSION APPLIES TO CONTACT & SHIELD.

AB

DESIGNED & DIMENSIONED  
 IN MILLIMETERS [INCHES]

(SEE NOTE 4)

HDMR-XX-XX-X-XX-XX-XX

No OF POSITIONS

- 19: (SEE SHT 1, FIG. 1)
- 29: (SEE SHT 3)

PACKAGING OPTION  
 -TR: TAPE & REEL (ONLY AVAILABLE WITH OUT -PF OPTION)

OPTION

- PF: PANEL FLANGE (SEE SHT 2, FIG. 4)
- L: LOCKING OPTION (ONLY AVAILABLE ON HDMR-19-01-X-TH-PF-L, SEE SHT 2, FIG 5 & HDMR-29-01-X-TH-PF-L, SEE SHT 3 FIG 8)

LEAD TERMINATION

- SM: SURFACE MOUNT
- TH: THROUGH HOLE (ONLY AVAILABLE ON HDMR-19-01-X-TH-PF-L) (SEE SHT 2, FIG 3)

PLATING  $\text{\textcircled{C}}$

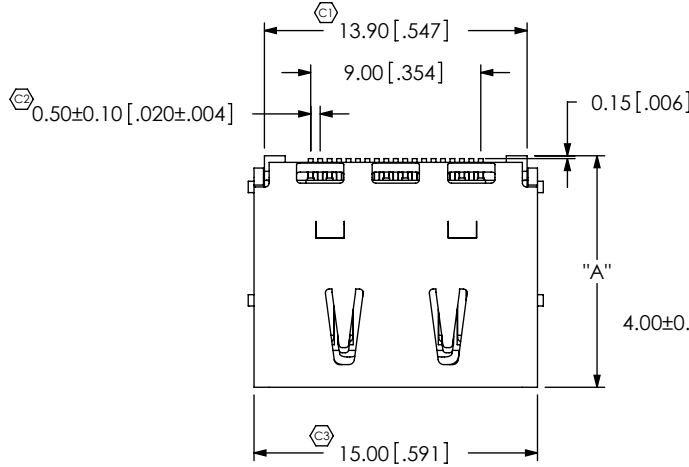
(-19 POSITION)

- S: CONTACT AREA: .000030" GOLD
- TAILS: BRIGHT ACID TIN
- SHELL: NICKEL
- F: CONTACT AREA: .000001" GOLD
- TAILS: BRIGHT ACID TIN
- SHELL: NICKEL

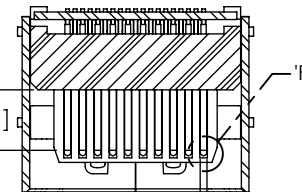
(-29 POSITION)

- S: CONTACT AREA: .000030" GOLD
- TAILS: BRIGHT ACID TIN
- SHELL: NICKEL
- F: CONTACT AREA: .000001" GOLD
- TAILS: BRIGHT ACID TIN
- SHELL: NICKEL

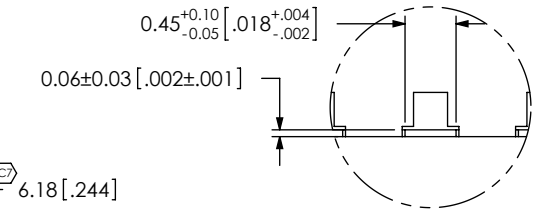
DO NOT  
 SCALE FROM  
 THIS PRINT



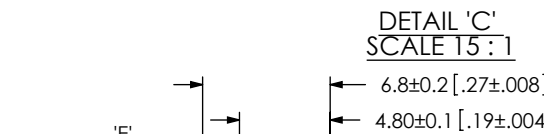
SHIELD TAIL STYLE  
 -01: THROUGH HOLE  
 -02: SURFACE MOUNT  
 (SEE SHT 2, FIG 2) (-19 POS ONLY)



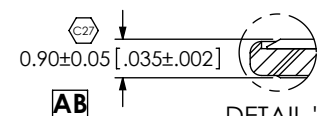
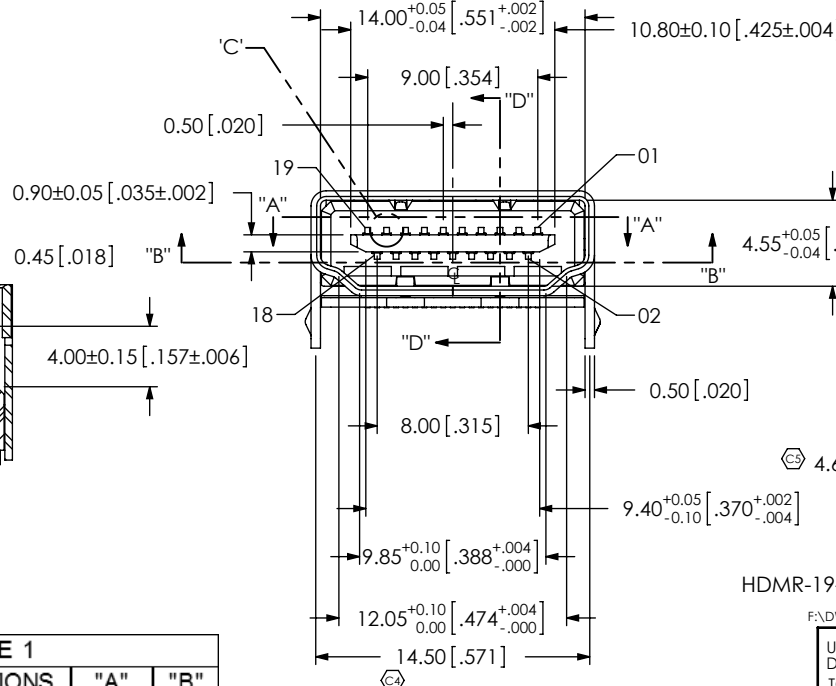
SECTION "A"-"A"  
 SCALE 2 : 1



DETAIL 'E'  
 SCALE 5 : 1



DETAIL 'C'  
 SCALE 15 : 1



AB

DETAIL 'E'  
 SCALE 5 : 1

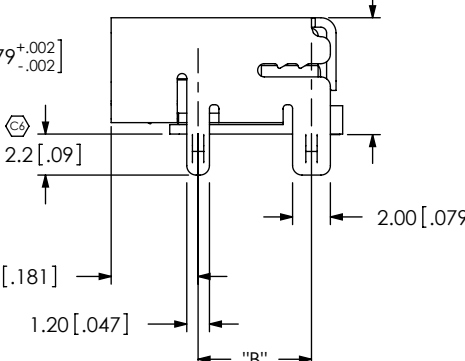
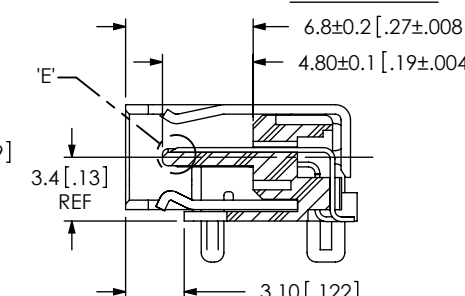
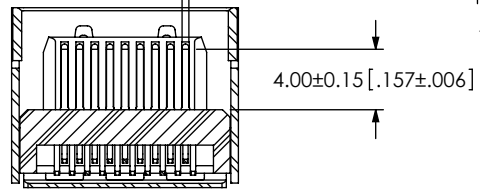


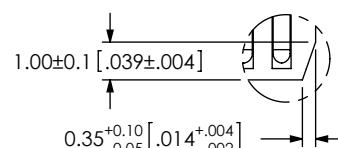
FIG 1  
 HDMR-19-01-X-SM SHOWN



SECTION "D"-"D"  
 SCALE 2.5 : 1



SECTION "B"-"B"  
 SCALE 2 : 1



DETAIL 'F'  
 SCALE 5 : 1

TABLE 1		
AVAIL. CONFIGURATIONS	"A"	"B"
HDMR-19-01-X-SM	12.16	5.96
HDMR-19-02-X-SM	12.16	5.96
HDMR-19-01-X-SM-PF	12.16	5.96
HDMR-19-02-X-SM-PF	12.16	5.96
HDMR-19-01-X-TH-PF-L	12.25	6.00
HDMR-29-01-X-SM	SEE SHT 3	
HDMR-29-01-X-SM-PF	SEE SHT 3	

F:\DWG\MISC\Mktg\HDMR-XX-XX-X-XX-XX-XX-MKT.SLDDRW

UNLESS OTHERWISE SPECIFIED, DIMENSIONS ARE IN MM.  
 TOLERANCES ARE:  
 DECIMALS ANGLES  
 .X: ±0.25 [.010] 1°  
 .XX: ±0.20 [.008]  
 .XXX: ±0.10 [.004]

PROPRIETARY NOTE  
 THIS DOCUMENT CONTAINS INFORMATION CONFIDENTIAL AND PROPRIETARY TO SAMTEC, INC. AND SHALL NOT BE REPRODUCED OR TRANSFERRED TO OTHER DOCUMENTS OR DISCLOSED TO OTHERS OR USED FOR ANY PURPOSE OTHER THAN THAT WHICH IT WAS OBTAINED WITHOUT THE EXPRESSED WRITTEN CONSENT OF SAMTEC, INC.

MATERIAL:  
 INSULATOR: HIGH TEMP THERMOPLASTIC (UL94V-0)  
 CONTACT: COPPER ALLOY  
 SHELL: NICKEL PLATED BRASS

DO NOT SCALE DRAWING SHEET SCALE: 1:0.333333

**samtec**  
 520 PARK EAST BLVD, NEW ALBANY, IN 47150  
 PHONE: 812-944-6733 FAX: 812-948-5047  
 e-Mail: info@SAMTEC.com code 55322

DESCRIPTION: HDMI RECEPTACLE

DWG. NO. HDMR-XX-XX-X-XX-XX-XX

BY: B. PERRY 9/14/07 SHEET 1 OF 3

FIG 2  
-02 SHIELD TAIL STYLE  
(HDMR-19-02-X-SM SHOWN)  
(DIFFERENT AS SHOWN, OTHERWISE SAME AS FIG 1))

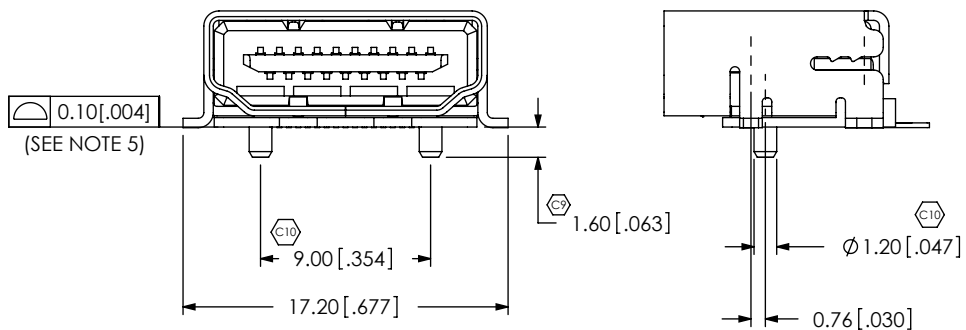


FIG 3  
-TH LEAD TERMINATION STYLE  
(ONLY AVAILABLE ON HDMR-19-01-X-TH-PF-L)  
(DIFFERENT AS SHOWN, OTHERWISE SAME AS FIG 1))

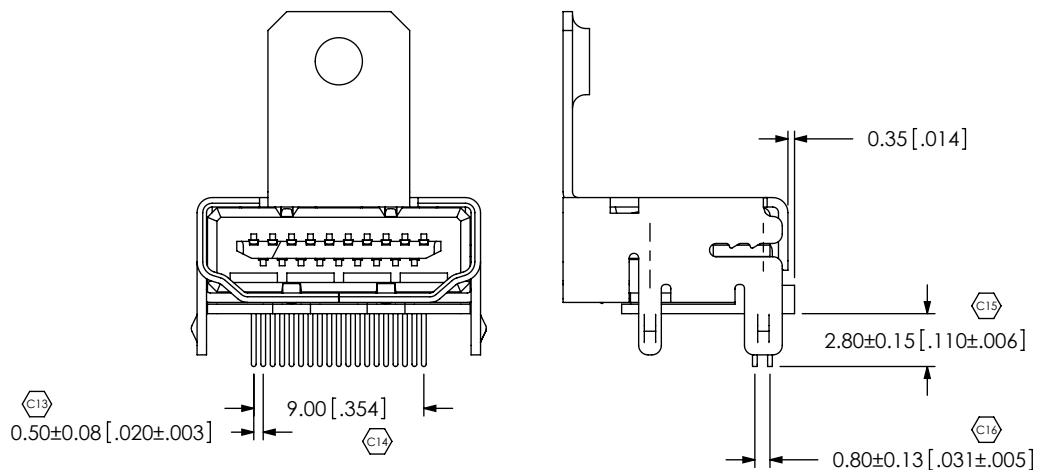


FIG 4  
-PF: PANEL FLANGE  
(HDMR-19-01-X-SM-PF SHOWN)  
(DIFFERENT AS SHOWN, OTHERWISE SAME AS FIG 1))

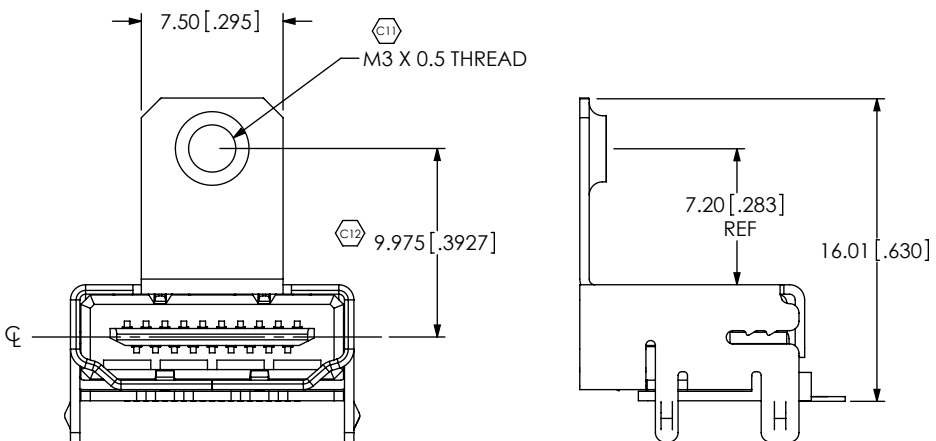
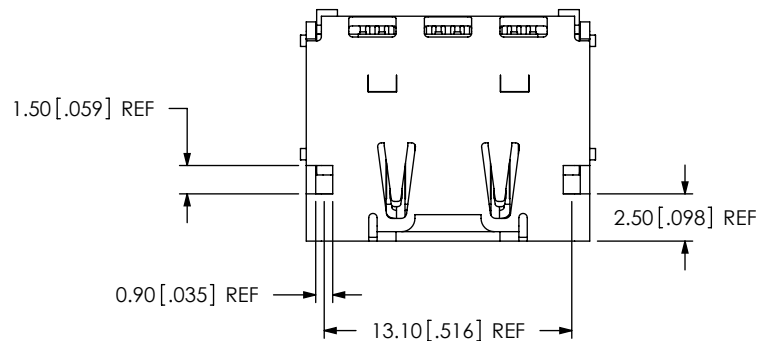


FIG 5  
-L: LOCKING LEADS  
(ONLY AVAILABLE ON HDMR-19-01-X-TH-PF-L)  
(DIFFERENT AS SHOWN, OTHERWISE SAME AS FIG 1))



PROPRIETARY NOTE  
THIS DOCUMENT CONTAINS INFORMATION  
CONFIDENTIAL AND PROPRIETARY TO  
SAMTEC, INC. AND SHALL NOT BE REPRODUCED  
OR TRANSFERRED TO OTHER DOCUMENTS OR  
DISCLOSED TO OTHERS OR USED FOR ANY  
PURPOSE OTHER THAN THAT WHICH IT WAS  
OBTAINED WITHOUT THE EXPRESSED WRITTEN  
CONSENT OF SAMTEC, INC.

DO NOT SCALE DRAWING

SHEET SCALE: 3:1

<b>samtec</b>	
520 PARK EAST BLVD, NEW ALBANY, IN 47150 PHONE: 812-944-6733 FAX: 812-948-5047 e-Mail: info@SAMTEC.com code 55322	
DESCRIPTION: HDMI RECEPTACLE	
DWG. NO. HDMR-XX-XX-X-XX-XX-XX	
BY: B. PERRY 9/14/07	SHEET 2 OF 3

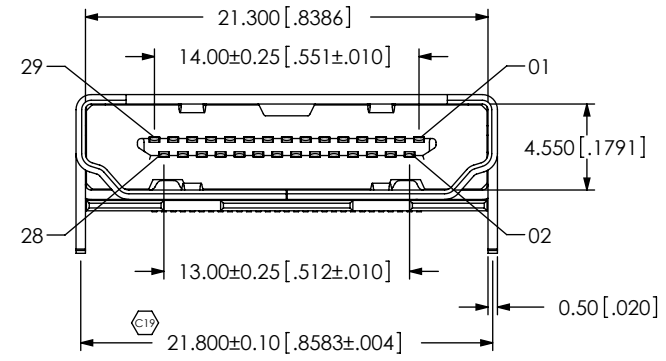
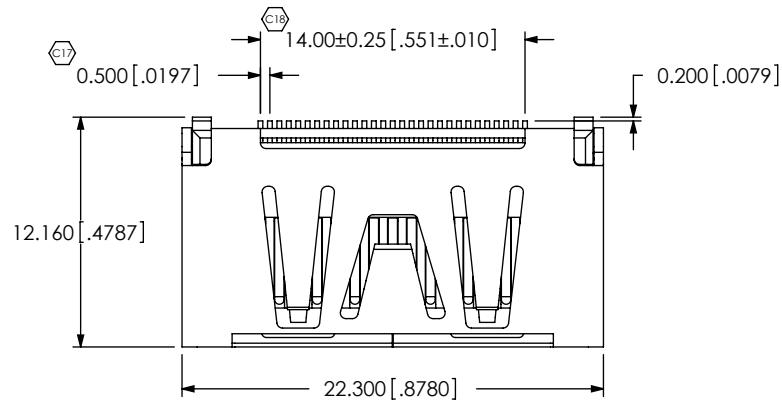


FIG 6  
HDMR-29-01-X-SM SHOWN

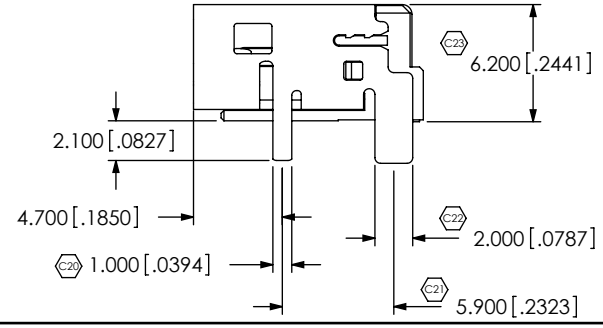
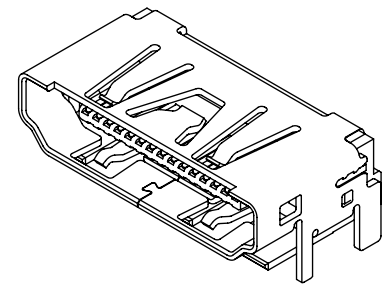


FIG 7  
HDMR-29-01-X-SM-PF SHOWN  
(DIFFERENT AS SHOWN, OTHERWISE SAME AS FIG 6)

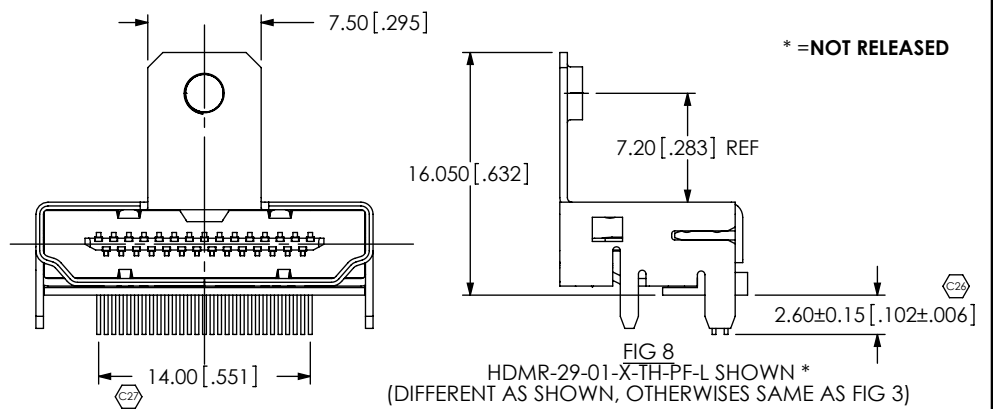
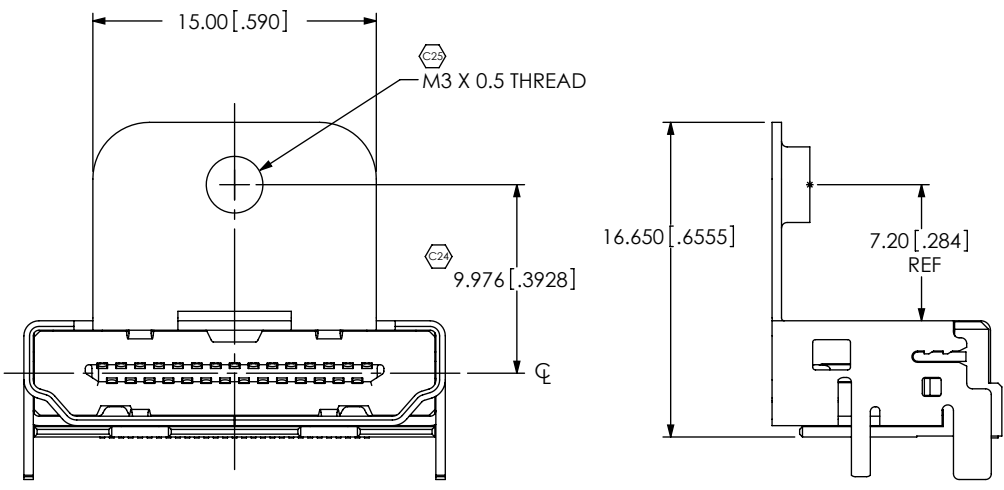


FIG 8  
HDMR-29-01-X-TH-PF-L SHOWN \*  
(DIFFERENT AS SHOWN, OTHERWISE SAME AS FIG 3)

PROPRIETARY NOTE  
THIS DOCUMENT CONTAINS INFORMATION  
CONFIDENTIAL AND PROPRIETARY TO  
SAMTEC, INC. AND SHALL NOT BE REPRODUCED  
OR TRANSFERRED TO OTHER DOCUMENTS OR  
DISCLOSED TO OTHERS OR USED FOR ANY  
PURPOSE OTHER THAN THAT WHICH IT WAS  
OBTAINED WITHOUT THE EXPRESSED WRITTEN  
CONSENT OF SAMTEC, INC.

DO NOT SCALE DRAWING

SHEET SCALE: 3:1

<b>samtec</b>	
520 PARK EAST BLVD, NEW ALBANY, IN 47150 PHONE: 812-944-6733 FAX: 812-948-5047 e-Mail: info@SAMTEC.com code 55322	
DESCRIPTION:	HDMI RECEPTACLE
DWG. NO.	HDMR-XX-XX-X-XX-XX-XX
BY: B. PERRY	9/14/07
	SHEET 3 OF 3

## X-ON Electronics

Largest Supplier of Electrical and Electronic Components

*Click to view similar products for [I/O Connectors](#) category:*

*Click to view products by [Samtec](#) manufacturer:*

Other Similar products are found below :

[571763P](#) [72.250.1628.2](#) [72.250.2428.2](#) [74720-0505](#) [76.350.0729.0](#) [76871-1403](#) [FCN-244F080-G/1](#) [FCN-260A9920](#) [MP-5T180MUNNA-005](#)  
[PCR-E36PM](#) [PCS-XE26MA+](#) [G38A71314B](#) [1571250010](#) [157-22500-3](#) [MS3471L14-19P L/C](#) [91-569786-35H](#) [172501-4002](#) [172501-6002](#)  
[FCN-260C008-A/L0](#) [FCN-260C024-AL0](#) [FCN-261Z008](#) [2000314-1](#) [200331-1](#) [PCR-E36FC+](#) [PCS-E28FS+](#) [PCS-XE26SLFD+](#) [PCS-](#)  
[XE26SLFDT+](#) [G730VID08BDC24](#) [U90B2054081210](#) [UE86K842720321](#) [38113800006](#) [DP3AR020WQ1R200](#) [Z4.102.0680.0](#) [500-1040](#)  
[500-1052](#) [500-1054](#) [ZP-4008-66L](#) [0709821002](#) [10-565995-597N](#) [DX40-20P\(55\)](#) [5554841-1](#) [U90B3054061110](#) [U65-E04-4020](#)  
[ZPF00000000097891](#) [557-262M2-06C](#) [747360449](#) [10099439-003C-TRLF](#) [10137239-0021LF](#) [E9320-001-01](#) [10137239-0011LF](#)