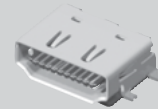
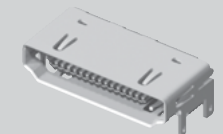


HDMR-19-01-S-SM-PF



HDMR-19-02-S-SM



HDMR-29-01-S-SM

HDMR SERIES

HIGH SPEED I/O RECEPTACLES

SPECIFICATIONS

For complete specifications and recommended PCB layouts see www.samtec.com?HDMR

Insulator Material:

High Temperature Thermoplastic

Contact Material:

Copper Alloy

Shell Material:

Steel

Operating Temp Range:

-25°C to +85°C

Plating:

Gold on Contacts, Nickel on Shell and Tin on Tails

Current Rating:

1.3 A per pin
(6 adjacent pins powered)

Voltage Rating:

40 VAC

Contact Resistance:

30 mΩ

Minimum Cycles:

100

Lead-Free Solderable:

Yes

RoHS Compliant:

Yes

Mates with:
HPDPI

Meets Digital Display Working Group Single Monitor Interface Specifications

Optional Panel Flange (19 position only)

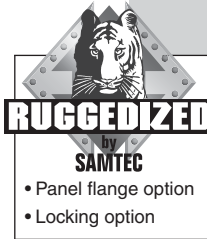
Hot Pluggable

Selectively Plated

19 or 29 Positions

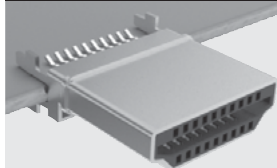
Surface Mount or Through-hole Signal Leads

Through-hole or Surface Mount (19 only) Ground tails



- Panel flange option
- Locking option

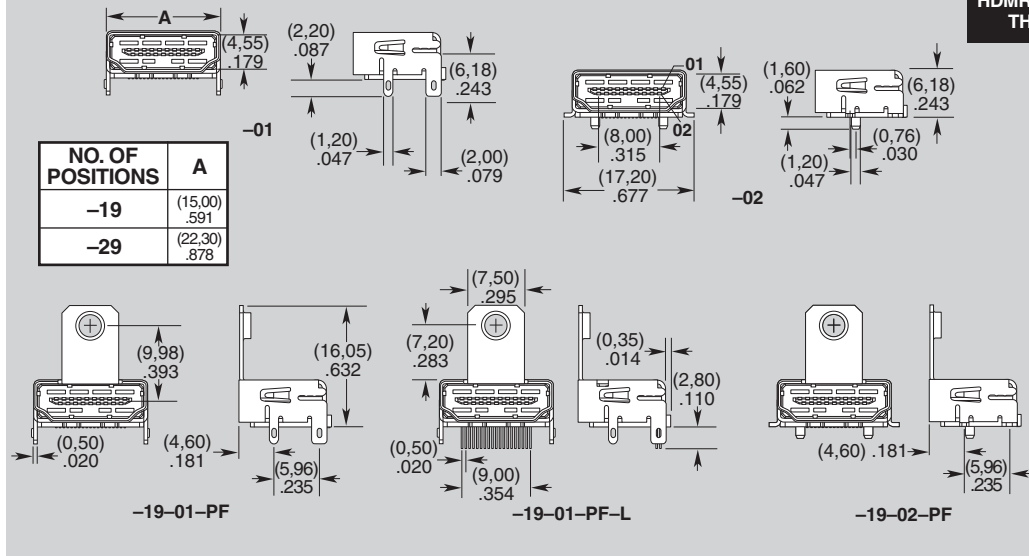
OTHER SOLUTIONS



HDMP is an Edge Mount plug that mates to HDMR receptacles.

Call Samtec for HDMP Series specifications.

HDMR	NO. OF POSITIONS	LEAD STYLE	PLATING	TAIL OPTION	OPTIONS
	<p>-19 = 19 Positions / Mates with HPXXX 5 Pairs</p> <p>-29 = 29 Positions / Mates with HPXXX 8 Pairs</p>	<p>-01 = Through-hole Ground Tails</p> <p>-02 = Surface Mount Ground Tails (-19 only)</p>	<p>-S = 30µ" (0,76 µm) Gold on Mating Area, Tin on Tails</p>	<p>-SM = Surface Mount (Signal Leads)</p> <p>-TH = Through-hole (Only available on HDMR-19-01-X-TH-PF-L)</p>	<p>(Leave Blank for no Panel Flange)</p> <p>-PF = Panel Flange</p> <p>-L = Locking Option (Only available on HDMR-19-01-X-TH-PF-L)</p>



Note: Some lengths, styles and options are non-standard, non-returnable.

X-ON Electronics

Largest Supplier of Electrical and Electronic Components

Click to view similar products for [I/O Connectors](#) category:

Click to view products by [Samtec](#) manufacturer:

Other Similar products are found below :

[571763P](#) [58098-0628](#) [72.250.1628.2](#) [72.250.2428.2](#) [74720-0505](#) [76.350.0729.0](#) [76871-1403](#) [FCN-244F080-G/1](#) [FCN-260A9920](#) [MP-5T180MUNNA-005](#) [PCR-E36PM](#) [PCS-XE26MA+](#) [G38A71314B](#) [1571250010](#) [157-22500-3](#) [MS3471L14-19P L/C](#) [91-569786-35H](#) [172501-4002](#) [172501-6002](#) [FCN-260C008-A/L0](#) [FCN-260C024-AL0](#) [FCN-261Z008](#) [2000314-1](#) [200331-1](#) [PCR-E36FC+](#) [PCS-E28FS+](#) [PCS-XE26SLFD+](#) [PCS-XE26SLFDT+](#) [G730VID08BDC24](#) [U90B2054081210](#) [UE86K842720321](#) [38113800006](#) [DP3AR020WQ1R200](#) [Z4.102.0680.0](#) [500-1040](#) [500-1052](#) [500-1054](#) [ZP-4008-66L](#) [0709821002](#) [10-565995-597N](#) [DX40-20P\(55\)](#) [5554841-1](#) [MS3474W18-8P-LC*](#) [U90B3054061110](#) [U65-E04-4020](#) [ZPF000000000097891](#) [557-262M2-06C](#) [747360449](#) [10099439-003C-TRLF](#) [10137239-0021LF](#)