



HDMR-19-01-F-SM-PF



HDMR-19-02-S-SM



HDMR-29-01-S-SM

**HDMR SERIES**

# HIGH SPEED I/O RECEPTACLES

**SPECIFICATIONS**

For complete specifications and recommended PCB layouts see [www.samtec.com?HDMR](http://www.samtec.com?HDMR)

- Insulator Material:**  
High Temperature Thermoplastic
- Contact Material:**  
Copper Alloy
- Shell Material:**  
Steel
- Operating Temp Range:**  
-25°C to +85°C
- Plating:**  
Gold on Contacts, Nickel on Shell and Tin on Tails
- Current Rating:**  
1.2 A per contact
- Voltage Rating:**  
40 VAC
- Contact Resistance:**  
30 mΩ
- Minimum Cycles:**  
100
- Lead-Free Solderable:**  
Yes
- RoHS Compliant:**  
Yes

Mates with:  
HPDPI

Meets Digital Display Working Group Single Monitor Interface Specifications

Optional Panel Flange (19 position only)

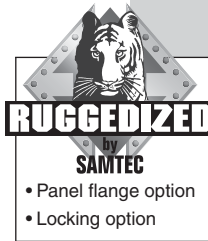
Hot Pluggable

Selectively Plated

19 or 29 Positions

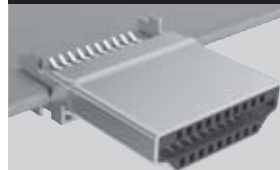
Surface Mount or Through-hole Signal Leads

Through-hole or Surface Mount (19 only) Ground tails



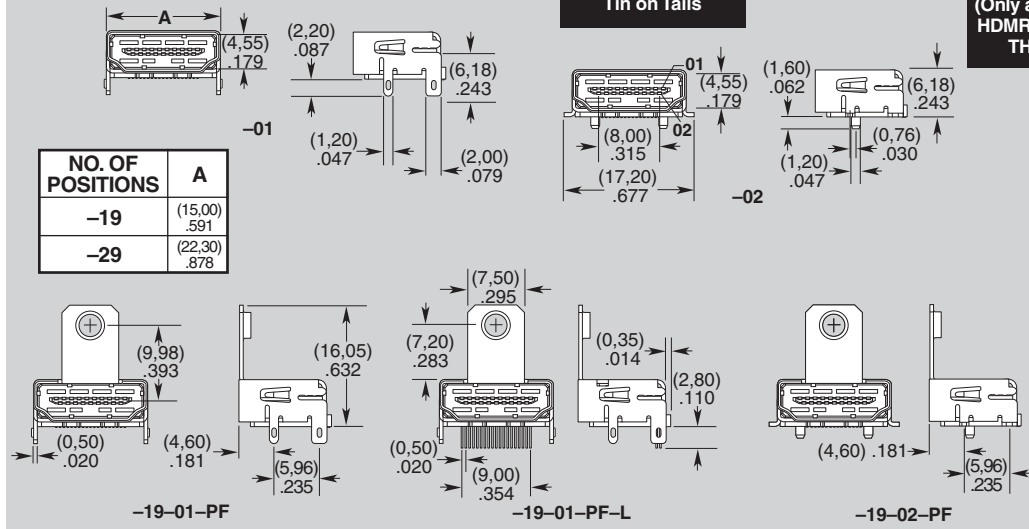
- Panel flange option
- Locking option

**ALSO AVAILABLE**



HDMP is an Edge Mount plug that mates to HDMR receptacles. Call Samtec for HDMP Series specifications.

HDMR	NO. OF POSITIONS	LEAD STYLE	PLATING	TAIL OPTION	OPTIONS
	<b>-19</b> = 19 Positions / Mates with HPXXX 5 Pairs	<b>-01</b> = Through-hole Ground Tails	<b>-F</b> = Gold Flash on Mating Area, Tin on Tails	<b>-SM</b> = Surface Mount (Signal Leads)	(Leave Blank for no Panel Flange)
	<b>-29</b> = 29 Positions / Mates with HPXXX 8 Pairs	<b>-02</b> = Surface Mount Ground Tails (-19 only)	<b>-S</b> = 30µ" (0,76µm) Gold on Mating Area, Tin on Tails	<b>-TH</b> = Through-hole (Only available on HDMR-19-01-X-TH-PF-L)	<b>-PF</b> = Panel Flange
					<b>-L</b> = Locking Option (Only available on HDMR-19-01-X-TH-PF-L)



**Note:** Some lengths, styles and options are non-standard, non-returnable.

*Due to technical progress, all designs, specifications and components are subject to change without notice.*

**WWW.SAMTEC.COM**

## X-ON Electronics

Largest Supplier of Electrical and Electronic Components

*Click to view similar products for [Samtec manufacturer](#):*

Other Similar products are found below :

[ESQT-135-03-F-D-380](#) [QTE-060-01-L-D-A](#) [MSAS-179-ZUGG-18](#) [MTSW-103-07-F-S-240](#) [BCS-116-L-S-TE](#) [ERF8-020-05.0-S-DV-K-TR](#)  
[ERF8-060-05.0-L-DV-K-TR](#) [IDMD-10-T-12.00-A-G-R](#) [SFML-115-01-S-D](#) [SFML-125-01-S-D](#) [LSHM-120-02.5-L-DV-A-N-K-TR](#) [ESQ-110-14-G-D](#) [ESQT-125-03-F-D-310](#) [SO-0515-01-01-02](#) [FJH-50-D-12.00-4](#) [CES-150-01-T-D](#) [QTE-040-04-L-D-A](#) [QTH-020-04-F-D-DP-A-K-TR](#)  
[QTH-060-01-F-D-A](#) [QTH-090-04-L-D-A](#) [TCSD-10-S-05.00-01-F-N](#) [TCSD-15-D-02.00-01-N](#) [TFM-115-02-L-DH](#) [TFM-120-12-S-D-LC](#)  
[TFML-140-02-S-D](#) [TLW-107-05-G-D](#) [BDL-136-T-E](#) [TSS-132-01-G-S](#) [TST-113-04-S-D-RA](#) [TSW-105-14-F-D](#) [MMS-110-01-H-DH](#) [HPF-03-02-T-S](#) [DW-25-11-L-D-450](#) [ERF8-020-01-L-D-RA-L-TR](#) [ERF8-040-05.0-L-DV-TR](#) [SL-120-T-10](#) [SLM-115-01-S-D](#) [CLP-132-02-G-D](#)  
[TFC-125-02-F-D-A-K](#) [TSW-202-07-T-S](#) [ISDF-25-D-M](#) [IPT1-105-01-S-D-RA](#) [IPL1-125-01-S-D-RA](#) [ICO-422-L-GT](#) [HTSW-116-15-L-S-LL](#)  
[HTSW-103-08-L-S-RA](#) [ESQ-116-33-T-T](#) [ERM8-020-02.0-S-DV-TR](#) [TCSD-10-D-06.00-01-N](#) [TCSD-20-D-12.00-01-N](#)