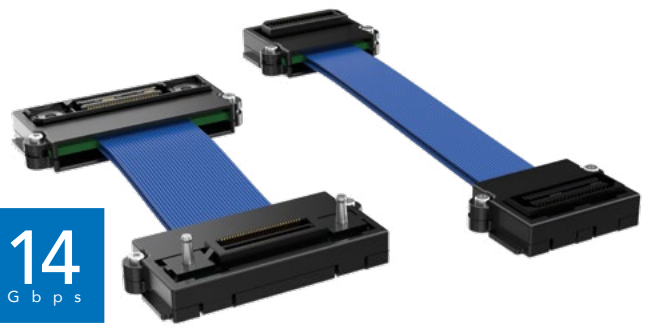




Q STRIP® COAX CABLE ASSEMBLIES

14
Gbps



(0.50 mm) .0197" & (0.80 mm) .0315" PITCH • HQCD/EQCD SERIES

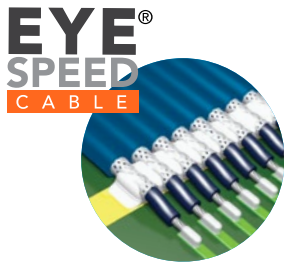
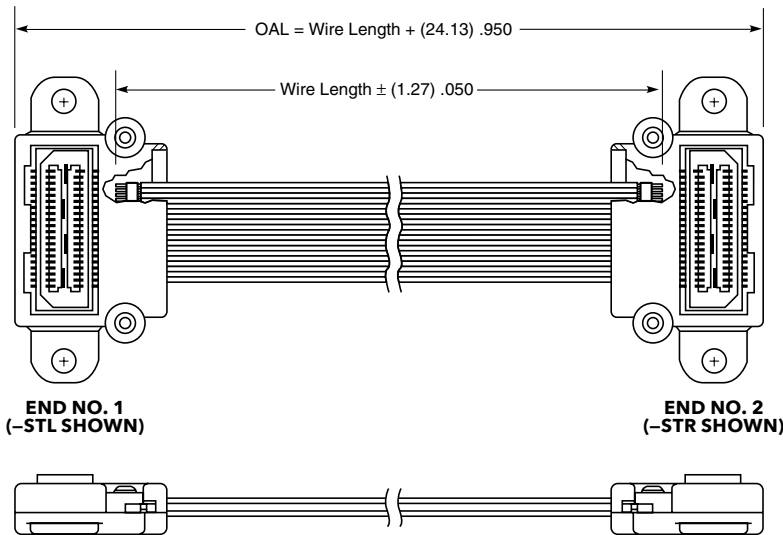
HQCD
Mates:
QTH, QSH

EQCD
Mates:
QTE, QSE

SPECIFICATIONS

Cable:
38 AWG micro coax ribbon
Signal Routing:
50 Ω Single-Ended
Overall Length:
(95.3 mm) 03.75" to
(1 m) 40" standard
Cable Flexing Life:
>10,000 cycles
Cable Bending Radius:
<2.5mm
Plating:
Au over 50 μ" (1.27 μm) Ni
Current Rating:
EQCD = 500 mA per pin
HQCD = 300 mA per pin
(6 adjacent pins powered)
Cable Propagation Delay:
4.79 nsec/meter
Operating Temp Range:
-25 °C to +105 °C
Unmating Force (-RT1 option):
-RT1 option increases
unmating force up to 50%

SERIES	NO. OF POSITIONS PER ROW	WIRE LENGTH	END NO. 1	END NO. 2	WIRING OPTION	END OPTIONS
HQCD = (0.50 mm) .0197" pitch	-030, -060, -090 (HQCD Series)	-"XX.XX" = Wire Length in Inches (43.7 mm) 01.72" minimum	Specify END ASSEMBLIES from chart		-1 = Pin 1 to Pin 1	Leave blank for no Screw Mount & Retention End Option
EQCD = (0.80 mm) .0315" pitch	-020, -040, -060 (EQCD Series)				-2 = Pin 1 to Pin 2	-F = Screw Mount End No. 1 only (Not available with XPX options)
					-3 = Pin 1 to Second to Last Pin	-S = Screw Mount End No. 2 only
					-4 = Pin 1 to Last Pin	-B = Screw Mount Both Ends (Not available with XPX options)
						-1 = End No. 1 Screw Mount. End No. 2 Retention Pin or Socket
						-2 = End No. 1 Retention Pin or Socket. End No. 2 Screw Mount Option



Notes:
Cable lengths longer than
40.00" (1 meter) are not
supported with S.I. test data.

Design your full cable
assembly with Samtec's
High-Speed Cable Builder at
www.samtec.com/cablebuilder

This Series is non-standard,
non-returnable.

END 1 or END 2	SURFACE MOUNT
TTR	Terminal, Top Mount, Notch Right
TTL	Terminal, Top Mount, Notch Left
TBR	Terminal, Bottom Mount, Notch Right
TBL	Terminal, Bottom Mount, Notch Left
STR	Socket, Top Mount, Notch Right
STL	Socket, Top Mount, Notch Left
SBR	Socket, Bottom Mount, Notch Right
SBL	Socket, Bottom Mount, Notch Left

END 1 or END 2	EDGE MOUNT
TEU	Terminal, Edge Mount, Notch Up
TED	Terminal, Edge Mount, Notch Down
SEU	Socket, Edge Mount, Notch Up
SED	Socket, Edge Mount, Notch Down

END1 ONLY	PANEL MOUNT
TPU	Terminal, Panel Mount, Notch Up
TPD	Terminal, Panel Mount, Notch Down
SPU	Socket, Panel Mount, Notch Up
SPD	Socket, Panel Mount, Notch Down

X-ON Electronics

Largest Supplier of Electrical and Electronic Components

Click to view similar products for [Rectangular Cable Assemblies](#) category:

Click to view products by [Samtec](#) manufacturer:

Other Similar products are found below :

[MC320E-N-23](#) [A08KR08KR26E203B](#) [G125FC10668L0-0300L](#) [G125FC10668L0-0150L](#) [G125-FC11068L0-0150L](#) [G125-FC11068L0-0300L](#)
[A06XAF06XAF22K254B](#) [A10XAF10XAF22K152B](#) [A13KR13KR26E254B](#) [A12SUR12SUR32W203A](#) [A16KR16KR26E203B](#)
[A12KR12KR26E305A](#) [A12KR12KR26E305B](#) [A12ZR12ZR28H203B](#) [A12ZR12ZR28H203A](#) [A10SR10SR30K254A](#) [A09SR09SR30K305A](#)
[A14KR14KR26E254A](#) [A14KR14KR26E254B](#) [A10ZR10ZR28H254A](#) [A09ZR09ZR28H305A](#) [A09ZR09ZR28H305B](#) [A13ZR13ZR28H203A](#)
[A15KR15KR26E254A](#) [A13KR13KR26E305B](#) [A11ZR11ZR28H254A](#) [A11ZR11ZR28H254B](#) [A11SR11SR30K254A](#)
[A12SUR12SUR32W254A](#) [A10ZR10ZR28H305A](#) [A14KR14KR26E305B](#) [A10ZR10ZR28H305B](#) [A12ZR12ZR28H254A](#)
[A15KR15KR26E305A](#) [A15KR15KR26E305B](#) [A11SR11SR30K305A](#) [A11ZR11ZR28H305A](#) [A11ZR11ZR28H305B](#) [A13ZR13ZR28H254A](#)
[A12SUR12SUR32W305A](#) [A12ZR12ZR28H305A](#) [A12ZR12ZR28H305B](#) [A20XAF20XAF22K51B](#) [A13ZR13ZR28H305A](#)
[A20XAF20XAF22K102B](#) [A20XAF20XAF22K152B](#) [A20XAF20XAF22K203B](#) [A20XAF20XAF22K254B](#) [A20XAF20XAF22K305B](#)
[A16XSR16XSR36R254B](#)