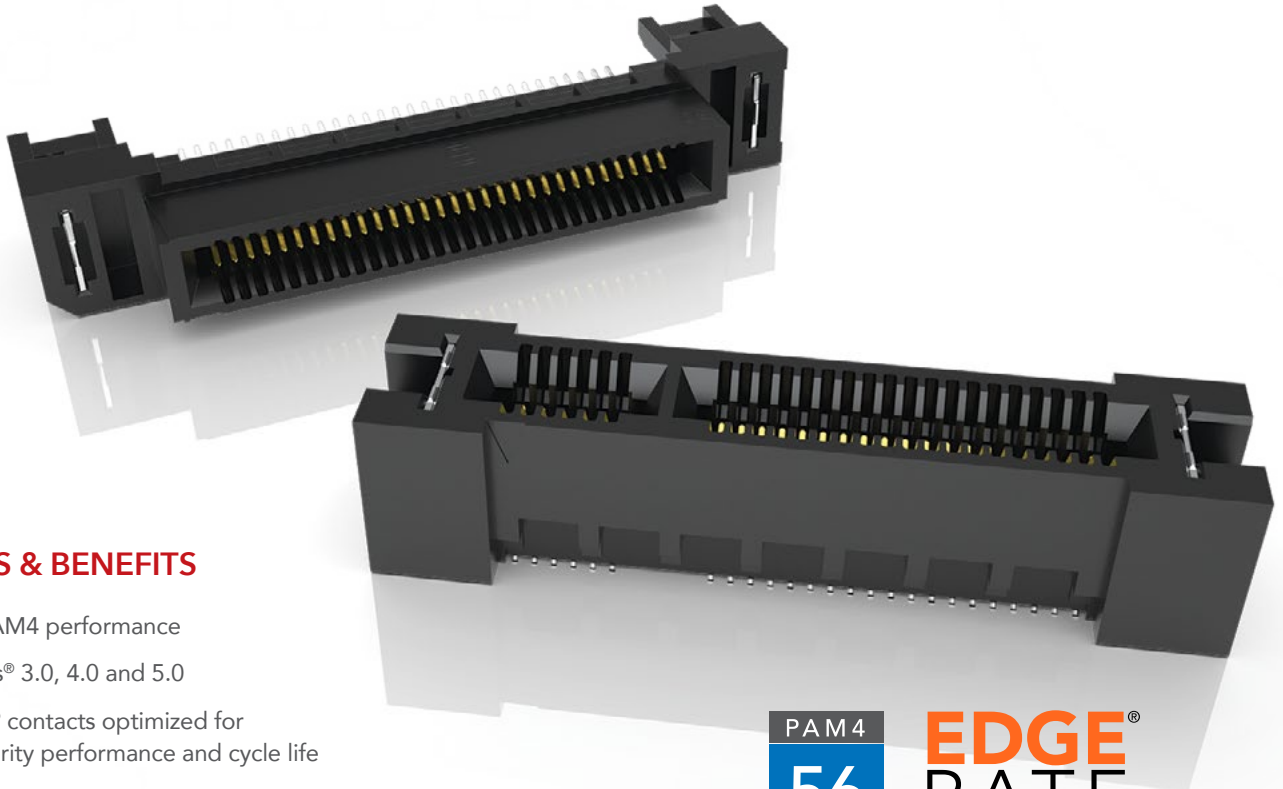


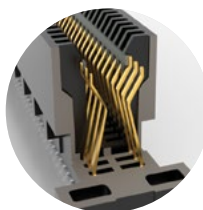
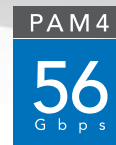
HIGH-SPEED EDGE CARD SYSTEMS

0.60 mm, 0.80 mm and 1.00 mm PITCH



FEATURES & BENEFITS

- 56 Gbps PAM4 performance
- PCI Express® 3.0, 4.0 and 5.0
- Edge Rate® contacts optimized for signal integrity performance and cycle life
- Up to 200 positions available
- Vertical, right-angle, edge mount, pass-through orientations
- Power/signal combo, press-fit tails, rugged weld tabs, locks and latches
- Mating cable assemblies available



Rugged tucked beam technology (HTEC8)



Differential pair for increased speed (HSEC8-DP)



Custom designs allow for misalignment in the X-Y axes (HSEC1)

KEY SPECIFICATIONS

SERIES	PITCH	TOTAL POSITIONS	INSULATOR MATERIAL	CONTACT MATERIAL	OPERATING TEMP RANGE	CURRENT RATING	VOLTAGE RATING	LEAD-FREE SOLDERABLE
HSEC6	0.60 mm	56-168	Black LCP	Copper Alloy	-55 °C to +125 °C	0.8 A (12 pins)	300 VAC	Yes
HTEC8	0.80 mm	40-200	Black LCP	Copper Alloy	-55 °C to +125 °C	3.0 A (2 pins)	215 VAC	Yes
HSEC8	0.80 mm	18-200	Black LCP	BeCu	-55 °C to +125 °C	2.8 A (2 pins)	240 VAC	Yes
HSEC1	1.00 mm	20-140	Black LCP	Phosphor Bronze	-55 °C to +125 °C	2.2 A (2 pins)	215 VAC	Yes

(0.80 mm) .0315" PITCH • PASS-THROUGH & POWER COMBO

HSEC8	1	POSITIONS PER ROW	CARD THICKNESS	PLATING OPTION	DV	A	PE	OTHER OPTIONS
--------------	----------	--------------------------	-----------------------	-----------------------	-----------	----------	-----------	----------------------

10, 13, 20

-01
= (1.60 mm) .062" thick card

-L
= 10 μ" (0.25 μm)
Gold on contact area, Matte Tin on tail

-S
= 30 μ" (0.76 μm)
Gold on contact area, Matte Tin on tail

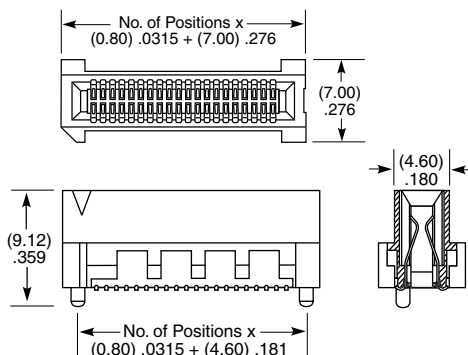
-K
= (5.50 mm) .217" DIA
Polyimide Film Pick & Place Pad

-TR
=Tape & Reel Packaging

-FR
= Full Reel Tape & Reel Packaging (Must order max. quantities per reel. Contact Samtec for parts per reel)

HSEC8-PE

Card Mates:
(1.60 mm) .062" thick card, HSC8



View complete specifications at: samtec.com?HSEC8-DV

HSEC8	1	SIGNAL POSITIONS	CARD THICKNESS	PLATING OPTION	PV	POWER POSITIONS	POWER TAIL	OTHER OPTION
--------------	----------	-------------------------	-----------------------	-----------------------	-----------	------------------------	-------------------	---------------------

20, 30, 40
(Signal positions per row)

-01
= (1.60 mm) .062" thick card

-L
= 10 μ" (0.25 μm)
Gold on contact area, Matte Tin on tail

-S
= 30 μ" (0.76 μm)
Gold on contact area, Matte Tin on tail

-2, -4
(Total, 2 per power bank)

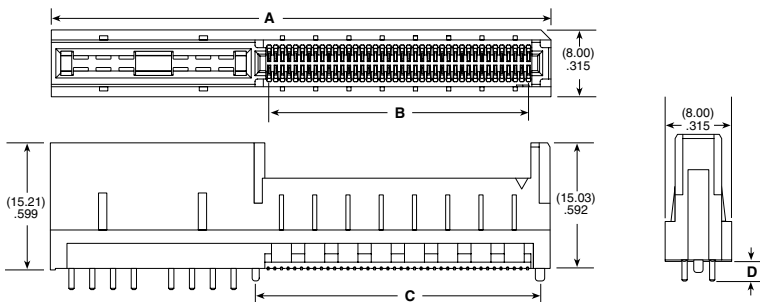
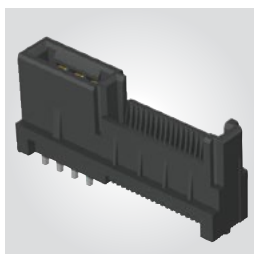
-1
= Use with (1.60 mm) .062" Thick PCB

-2
= Use with (2.36 mm) .093" Thick PCB

-WT
= Weld Tab

HSEC8-PV

Card Mates:
(1.60 mm) .062" thick card



SIGNAL POSITIONS	POWER POSITIONS						POWER TAIL	D
	A (-2)	B (-2)	C (-2)	A (-4)	B (-4)	C (-4)		
20	(32.10) 1.264	(15.20) .598	(18.20) .717	(44.10) 1.736	(15.20) .598	(18.20) .717	-1	(2.35) .093
30	(40.10) 1.579	(23.20) .913	(26.20) 1.031	(52.10) 2.051	(23.20) .913	(26.20) 1.031	-2	(3.13) .123
40	(48.10) 1.894	(31.20) 1.228	(34.20) 1.346	(60.10) 2.366	(31.20) 1.228	(34.20) 1.346		

Note:
Some sizes, styles and options are non-standard, non-returnable.

View complete specifications at: samtec.com?HSEC8-PV

X-ON Electronics

Largest Supplier of Electrical and Electronic Components

Click to view similar products for [Standard Card Edge Connectors](#) category:

Click to view products by [Samtec](#) manufacturer:

Other Similar products are found below :

[CR7E-30DB-3.96E\(72\)](#) [6364499-1](#) [6565204-6](#) [PKC-156](#) [1437274-4](#) [147889-1](#) [1489165-4](#) [EBT15622B2X](#) [1-582587-1](#) [284-0102-12100](#)
[286-0052-12101A](#) [306022901000000](#) [307-012-502-202](#) [307-056-520-300](#) [2129318-1](#) [245-062-520-350](#) [287-0032-12101](#) [306-028-525-102](#)
[307-072-526-202](#) [345-060-559-303](#) [392-008-559-201](#) [534671-1](#) [341-240-317](#) [345-044-500-300](#) [346-240-318](#) [395-100-524-300](#) [09-07-2032](#)
[10035388-802LF](#) [10115859-011LF](#) [10122859-009LF](#) [10127905-B04B24BLF](#) [530555-1](#) [5-678046-1](#) [73726-0005](#) [66308-1](#) [1-1437275-6](#)
[PEC-07-02-T-S-A](#) [346-014-520-801](#) [307-048-502-202](#) [CE100F22-9-C](#) [CE100F26-7-C](#) [CE100F28-3-D](#) [CE156F18-9-C](#) [CE156F22-5-D](#)
[CE156F22-9-C](#) [CT100F22-2-D](#) [CT100F22-3-D](#) [CT100F24-2-D](#) [CT100F24-3-D](#) [CT100F24-6-C](#)