

DO NOT SCALE FROM THIS PRINT

TABLE 2	
BODY SPECIFICATION	
ROW/OPTION	USE BODY
-S, -S-NA/-NE	HTSW-50-S-LCP
-S-RA/-S-RE	HTSW-50-SRA-LCP
-D, -D-NA/-NE	HTSW-50-D-LCP
-D-RA	HTSW-50-DRA-LCP
-T, -T-NA/-NE	HTSW-50-T-LCP
-T-RA, -Q-RA	HTSW-50-TRA-LCP
-Q	HTSW-50-T-LCP

HTSW-XXX-XX-XXX-X-XX-XX-XX

TERMINAL SPACE SPEC
 -1= .100 [2.54] (FILL EVERY POSITION)
 -2= .200 [5.08] (FILL EVERY OTHER POSITION STARTING WITH THE 1st AND ENDING WITH THE LAST POSITION IN BODY)

NUMBER OF POSITIONS
 -1: -01 THRU -50
 "A"= NUMBER OF POS x .100[2.54]
 -2: -.02 THRU -.25
 "A"= (NUMBER OF POS x .200[5.08])-.100[2.54]

LEAD STYLE
 SEE TABLE 1, SHT 6

OPTION 3
 *-MW: METAL WASHER (STRAIGHT TAIL OPTION ONLY) (AVAILABLE ON 05, 06, 07, 08, 16, 17, 18, 22, 23, 24, 25, 41 & 42 LEAD STYLES ONLY) (N/A WITH -LC OPTION. 20 POS MIN, 30 POS MAX. SEE FIG 6, SHT 5)

OPTION 2
 -POLARIZING SPECIFICATION
 XXX INDICATES POS TO BE OMITTED

OPTION 1
 -BLANK: STRAIGHT (SEE FIG 1, SHT 2)
 -RA: RIGHT ANGLE (SEE TABLE 3 & 4, FIG 5, SHT 4)
 -RE: EXTENDED RIGHT ANGLE (SEE TABLE 3 & 4, FIG 5, SHT 4) (SINGLE ROW ONLY)
 -NA: RA OPTION WITH STRAIGHT OPTION BODY (SEE TABLE 3 & 4, FIG 5, SHT 4)
 -NE: RE OPTION WITH STRAIGHT OPTION BODY (SEE TABLE 3 & 4, FIG 5, SHT 4)
 -LC: LOCKING CLIP (4 POS MINIMUM; ONLY AVAILABLE ON: LEAD STYLES -08 THRU -13 & -22, WITH ROW OPTIONS -S & -D; N/A WITH -MW, -RA OR -RE OPTIONS; SEE FIG 2, SHT 2)
 -LA: -RA OPTION WITH -LL OPTION (SEE SHT 3)
 -LL: LOCKING LEAD (SEE FIG 4, SHT 3) (N/A WITH -RE OR -NE OPTIONS) (N/A IN SINGLE ROW, 1 OR 2 POSITIONS)

ROW SPECIFICATION (SEE TABLE 2)
 -S: SINGLE
 -D: DOUBLE
 -T: TRIPLE
 -Q: TRIPLE ROW, FILL OUTER ROWS ONLY


PLATING SPECIFICATIONS
 -G: 10µ" GOLD IN CONTACT AREA, 3µ" GOLD ON TAIL
 -T: MATTE TIN CONTACT AND TAIL
 -S: 30µ" SELECTIVE GOLD IN CONTACT AREA, MATTE TIN ON TAIL
 -H: 30µ" HEAVY GOLD IN CONTACT AREA, 3µ" GOLD ON TAIL
 -L: 10µ" LIGHT SELECTIVE GOLD IN CONTACT AREA, MATTE TIN ON TAIL
 -F: 3µ" FLASH SELECTIVE GOLD IN CONTACT AREA, MATTE TIN ON TAIL
 -E: 50µ" EXTRA HEAVY GOLD IN CONTACT AREA, 3µ" GOLD ON TAIL (AVAILABLE ON LEAD STYLES -07, -08, -09 STRAIGHT AND -08-D-RA)
 -TL: TIN/LEAD (90/10 ±5%) CONTACT AND TAIL, (AVAILABLE ONLY ON LEAD STYLES -07, -08 & -09)
 -TM: MATTE TIN CONTACT AND TAIL
 -SM: 30µ" SELECTIVE GOLD IN CONTACT AREA, MATTE TIN ON TAIL
 -LM: 10µ" LIGHT SELECTIVE GOLD IN CONTACT AREA, MATTE TIN ON TAIL
 -FM: 3µ" FLASH SELECTIVE GOLD IN CONTACT AREA, MATTE TIN ON TAIL
 -STL: 30µ" SELECTIVE GOLD IN CONTACT AREA, TIN/LEAD (90/10 ±5%) TAIL
 -LTL: 10µ" LIGHT SELECTIVE GOLD IN CONTACT AREA, TIN/LEAD (90/10 +/-5%) TAIL, (AVAILABLE ONLY ON LEAD STYLE -15)
 -SS: 30µ" STRIPE SELECTIVE GOLD IN CONTACT AREA, MATTE TIN ON TAIL, (SEE NOTE 9)

*** - MW OPTION, DO NOT DESIGN IN. SAMTEC WILL ONLY SUPPORT EXISTING BUSINESS 2/12/02.**

CRITICAL DIMENSION INSPECTION INSTRUCTION TABLE	
ASSEMBLY OPERATION	IN-PROCESS INSPECTION
FILL	C1
MULTI-CUT	C2
RIGHT ANGLE	C4
RIGHT ANGLE	C5
RIGHT ANGLE	C6
CRIMP	C7
CPCs INTENTIONALLY DELETED:	C3

NOTES:

- ⊙ REPRESENTS CRITICAL DIMENSION FOR STATISTICAL PROCESS CONTROL.
- MINIMUM TERMINAL PUSHOUT FORCE: 3 LBS.
- MAXIMUM HEIGHT VARIATION: .005[.127] (N/A ON -RA TAIL).
- ASSEMBLE GOLD PLATE END AS SHOWN IN FIG 1.
- STYLE -26: ROUND END OF PIN TO APPEAR ON BOTTOM (SEE FIG 7, SHT 6).
- MINIMUM GOLD PLATED CONTACT AREA: .165[4.19] REF; PINS -18, -21 & -25: .050[1.27] REF.
- CRIMP TWO PINS CLOSEST TO CENTER OF THE PART IF THERE IS A POLARIZED POSITION IN THE MIDDLE/CENTER.
- MAXIMUM CUT FLASH: .010 [.25].
- SS PLATING OPTION ONLY AVAILABLE ON -07, -08, -09 STRAIGHT AND -08 -RA LEAD STYLES. MATES WITH SSQ, SSW, SSM, BCS, ESQ & ESW.
- MEASURE FROM THE BEND RADIUS OF THE TERMINALS.
- ORIENTATE PINS TO PREVENT BANDOLIER MARKS FROM SHOWING IN THE POST AREA. (SEE TABLE 6, SHT 7).

UNLESS OTHERWISE SPECIFIED, DIMENSIONS ARE IN INCHES. TOLERANCES ARE: DECIMALS ANGLES .XX: ±.01 [.25] 2° .XXX: ±.005 [.13] .XXXX: ±.0020 [.051]	PROPRIETARY NOTE THIS DOCUMENT CONTAINS INFORMATION CONFIDENTIAL AND PROPRIETARY TO SAMTEC, INC. AND SHALL NOT BE REPRODUCED OR TRANSFERRED TO OTHER DOCUMENTS OR DISCLOSED TO OTHERS OR USED FOR ANY PURPOSE OTHER THAN THAT WHICH IT WAS OBTAINED WITHOUT THE EXPRESSED WRITTEN CONSENT OF SAMTEC, INC.	 520 PARK EAST BLVD, NEW ALBANY, IN 47150 PHONE: 812-944-6733 FAX: 812-948-5047 e-Mail: info@SAMTEC.com code 55322

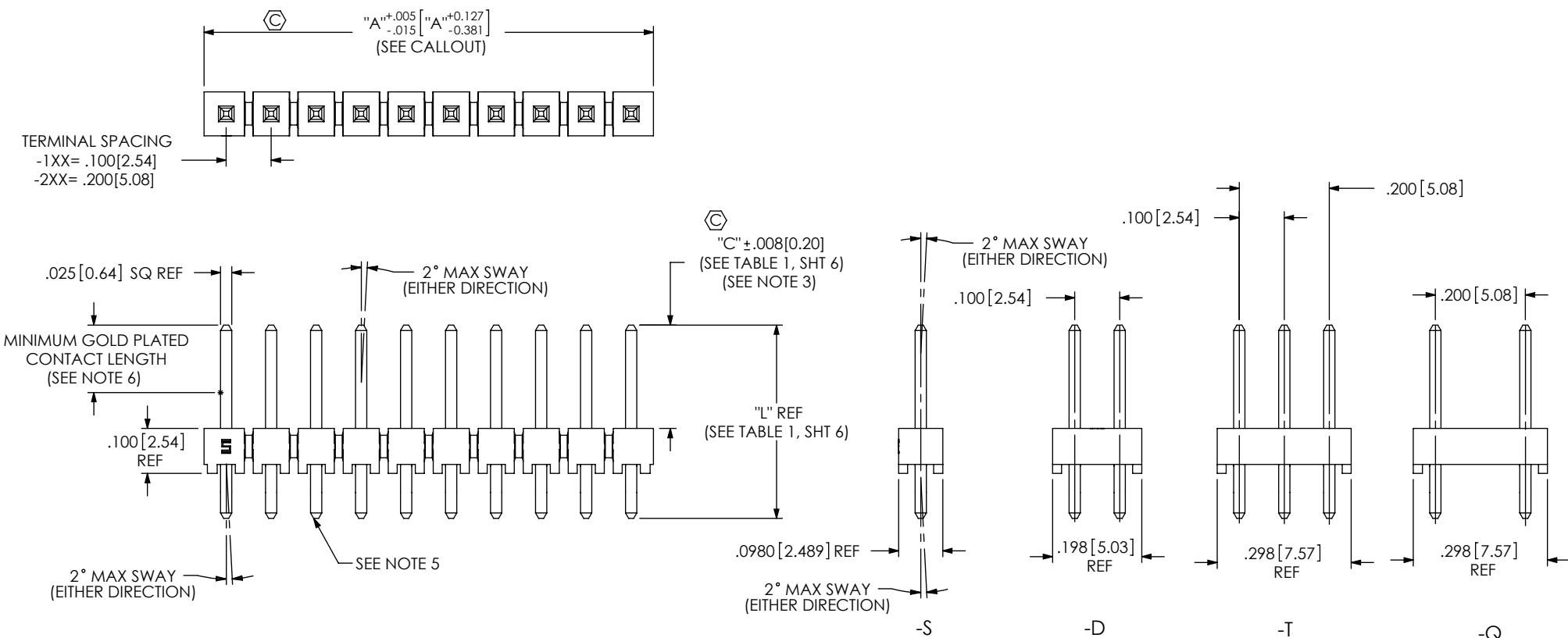


FIG 1
HTSW-110-07-XXX-D SHOWN

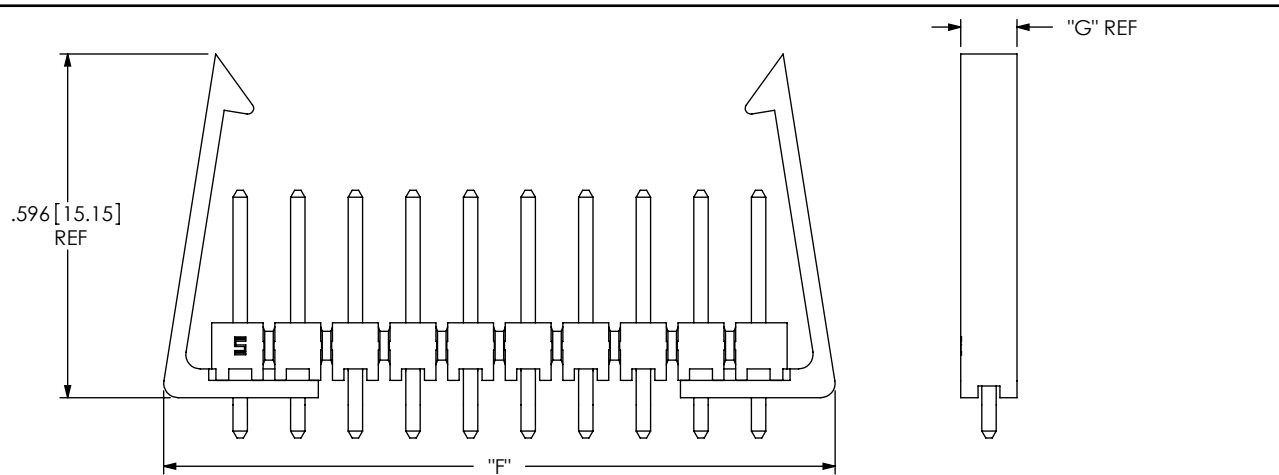


FIG 2: LOCKING CLIP
HTSW-110-07-XXX-D-LC SHOWN
(DIFFERENT AS SHOWN, OTHERWISE
SAME AS FIG 1)

TABLE 5: -LC OPTION

ROW	"F" +/- .015 [.38]	"G"	LATCH
-D	"A" + .210 [2.67]	.198 [5.03]	LTC-02
-S	"A" + .150 [3.81]	.098 [2.49]	LTC-01

F:\DWG\MISC\MKTG\HTSW-XXX-XX-XXX-X-XX-XX-XX-MKT.SLDDRW

PROPRIETARY NOTE
THIS DOCUMENT CONTAINS INFORMATION
CONFIDENTIAL AND PROPRIETARY TO
SAMTEC, INC. AND SHALL NOT BE REPRODUCED
OR TRANSFERRED TO OTHER DOCUMENTS OR
DISCLOSED TO OTHERS OR USED FOR ANY
PURPOSE OTHER THAN THAT WHICH IT WAS
OBTAINED WITHOUT THE EXPRESSED WRITTEN
CONSENT OF SAMTEC, INC.

DO NOT SCALE DRAWING

SHEET SCALE: 3:1



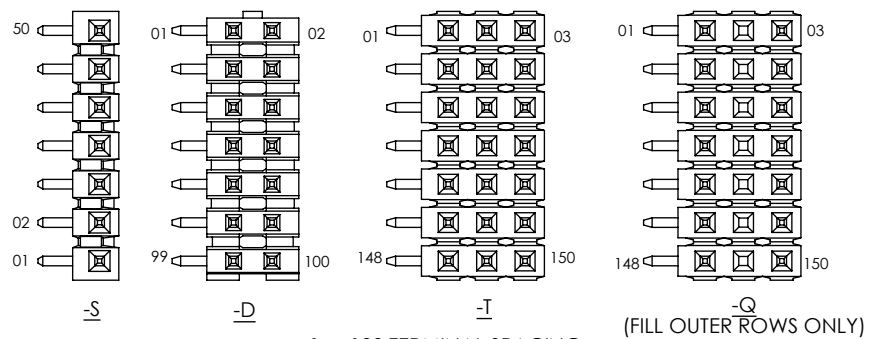
520 PARK EAST BLVD, NEW ALBANY, IN 47150
PHONE: 812-944-6733 FAX: 812-948-5047
e-Mail info@SAMTEC.com code 55322

DESCRIPTION:
.025 SQ POST HI-TEMP TERMINAL STRIP ASSEMBLY

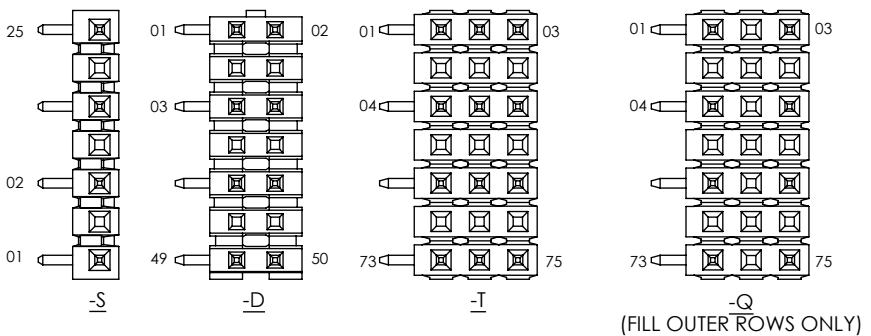
DWG. NO.
HTSW-XXX-XX-XXX-X-XX-XX-XX

BY: PURVIS 02/17/87 SHEET 2 OF 7

FIG 3
TERMINAL SPACING
(DIFFERENT AS SHOWN, OTHERWISE SAME AS FIG 1)

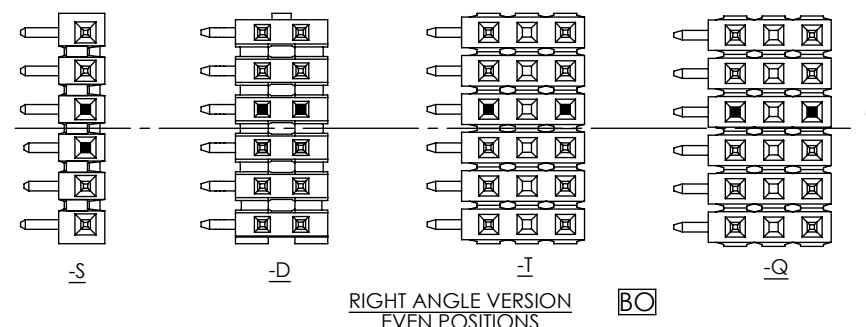
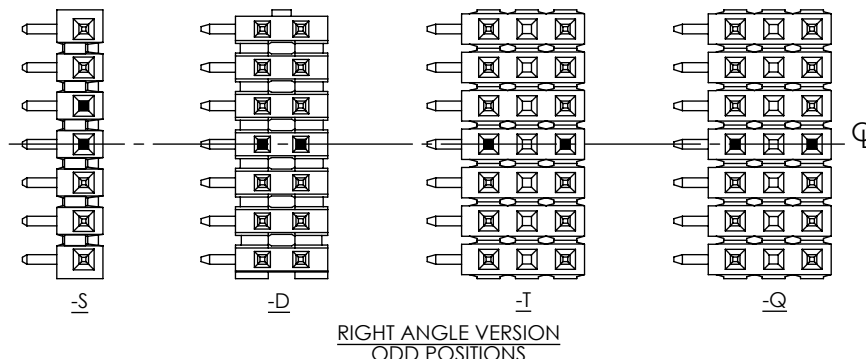
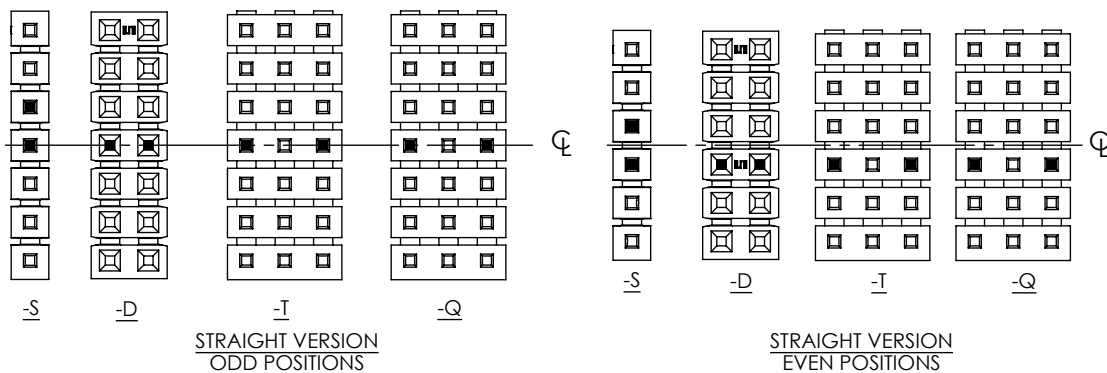
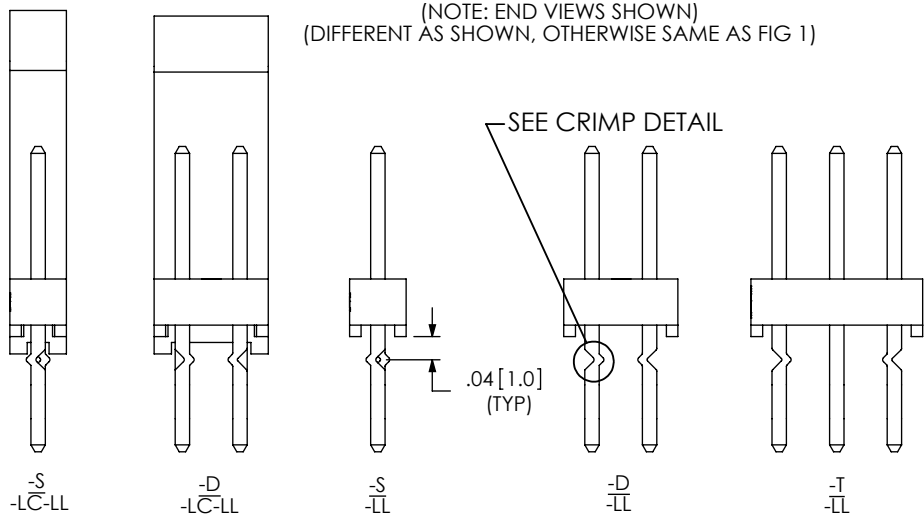


-1 = .100 TERMINAL SPACING

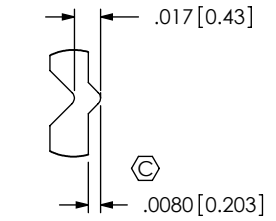


-2 = .200[5.08] TERMINAL SPACING

FIG 4
-LL: LOCKING LEAD
(NOTE: END VIEWS SHOWN)
(DIFFERENT AS SHOWN, OTHERWISE SAME AS FIG 1)



BO -LL: LOCKING LEAD
■ = CRIMP LOCATION
TWO CENTER MOST PINS TO BE CRIMPED AS SHOWN.



CRIMP DETAIL
SCALE: 2X
[TYP- ALL CRIMPS]

PROPRIETARY NOTE
THIS DOCUMENT CONTAINS INFORMATION
CONFIDENTIAL AND PROPRIETARY TO
SAMTEC, INC. AND SHALL NOT BE REPRODUCED
OR TRANSFERRED TO OTHER DOCUMENTS OR
DISCLOSED TO OTHERS OR USED FOR ANY
PURPOSE OTHER THAN THAT WHICH IT WAS
OBTAINED WITHOUT THE EXPRESSED WRITTEN
CONSENT OF SAMTEC, INC.

DO NOT SCALE DRAWING
SHEET SCALE: 3:1



520 PARK EAST BLVD, NEW ALBANY, IN 47150
PHONE: 812-944-6733 FAX: 812-948-5047
e-Mail info@SAMTEC.com code 55322

DESCRIPTION:
.025 SQ POST HI-TEMP TERMINAL STRIP ASSEMBLY
DWG. NO.
HTSW-XXX-XX-XXX-X-XX-XX-XX
BY: PURVIS 02/17/87 SHEET 3 OF 7

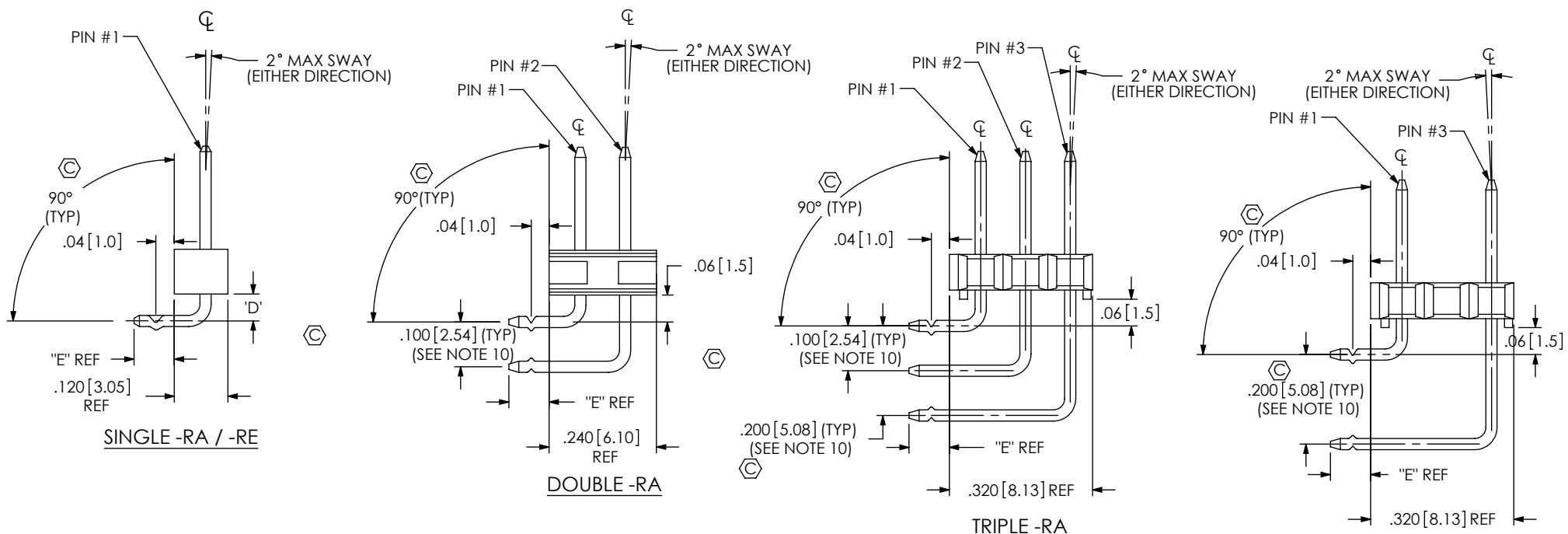


FIG 5
 -RA: RIGHT ANGLE
 (-LA OPTION IS SHOWN ON ALL -RA VIEWS FOR DIMENSIONAL PURPOSES) (SEE CRIMP DETAIL VIEW, SHT 3)
 (DIFFERENT AS SHOWN, OTHERWISE SAME AS FIG 1)

TABLE 4 - "E"

LEAD STYLE	RA SINGLE	RE SINGLE	RA DOUBLE	RA TRIPLE	NA SINGLE	NE SINGLE	NA DOUBLE	NA TRIPLE
08	.090 [2.29]	N/A	.090 [2.29]	.090 [2.29]	.109 [2.77]	N/A	.109 [2.77]	.109 [2.77]
09	.290 [7.37]	.190 [4.83]	.290 [7.37]	.290 [7.37]	.309 [7.85]	.209 [5.31]	.309 [7.85]	.309 [7.85]
10	.390 [9.91]	.290 [7.37]	.390 [9.91]	.390 [9.91]	.409 [10.39]	.309 [7.85]	.409 [10.39]	.409 [10.39]
11	.490 [12.45]	.390 [9.91]	.490 [12.45]	.490 [12.45]	.509 [12.93]	.409 [10.39]	.509 [12.93]	.509 [12.93]
12	.590 [14.99]	.490 [12.45]	.590 [14.99]	.590 [14.99]	.609 [15.47]	.509 [12.93]	.609 [15.47]	.609 [15.47]
13	.790 [20.07]	.690 [17.53]	.790 [20.07]	N/A	.809 [20.55]	.709 [18.01]	.809 [20.55]	N/A
16	.200 [5.08]	.100 [2.54]	.200 [5.08]	.200 [5.08]	.219 [5.56]	.119 [3.02]	.219 [5.56]	.219 [5.56]
21	.990 [25.15]	.890 [22.61]	N/A	N/A	1.009 [25.63]	.909 [23.09]	N/A	N/A
22	.190 [4.83]	.090 [2.29]	.190 [4.83]	.190 [4.83]	.209 [5.31]	.109 [2.77]	.209 [5.31]	.209 [5.31]
25	.100 [2.54]	N/A	.100 [2.54]	.100 [2.54]	.119 [3.02]	N/A	.119 [3.02]	.119 [3.02]
27	.890 [22.61]	.790 [20.07]	N/A	N/A	.909 [23.09]	.809 [20.55]	N/A	N/A
28	.690 [17.53]	.590 [14.99]	.690 [17.53]	N/A	.709 [18.01]	.609 [15.47]	.709 [18.01]	N/A
29	.800 [20.32]	N/A	N/A	N/A	.819 [20.80]	N/A	N/A	N/A
30	.600 [15.24]	N/A	.600 [15.24]	N/A	.619 [15.72]	N/A	.619 [15.72]	N/A

TABLE 3

-XX	"D"
-RA / -NA	.06 [1.5]
-RE / -NE	.16 [4.1]

PROPRIETARY NOTE

THIS DOCUMENT CONTAINS INFORMATION CONFIDENTIAL AND PROPRIETARY TO SAMTEC, INC. AND SHALL NOT BE REPRODUCED OR TRANSFERRED TO OTHER DOCUMENTS OR DISCLOSED TO OTHERS OR USED FOR ANY PURPOSE OTHER THAN THAT WHICH IT WAS OBTAINED WITHOUT THE EXPRESSED WRITTEN CONSENT OF SAMTEC, INC.

DO NOT SCALE DRAWING

SHEET SCALE: 4:1



520 PARK EAST BLVD, NEW ALBANY, IN 47150
 PHONE: 812-944-6733 FAX: 812-948-5047
 e-Mail info@SAMTEC.com code 55322

DESCRIPTION:
 .025 SQ POST HI-TEMP TERMINAL STRIP ASSEMBLY
 DWG. NO.
HTSW-XXX-XX-XXX-X-XX-XX-XX
 BY: PURVIS 02/17/87 SHEET 4 OF 7

- MW OPTION, DO NOT DESIGN IN. SAMTEC WILL ONLY SUPPORT EXISTING BUSINESS 2/12/02.

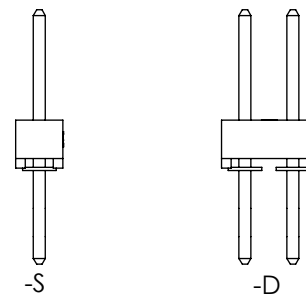
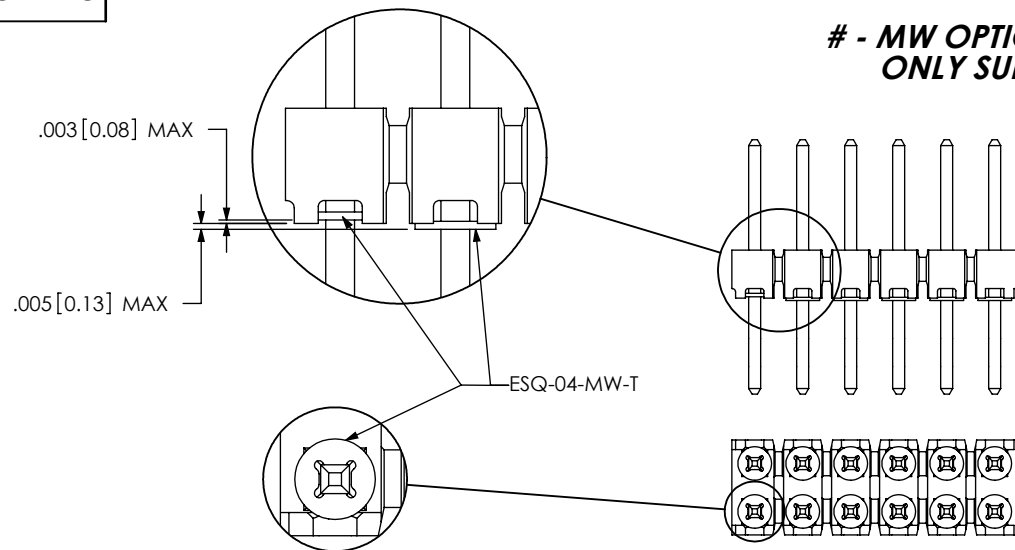
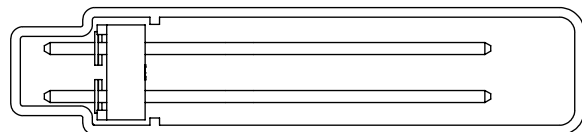
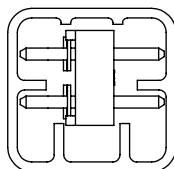


FIG 6
*-MW: METAL WASHER
(ONE PER POSITION)

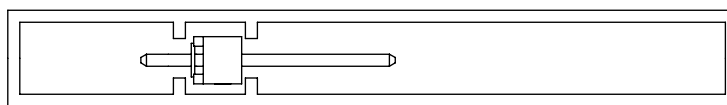
-MW OPTION TUBE TABLE			
STYLE	ROW	TUBE	PLUG
-XX	-S	PT-1-24-02-04	TP-24
-08 -16 -22 -25	-D	PT-1-24-03-29	TP-07
-05 -17 -18 -23 -24 -41 -42	-D	PT-1-24-08-03	TP-03
-06	-D	PT-1-24-01-63	TP-24-02
-07	-D	PT-1-24-01-22	TP-03
-XX	-T/Q	PT-1-24-07-51	TP-07



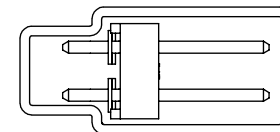
PT-1-24-08-03



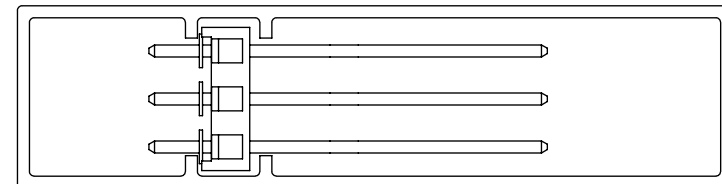
PT-1-24-01-63



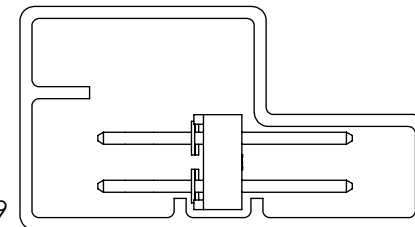
PT-1-24-02-04



PT-1-24-01-22



PT-1-24-07-51



PT-1-24-03-29

PROPRIETARY NOTE

THIS DOCUMENT CONTAINS INFORMATION CONFIDENTIAL AND PROPRIETARY TO SAMTEC, INC. AND SHALL NOT BE REPRODUCED OR TRANSFERRED TO OTHER DOCUMENTS OR DISCLOSED TO OTHERS OR USED FOR ANY PURPOSE OTHER THAN THAT WHICH IT WAS OBTAINED WITHOUT THE EXPRESSED WRITTEN CONSENT OF SAMTEC, INC.

DO NOT SCALE DRAWING

SHEET SCALE: 2.5:1



520 PARK EAST BLVD, NEW ALBANY, IN 47150
PHONE: 812-944-6733 FAX: 812-948-5047
e-Mail info@SAMTEC.com code 55322

DESCRIPTION:
.025 SQ POST HI-TEMP TERMINAL STRIP ASSEMBLY

DWG. NO.
HTSW-XXX-XX-XXX-X-XX-XX-XX

BY: PURVIS 02/17/87 SHEET 5 OF 7

TABLE 1
TERMINAL SPECIFICATIONS

TERMINAL SPEC	PN #1	"L"	PN #2 (2)	PN #3	"C"
-05 (3)	T-1S6-21-XXX-2	.335 [8.51]	N/A	N/A	.105 [2.67] (5)
-06 (3)	T-1S6-18-XXX-2	.300 [7.62]	N/A	N/A	.105 [2.67] (5)
-07 (3)	T-1S6-07-XXX-2	.430 [10.92]	N/A	N/A	.230 [5.84] (5)
-08 (4)	T-1S6-08-XXX-2	.530 [13.46]	T-1S6-09-XXX-2	T-1S6-11-XXX-2	.230 [5.84] (5) (6) (7)
-09	T-1S6-09-XXX-2	.730 [18.54]	T-1S6-11-XXX-2	T-1S6-20-XXX-2	.230 [5.84] (6)
-10	T-1S6-10-XXX-2	.830 [21.08]	T-1S6-12-XXX-2	T-1S6-13-XXX-2	.230 [5.84]
-11	T-1S6-11-XXX-2	.930 [23.62]	T-1S6-20-XXX-2	T-1S6-19-XXX-2	.230 [5.84]
-12	T-1S6-12-XXX-2	1.030 [26.16]	T-1S6-13-XXX-2	T-1S6-14-XXX-2	.230 [5.84]
-13	T-1S6-13-XXX-2	1.230 [31.24]	T-1S6-14-XXX-2	N/A	.230 [5.84]
-14 (3)	T-1S6-08-XXX-2	.530 [13.46]	N/A	N/A	.320 [8.13] (5)
-15 (3)	T-1S6-09-XXX-2	.730 [18.54]	N/A	N/A	.520 [13.21] (5)
-16	T-1S6-09-XXX-2	.730 [18.54]	T-1S6-11-XXX-2	T-1S6-20-XXX-2	.320 [8.13] (5) (6)
-17 (3)	T-1S6-10-XXX-2	.830 [21.08]	N/A	N/A	.620 [15.75] (5)
-18 (3)	T-1S6-11-XXX-2	.930 [23.62]	N/A	N/A	.720 [18.29] (5)
-19 (3)	T-1S6-12-XXX-2	1.030 [26.16]	N/A	N/A	.820 [20.83] (5)
-20 (3)	T-1S6-13-XXX-2	1.230 [31.24]	N/A	N/A	1.020 [25.91] (5)
-21	T-1S6-14-XXX-2	1.430 [36.32]	N/A	N/A	1.220 [30.99] (5)
-21 (1)	T-1S6-14-XXX-2	1.430 [36.32]	N/A	N/A	.230 [5.84]
-22	T-1S6-15-XXX-2	.630 [16.00]	T-1S6-10-XXX-2	T-1S6-12-XXX-2	.230 [5.84] (5) (6)
-23 (3)	T-1S6-16-XXX-2	.445 [11.30]	N/A	N/A	.230 [5.84] (5)
-24 (3)	T-1S6-17-XXX-2	.480 [12.19]	N/A	N/A	.265 [6.73] (5)
-25 (4)	T-1S6-15-XXX-2	.630 [16.00]	T-1S6-10-XXX-2	T-1S6-12-XXX-2	.320 [8.13] (5) (6)
*-26 (3)	T-1RS7-01-XXX-2	.456 [11.58]	N/A	N/A	.230 [5.84]
-27	T-1S6-19-XXX-2	1.330 [33.78]	N/A	N/A	.230 [5.84]
-28	T-1S6-20-XXX-2	1.130 [28.70]	T-1S6-19-XXX-2	N/A	.230 [5.84]
-29 (4)	T-1S6-19-XXX-2	1.330 [33.78]	N/A	N/A	.320 [8.13]
-30 (4)	T-1S6-20-XXX-2	1.130 [28.70]	T-1S6-19-XXX-2	N/A	.320 [8.13]
-41	T-1S6-25-XXX-2	.365 [9.27]	N/A	N/A	.230 [5.84]
-42	T-1S6-26-XXX-2	.470 [11.94]	N/A	N/A	.320 [8.13]

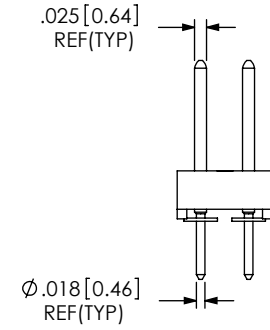


FIG 7
-26 LEAD STYLE
(SAME AS FIG 1, DIFFERENT AS SHOWN)

- (1) WITH -RA or -RE OPTION
 - (2) OMIT WITH -Q ROW SPECIFICATION
 - (3) NOT AVAILABLE IN -RA OR -RE OPTION.
 - (4) NOT AVAILABLE IN -RE OPTION.
 - (5) AVAILABLE IN -LL OPTION.
 - (6) AVAILABLE IN -LA OPTION.
 - (7) ON STYLE -08 -RA & -LA OPTIONS ONLY; 'C' = .230+.005/-.008 [5.84+.13/-.20]
- *SQUARE END OF PIN(T-1RS7-01-XXX-2) SHOULD BE LOCATED AT "C" DIMENSION DURING FILL PROCESS. (SEE FIG 7)


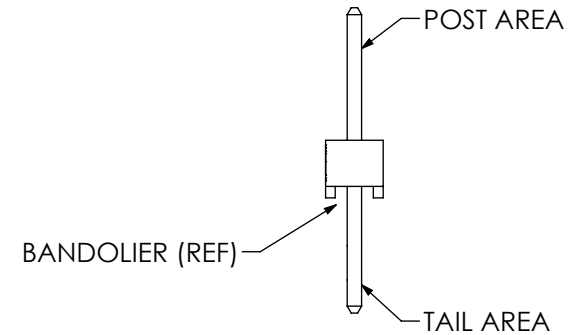
<p>PROPRIETARY NOTE</p> <p>THIS DOCUMENT CONTAINS INFORMATION CONFIDENTIAL AND PROPRIETARY TO SAMTEC, INC. AND SHALL NOT BE REPRODUCED OR TRANSFERRED TO OTHER DOCUMENTS OR DISCLOSED TO OTHERS OR USED FOR ANY PURPOSE OTHER THAN THAT WHICH IT WAS OBTAINED WITHOUT THE EXPRESSED WRITTEN CONSENT OF SAMTEC, INC.</p> <p>DO NOT SCALE DRAWING</p> <p>SHEET SCALE: 3:5:1</p>			
	<p>520 PARK EAST BLVD, NEW ALBANY, IN 47150 PHONE: 812-944-6733 FAX: 812-948-5047 e-Mail info@SAMTEC.com code 55322</p>		
	<p>DESCRIPTION: .025 SQ POST HI-TEMP TERMINAL STRIP ASSEMBLY</p>		
	<p>DWG. NO. HTSW-XXX-XX-XXX-X-XX-XX-XX</p>		
	BY: PURVIS	02/17/87	SHEET 6 OF 7

TABLE 6 (-T PLATING ONLY)

LEAD STYLE	NUMBER OF BAND MARKS ALLOWED IN POST AREA			LEAD STYLE	NUMBER OF BAND MARKS ALLOWED IN POST AREA		
	PIN #1	PIN #2	PIN #3		PIN #1	PIN #2	PIN #3
*-05	*0	N/A	N/A	*-17	2	N/A	N/A
-06	1	N/A	N/A	*-18	2	N/A	N/A
-07	1	N/A	N/A	*-19	2	N/A	N/A
-08	0	0	0	*-20	2	N/A	N/A
-08 RA	0	0	0	*-21	2	N/A	N/A
-09	0	0	0	-21-RA	0	N/A	N/A
-09 RA	0	0	0	-21-RE	0	N/A	N/A
-09-RE	0	0	0	-22	0	0	0
-10	0	0	0	-22-RA	0	0	0
-10-RA	0	0	0	-22-RE	0	0	0
-10-RE	0	0	0	-23	1	N/A	N/A
-11	0	0	0	-24	1	N/A	N/A
-11-RA	0	0	0	-25	1	1	1
-11-RE	0	0	0	*-25-RA	1	0	0
-12	0	0	0	*-26	1	N/A	N/A
-12-RA	0	0	0	*-27	0	N/A	N/A
-12-RE	0	0	0	*-27-RA	0	N/A	N/A
-13	0	0	N/A	*-27-RE	0	N/A	N/A
-13-RA	0	0	N/A	*-28	0	0	N/A
-13-RE	0	0	N/A	*-28-RA	0	0	N/A
-14	1	N/A	N/A	*-28-RE	0	0	N/A
*-15	2	N/A	N/A	*-29	1	N/A	N/A
*-16	1	1	1	*-29-RA	1	N/A	N/A
*-16-RA	1	1	1	*-30	1	1	N/A
*-16-RE	1	1	1	*-30-RA	1	1	N/A

* PINS TO BE FLIPPED OPPOSITE OF SELECTIVE PLATING BEFORE BEING INSERTED



IN PROCESS 1
(SAME AS FIG. 1, DIFFERENT AS SHOWN)
-T PLATING ONLY

PROPRIETARY NOTE

THIS DOCUMENT CONTAINS INFORMATION CONFIDENTIAL AND PROPRIETARY TO SAMTEC, INC. AND SHALL NOT BE REPRODUCED OR TRANSFERRED TO OTHER DOCUMENTS OR DISCLOSED TO OTHERS OR USED FOR ANY PURPOSE OTHER THAN THAT WHICH IT WAS OBTAINED WITHOUT THE EXPRESSED WRITTEN CONSENT OF SAMTEC, INC.

DO NOT SCALE DRAWING

SHEET SCALE: 3:1



520 PARK EAST BLVD, NEW ALBANY, IN 47150
PHONE: 812-944-6733 FAX: 812-948-5047
e-Mail info@SAMTEC.com code 55322

DESCRIPTION:
.025 SQ POST HI-TEMP TERMINAL STRIP ASSEMBLY

DWG. NO.
HTSW-XXX-XX-XXX-X-XX-XX-XX

BY: PURVIS 02/17/87 SHEET 7 OF 7

X-ON Electronics

Largest Supplier of Electrical and Electronic Components

Click to view similar products for [Samtec manufacturer](#):

Other Similar products are found below :

[ESQT-135-03-F-D-380](#) [QTE-060-01-L-D-A](#) [MSAS-179-ZUGG-18](#) [MTSW-103-07-F-S-240](#) [BCS-116-L-S-TE](#) [ERF8-020-05.0-S-DV-K-TR](#)
[ERF8-060-05.0-L-DV-K-TR](#) [IDMD-10-T-12.00-A-G-R](#) [SFML-115-01-S-D](#) [SFML-125-01-S-D](#) [LSHM-120-02.5-L-DV-A-N-K-TR](#) [ESQ-110-14-G-D](#) [ESQT-125-03-F-D-310](#) [SO-0515-01-01-02](#) [FJH-50-D-12.00-4](#) [CES-150-01-T-D](#) [QTE-040-04-L-D-A](#) [QTH-020-04-F-D-DP-A-K-TR](#)
[QTH-060-01-F-D-A](#) [QTH-090-04-L-D-A](#) [TCSD-10-S-05.00-01-F-N](#) [TCSD-15-D-02.00-01-N](#) [TFM-115-02-L-DH](#) [TFM-120-12-S-D-LC](#)
[TFML-140-02-S-D](#) [TLW-107-05-G-D](#) [BDL-136-T-E](#) [TSS-132-01-G-S](#) [TST-113-04-S-D-RA](#) [TSW-105-14-F-D](#) [MMS-110-01-H-DH](#) [HPF-03-02-T-S](#) [DW-25-11-L-D-450](#) [ERF8-020-01-L-D-RA-L-TR](#) [ERF8-040-05.0-L-DV-TR](#) [SL-120-T-10](#) [SLM-115-01-S-D](#) [CLP-132-02-G-D](#)
[TFC-125-02-F-D-A-K](#) [TSW-202-07-T-S](#) [ISDF-25-D-M](#) [IPT1-105-01-S-D-RA](#) [IPL1-125-01-S-D-RA](#) [ICO-422-L-GT](#) [HTSW-116-15-L-S-LL](#)
[HTSW-103-08-L-S-RA](#) [ESQ-116-33-T-T](#) [ERM8-020-02.0-S-DV-TR](#) [TCSD-10-D-06.00-01-N](#) [TCSD-20-D-12.00-01-N](#)