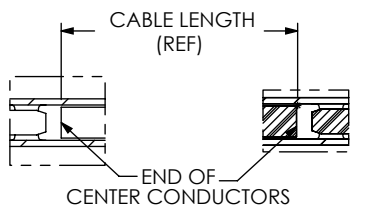


**THIS PRODUCT MANUFACTURED WITH LEAD-FREE PROCESSING**

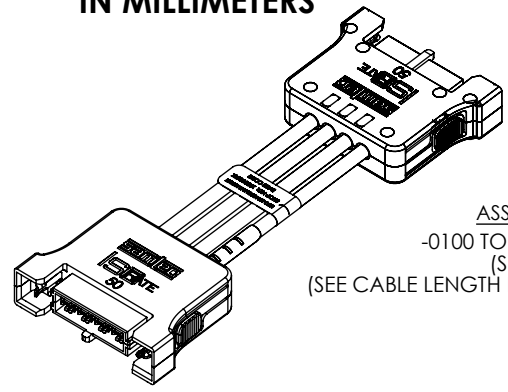
DO NOT SCALE FROM THIS PRINT

**DESIGNED & DIMENSIONED IN MILLIMETERS**

IJ5C-XX-XXXX-X-X-XXX-X-XX



DETAIL 'A' SCALE 8:1  
DETAIL 'B' SCALE 8:1



- 01: 1 POSITION
- 02: 2 POSITIONS
- 04: 4 POSITIONS
- 06: 6 POSITIONS
- 08: 8 POSITIONS
- \*-10: 10 POSITIONS

(\* = NOT TOOLED)

ASSEMBLY LENGTH  
-0100 TO -1000 (IN MILLIMETERS)  
(SEE NOTE 6)  
(SEE CABLE LENGTH FORMULA FOR PREP LENGTH)

PLATING OPTIONS  
-s: 30µ" GOLD

OPTIONS

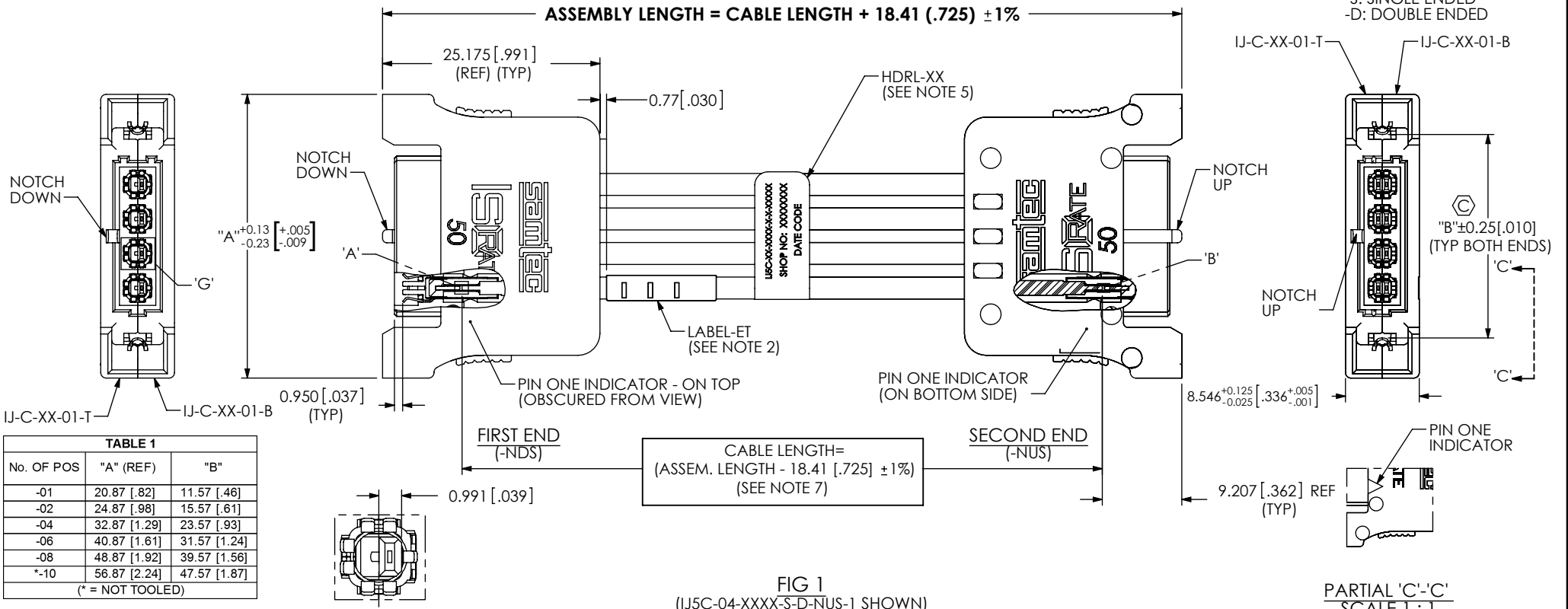
CABLE TYPE

- 1: CTB-2650F-01 (0100 MM - 1000 MM)
- 2: CCA-316 (0400 MM - 1000 MM)

SECOND END ORIENTATION

- NUS: NOTCH UP STRAIGHT (P1 TO P1; ONLY VALID W/DOUBLE ENDS)
- NDS: NOTCH DOWN STRAIGHT (P1 TO P4; ONLY VALID W/DOUBLE ENDS)

- END OPTIONS  
-S: SINGLE ENDED  
-D: DOUBLE ENDED



**TABLE 1**

No. OF POS	"A" (REF)	"B"
-01	20.87 [.82]	11.57 [.46]
-02	24.87 [.98]	15.57 [.61]
-04	32.87 [1.29]	23.57 [.93]
-06	40.87 [1.61]	31.57 [1.24]
-08	48.87 [1.92]	39.57 [1.56]
*-10	56.87 [2.24]	47.57 [1.87]

(\* = NOT TOOLED)

CABLE LENGTH = (ASSEM. LENGTH - 18.41 [.725] ±1%) (SEE NOTE 7)

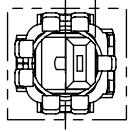
FIG 1  
(IJ5C-04-XXXX-S-D-NUS-1 SHOWN)  
(SHOWING SECOND END ORIENTATION -NUS)

F:\DWG\MISC\MKTG\IJ5C-XX-XXXX-X-X-XXX-X-XX-MKT.SLDDRW

NOTES:

1. Ⓢ REPRESENTS A CRITICAL DIMENSION.
2. ALL ASSEMBLIES TO BE 100% ELECTRICALLY TESTED FOR SHORTS AND OPENS.
3. ALL ASSEMBLIES TO BE 100% HI-POT TESTED AT 600V.
4. PACKAGE ASSEMBLIES IN ANTI-STATIC OR STATIC DISSIPATIVE BAGS
5. ETEST STICKER TO BE PLACED AS SHOWN. LABEL TO BE FLAGGED AROUND SINGLE WIRE AND TO BE PLACED ON CABLE ASSY AS SHOWN. LABEL TO CONTAIN: PART NUMBER, SHOP ORDER & DATE CODE.
6. CABLE LENGTH GREATER THAN 1000mm [39.4"] IS A VALID PART NUMBER, BUT IS NOT SUPPORTED BY S.I. TEST DATA.
7. CABLE LESS THAN 5" [127.0mm] HAVE A LENGTH TOLERANCE OF ±.050"[1.27mm].
8. MEASURE OVER THERMO WELD FEATURES.
9. BUILT AS IJ5C-XX-XXXX-S-D-NDS-X AND CUT TO LENGTH.

DETAIL 'G'



<p>UNLESS OTHERWISE SPECIFIED, DIMENSIONS ARE IN [MILLIMETERS]/INCHES</p> <p>TOLERANCES ARE:</p> <p>DECIMALS ANGLES</p> <p>.X: ±.3[.01] 2°</p> <p>.XX: ±.13[.005]</p> <p>.XXX: ±.051[.0020]</p>	<p>PROPRIETARY NOTE</p> <p>THIS DOCUMENT CONTAINS INFORMATION CONFIDENTIAL AND PROPRIETARY TO SAMTEC, INC. AND SHALL NOT BE REPRODUCED OR TRANSFERRED TO OTHER DOCUMENTS OR DISCLOSED TO OTHERS OR USED FOR ANY PURPOSE OTHER THAN THAT WHICH IT WAS OBTAINED WITHOUT THE EXPRESSED WRITTEN CONSENT OF SAMTEC, INC.</p>	<p>520 PARK EAST BLVD, NEW ALBANY, IN 47150 PHONE: 812-944-6733 FAX: 812-948-5047 e-Mail: info@SAMTEC.com code: 55322</p>

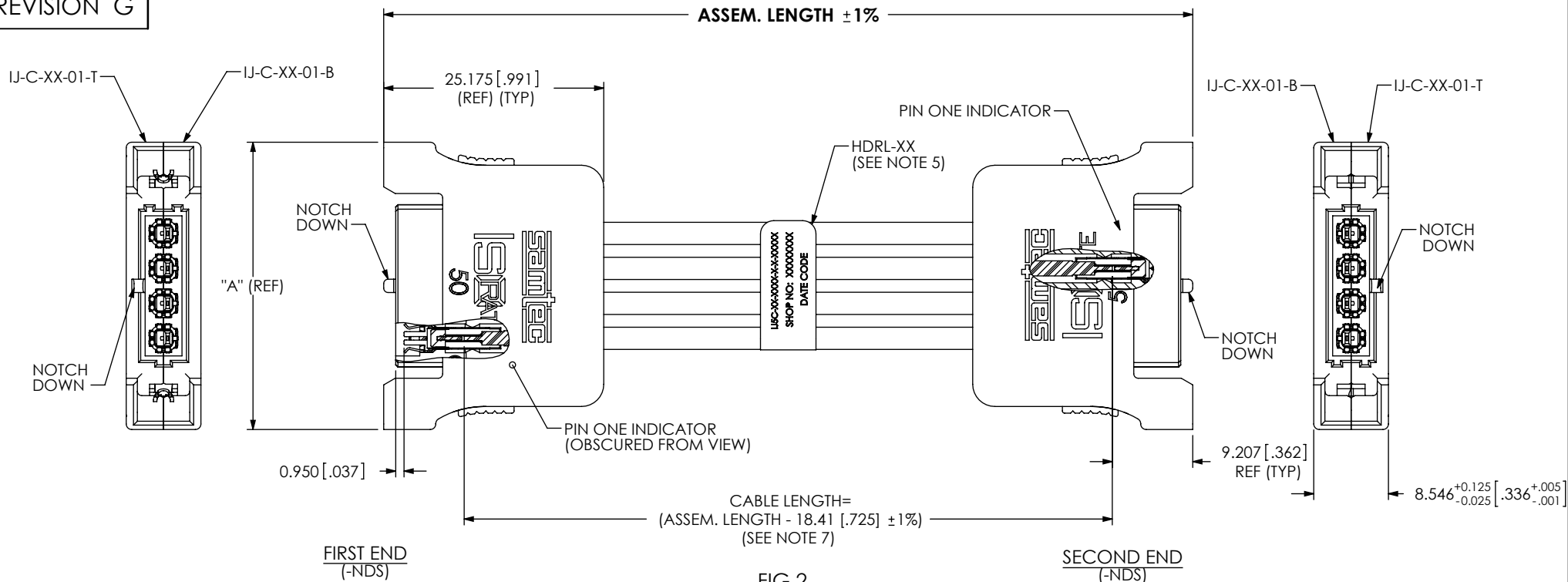


FIG 2  
(IJ5C-04-XXXX-S-D-NDS-1 SHOWN)  
(SAME AS FIG 1, EXCEPT AS SHOWN)  
(SHOWING SECOND END ORIENTATION -NDS)

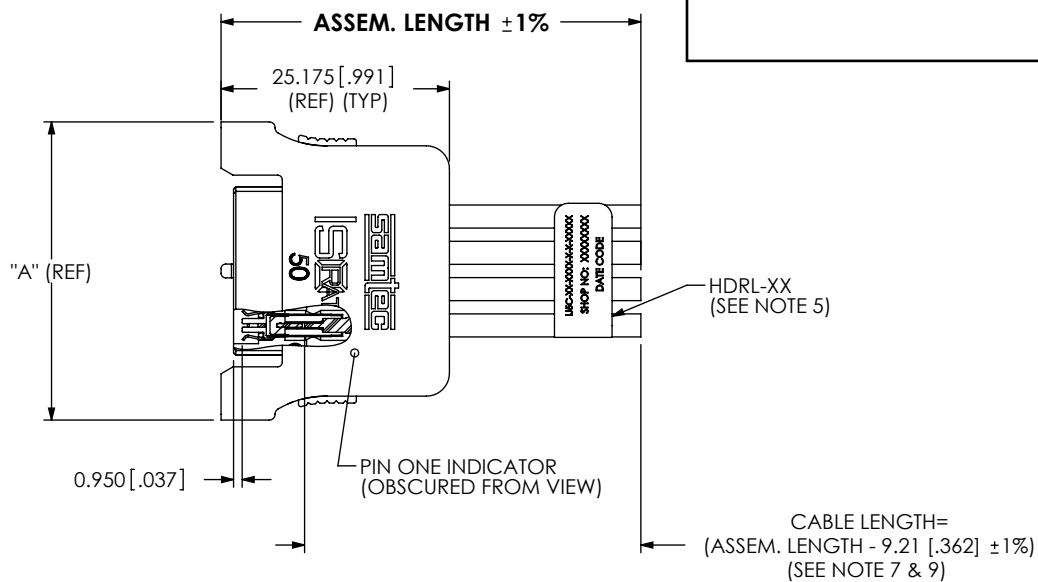


FIG 3  
(IJ5C-04-XXXX-S-S-1 SHOWN)  
(SAME AS FIG 1, EXCEPT AS SHOWN)

PROPRIETARY NOTE  
THIS DOCUMENT CONTAINS INFORMATION  
CONFIDENTIAL AND PROPRIETARY TO  
SAMTEC, INC. AND SHALL NOT BE REPRODUCED  
OR TRANSFERRED TO OTHER DOCUMENTS OR  
DISCLOSED TO OTHERS OR USED FOR ANY  
PURPOSE OTHER THAN THAT WHICH IT WAS  
OBTAINED WITHOUT THE EXPRESSED WRITTEN  
CONSENT OF SAMTEC, INC.

DO NOT SCALE DRAWING

SHEET SCALE: 1:0.666667



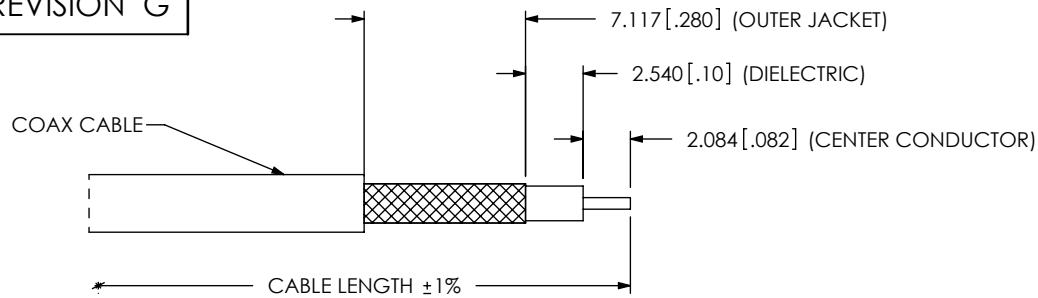
520 PARK EAST BLVD, NEW ALBANY, IN 47150  
PHONE: 812-944-6733 FAX: 812-948-5047  
e-Mail: info@SAMTEC.com code: 55322

DESCRIPTION:  
CABLE ASSEMBLY, IJ5C CONNECTOR

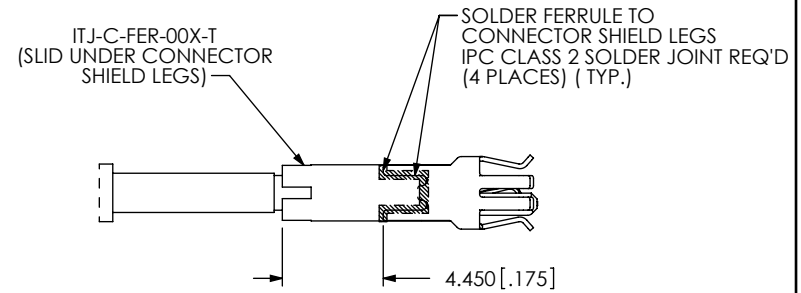
DWG. NO.  
IJ5C-XX-XXXX-X-X-XXX-X-XX

BY: KNOWLDEN 04/16/2008 SHEET 2 OF 4

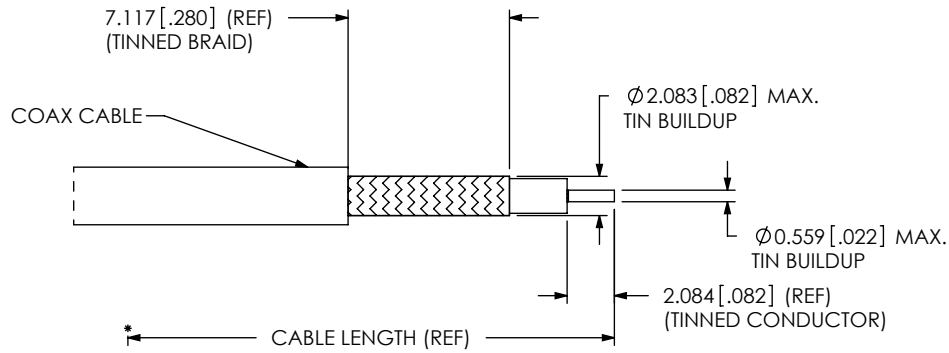
REVISION G



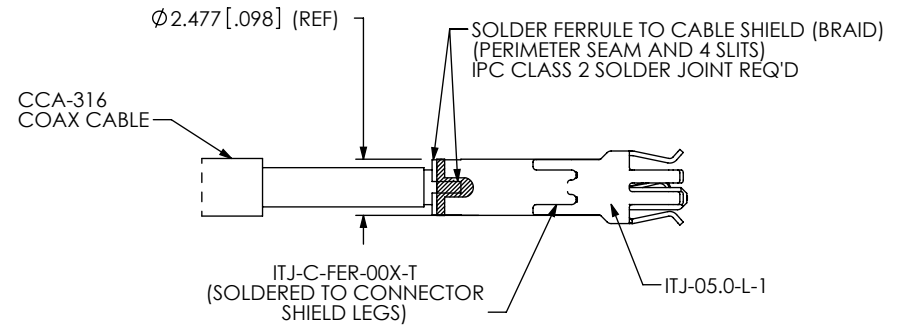
IN-PROCESS STEP 1  
(MEASURE AND STRIP CABLE)  
(SEE IJ5C CABLE TRAVELER FOR PREP INSTRUCTIONS)



IN-PROCESS STEP 4  
(POSITION & SOLDER ITJ-C-FER-00X-T TO CONNECTOR LEGS )

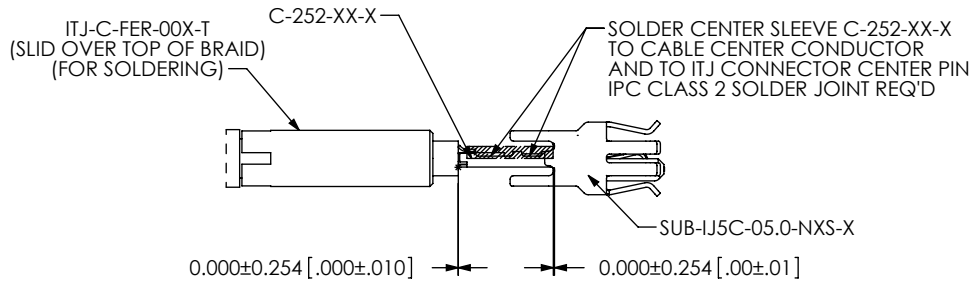


IN-PROCESS STEP 2  
(PRE-TIN BRAID & CONDUCTOR)  
(SEE IJ5C CABLE TRAVELER FOR PREP INSTRUCTIONS)



IN-PROCESS STEP 5  
(FINAL SOLDER ITJ-C-FER-00X-T TO TINNED BRAID )

ORIENTING SUB-IJ5C-05.0-NXS-X



IN-PROCESS STEP 3  
(INSTALL & SOLDER SUB-IJ5C )

PROPRIETARY NOTE  
THIS DOCUMENT CONTAINS INFORMATION CONFIDENTIAL AND PROPRIETARY TO SAMTEC, INC. AND SHALL NOT BE REPRODUCED OR TRANSFERRED TO OTHER DOCUMENTS OR DISCLOSED TO OTHERS OR USED FOR ANY PURPOSE OTHER THAN THAT WHICH IT WAS OBTAINED WITHOUT THE EXPRESSED WRITTEN CONSENT OF SAMTEC, INC.

DO NOT SCALE DRAWING

SHEET SCALE: 1:1



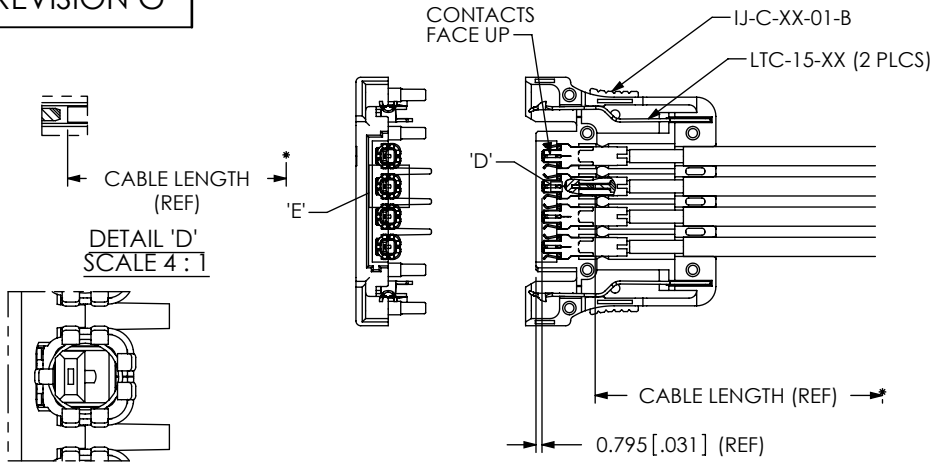
520 PARK EAST BLVD. NEW ALBANY, IN 47150  
PHONE: 812-944-6733 FAX: 812-948-5047  
e-Mail: info@SAMTEC.com code: 55322

DESCRIPTION:  
CABLE ASSEMBLY, IJ5C CONNECTOR

DWG. NO.  
IJ5C-XX-XXXX-X-X-XXX-X-XX

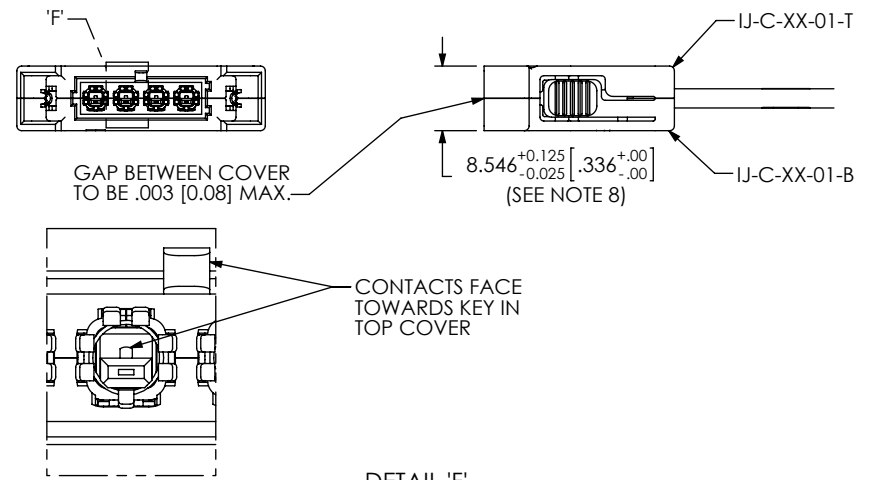
BY: KNOWLDEN 04/16/2008 SHEET 3 OF 4

REVISION G



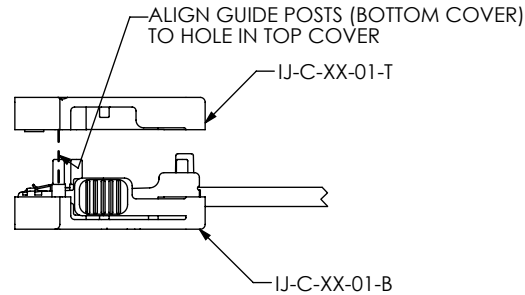
DETAIL 'E'  
SCALE 4:1

IN-PROCESS STEP 6  
(FILL BOTTOM COVER HOUSING)



DETAIL 'F'  
SCALE 4:1

IN-PROCESS STEP 8  
(THERMO WELD COVERS)



IN-PROCESS STEP 7  
(ASSEMBLE TOP COVER HOUSING)

**TABLE 2**

No. OF POS	END OPTION	CABLE TYPE		SUB	FERRULE	TOP HOUSING	BOTTOM HOUSING	LATCH
		OPTION	CABLE NAME					
-01	-S	-1	CTB-2650F-01	SUB-IJ5C-05.0-NXS-XXX	ITJ-C-FER-001-T ITJ-C-FER-002-T	IJ-C-01-01-T	IJ-C-01-01-B	LTC-15-01
		-2	CCA-316					
-01	-D	-1	CTB-2650F-01	SUB-IJ5C-05.0-NXS-XXX	ITJ-C-FER-001-T ITJ-C-FER-002-T	IJ-C-01-01-T	IJ-C-01-01-B	LTC-15-01
		-2	CCA-316					
-02	-S	-1	CTB-2650F-01	SUB-IJ5C-05.0-NXS-XXX	ITJ-C-FER-001-T ITJ-C-FER-002-T	IJ-C-02-01-T	IJ-C-02-01-B	LTC-15-01
		-2	CCA-316					
-02	-D	-1	CTB-2650F-01	SUB-IJ5C-05.0-NXS-XXX	ITJ-C-FER-001-T ITJ-C-FER-002-T	IJ-C-02-01-T	IJ-C-02-01-B	LTC-15-01
		-2	CCA-316					
-04	-S	-1	CTB-2650F-01	SUB-IJ5C-05.0-NXS-XXX	ITJ-C-FER-001-T ITJ-C-FER-002-T	IJ-C-04-01-T	IJ-C-04-01-B	LTC-15-01
		-2	CCA-316					
-04	-D	-1	CTB-2650F-01	SUB-IJ5C-05.0-NXS-XXX	ITJ-C-FER-001-T ITJ-C-FER-002-T	IJ-C-04-01-T	IJ-C-04-01-B	LTC-15-01
		-2	CCA-316					
-06	-S	-1	CTB-2650F-01	SUB-IJ5C-05.0-NXS-XXX	ITJ-C-FER-001-T ITJ-C-FER-002-T	IJ-C-06-01-T	IJ-C-06-01-B	LTC-15-01
		-2	CCA-316					
-06	-D	-1	CTB-2650F-01	SUB-IJ5C-05.0-NXS-XXX	ITJ-C-FER-001-T ITJ-C-FER-002-T	IJ-C-06-01-T	IJ-C-06-01-B	LTC-15-01
		-2	CCA-316					
-08	-S	-1	CTB-2650F-01	SUB-IJ5C-05.0-NXS-XXX	ITJ-C-FER-001-T ITJ-C-FER-002-T	IJ-C-08-01-T	IJ-C-08-01-B	LTC-15-01
		-2	CCA-316					
-08	-D	-1	CTB-2650F-01	SUB-IJ5C-05.0-NXS-XXX	ITJ-C-FER-001-T ITJ-C-FER-002-T	IJ-C-08-01-T	IJ-C-08-01-B	LTC-15-01
		-2	CCA-316					
*-10	-S	-1	CTB-2650F-01	SUB-IJ5C-05.0-NXS-XXX	ITJ-C-FER-001-T ITJ-C-FER-002-T	IJ-C-10-01-T	IJ-C-10-01-B	LTC-15-01
		-2	CCA-316					
*-10	-D	-1	CTB-2650F-01	SUB-IJ5C-05.0-NXS-XXX	ITJ-C-FER-001-T ITJ-C-FER-002-T	IJ-C-10-01-T	IJ-C-10-01-B	LTC-15-01
		-2	CCA-316					

(\* = NOT TOOLED)

PROPRIETARY NOTE

THIS DOCUMENT CONTAINS INFORMATION CONFIDENTIAL AND PROPRIETARY TO SAMTEC, INC. AND SHALL NOT BE REPRODUCED OR TRANSFERRED TO OTHER DOCUMENTS OR DISCLOSED TO OTHERS OR USED FOR ANY PURPOSE OTHER THAN THAT WHICH IT WAS OBTAINED WITHOUT THE EXPRESSED WRITTEN CONSENT OF SAMTEC, INC.

DO NOT SCALE DRAWING

SHEET SCALE: 1:1



520 PARK EAST BLVD, NEW ALBANY, IN 47150  
PHONE: 812-944-6733 FAX: 812-948-5047  
e-Mail: info@SAMTEC.com code: 55322

DESCRIPTION:  
CABLE ASSEMBLY, IJ5C CONNECTOR

DWG. NO.  
IJ5C-XX-XXXX-X-X-XXX-X-XX

BY: KNOWLDEN 04/16/2008 SHEET 4 OF 4

## X-ON Electronics

Largest Supplier of Electrical and Electronic Components

*Click to view similar products for [RF Cable Assemblies](#) category:*

*Click to view products by [Samtec](#) manufacturer:*

Other Similar products are found below :

[73-6352-10](#) [73-6353-3](#) [73-6364-6](#) [R285001001](#) [R288940004](#) [145111-05-12.00](#) [1661-C-24](#) [1801171170914KE](#) [24P104C24J1-012](#)  
[24P104C24P1-006](#) [24P104C24P1-018](#) [24P204C24J1-003](#) [172-2150-EX](#) [1800920920914PJ](#) [FCB-3030-ALT](#) [21117-046](#) [21117-050](#) [PCX-24-](#)  
[50](#) [24P103C24P2-003](#) [25P203C25P2-003](#) [R284008001](#) [R285001021](#) [R285426000](#) [R288940003](#) [4814-BB-24](#) [5260-72](#) [JT2N1-CL1-1F](#) [DLP-](#)  
[COAX1](#) [4814-K-48](#) [115101-09-06.00](#) [MXHT83QE3000](#) [CCNTN2-MM-LL335-26](#) [73-6351-25](#) [73-6352-3](#) [73-6353-25](#) [1800920920610PJ](#)  
[GD0BQ0BQ024.0](#) [1-3636-600-5210](#) [TL8A-11SMA-11SMA-01500-51](#) [R284C0351060](#) [R288940009](#) [R284C0351028](#) [R288940002](#) [9702-](#)  
[1SL-1](#) [PT82NSMA](#) [73-6353-10](#) [R285020301W](#) [PCX-18-50](#) [Minibend-9](#) [Minibend-4](#)