



(5.00 mm) .1969" PITCH • 30 A CABLE ASSEMBLY/COMPONENTS

| MPSS | NO. OF POSITIONS | WIRE GAUGE | PLATING OPTION | ASSEMBLED LENGTH | END 1 OPTION | END 2 OPTION |
|------|------------------|------------|----------------|------------------|--------------|--------------|
|------|------------------|------------|----------------|------------------|--------------|--------------|

-02, -03,
-04, -06, -08

-14
-16

-L
= 10 μ" (0.25 μm)
Gold on contact

-T
= Matte Tin

"XX.XX"
= Wire length in
inches (83.00 mm)
03.25" min.

-SR
= Single End

-DR
= Double End

(Available with -DR only)

-NUS
= Notch up, straight

-NDS
= Notch down, straight

MPSS

Board Mates:

MPT

SPECIFICATIONS

Insulator Material:

Nylon 6/6

Contact Material:

Copper Alloy

Plating:

Au or Sn over

50 μ" (1.27 μm) Ni

Latch:

Nylon 6/6

Operating Temp Range:

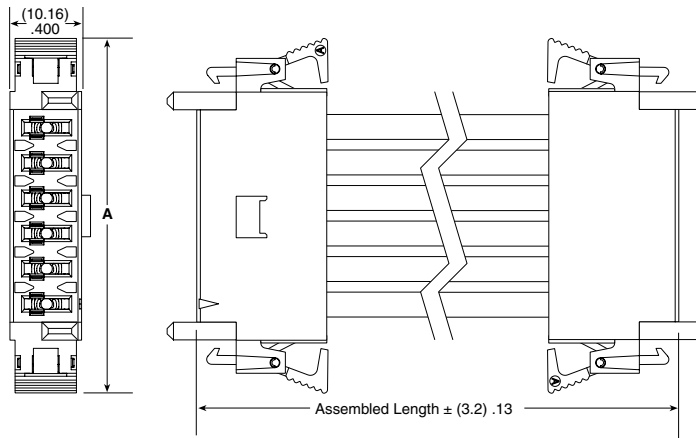
-30 °C to +105 °C

Voltage Rating:

600 VAC/848 VDC

Wire:

14 or 16 AWG



| NO. OF POSITIONS | A |
|------------------|---------------|
| -02 | (30.07) 1.184 |
| -03 | (35.07) 1.381 |
| -04 | (40.08) 1.578 |
| -06 | (50.09) 1.972 |
| -08 | (60.10) 2.366 |

| MPSS/MPT-V | |
|---------------|--------------------------|
| WIRE GAUGE | CURRENT RATING (PER PIN) |
| 14 AWG | 19.7 A |
| 16 AWG | 15.9 A |
| 1 PIN POWERED | |

View complete specifications at: samtec.com?MPSS

| IMS5 | POSITIONS PER ROW | 02 | SERIES | WIRE GAUGE | 01 | PLATING OPTION |
|------|-------------------|----|--------|------------|----|----------------|
|------|-------------------|----|--------|------------|----|----------------|

-02, -03, -04, -06, -08

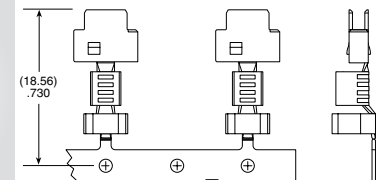
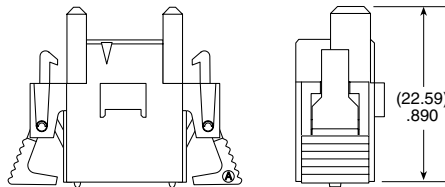
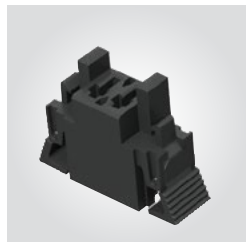
CC46L
= Contact, Loose

-1416
= 14 to 16 AWG

-L
= 10 μ" (0.25 μm)
Gold on contact

CC46R
= Contact,
Full Reel

-T
= Matte Tin



TOOLING

Hand Tool: CAT-HT-246-1416-14 (14-16 AWG)

Mini Applicator: CAT-MC-246-1416-XX-02 (14-16 AWG)

Extraction Tool: CAT-EX-MPSS-01

Note:

Some lengths, styles and options are non-standard, non-returnable

View complete specifications at: samtec.com?IMS5, samtec.com?CC46L & samtec.com?CC46R

X-ON Electronics

Largest Supplier of Electrical and Electronic Components

Click to view similar products for [Heavy Duty Power Connectors](#) category:

Click to view products by [Samtec](#) manufacturer:

Other Similar products are found below :

[647757-1](#) [6643411-1](#) [6646058-2](#) [6646137-1](#) [6646138-1](#) [6646479-1](#) [6646608-1](#) [6646786-1](#) [6646940-1](#) [6651091-1](#) [6651525-1](#) [6651529-1](#)
[6651788-1](#) [696475-1](#) [702-32-01109](#) [703-25-02205](#) [73000005059](#) [73000005642](#) [73080255059](#) [73080965046](#) [765-15-0080A](#) [765-16-0080B](#)
[765-18-0080D](#) [829992-1](#) [902-77-02113](#) [PS00/A0620/6300](#) [PS25/A0420/63](#) [129-1J](#) [1409400](#) [AN0024023](#) [E6374G1](#) [e6389g2](#) [157-43GW8](#)
[MS3117-14AC](#) [1643543-1](#) [1650540-1](#) [1651811-2](#) [1766260-1](#) [1766282-1](#) [1766966-1](#) [1791340000](#) [NLDFT-3-BL-L-S120-M40A](#) [NLDFT-N-](#)
[W-L-C240-M40B](#) [NLS-2-R-C240-M40B](#) [NLS-N-W-C240-M40B](#) [NPS-3-BL-T6](#) [1986615-1](#) [2-1589900-8](#) [2199314-1](#) [KA8102](#)