



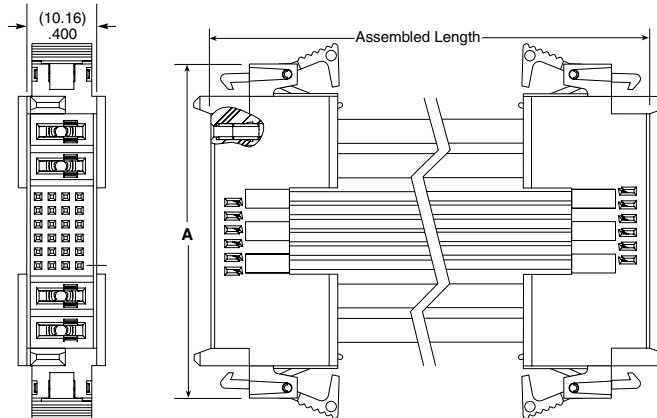
## 30 SIGNAL/POWER COMBO CABLE ASSEMBLY/COMPONENTS

MPCC	2	SIGNAL PINS	2	PLATING OPTION	LEAD STYLE	LENGTH	END 1 OPTION	END 2 OPTION
		-16 = Total Signal Pins		-L = 10 μm (0.25 μm) Gold on contact, Tin on tail (Power & Signal)	Specify LEAD STYLE from chart	-"XX.XX" = Assembled Length in Inches (101.60 mm) 04.00" min.	-S = Single End	(Available with -D only)
		-24 = Total Signal Pins		-T = Tin on contact and tail (Power), Gold on contact, Tin on tail (Signal)			-D = Double End	-NUS = Notch up, straight (Pin A1 to Pin AX)

**MPCC**  
Board Mates:  
MPTC

### SPECIFICATIONS

**Insulator Material:**  
Black LCP  
**Contact Material:**  
Signal: BeCu  
Power: Copper Alloy  
**Plating:**  
Sn or Au over 50 μm (1.27 μm) Ni  
**Current Rating:**  
Signal Pin (24 AWG):  
3.4 A per pin  
(4 adjacent pins powered)  
Power Pin (14 AWG):  
23.2 A per pin  
(1 pin powered)  
**Operating Temp Range:**  
-10 °C to +105 °C  
**Voltage Rating:**  
300 VAC

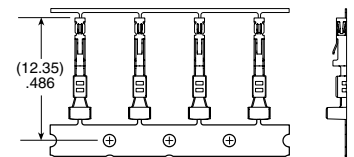
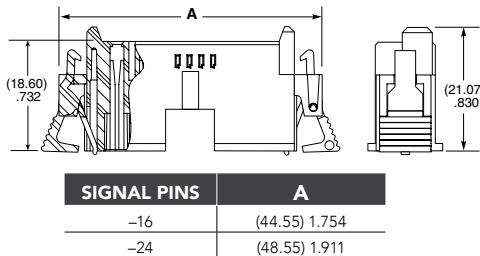


SIGNAL PINS	A
16	(44.55) 1.754
24	(48.55) 1.911

LEAD STYLE	PWR/SIG	AWG
-44	PWR	14
	SIG	24
-46	PWR	14
	SIG	26
-48	PWR	14
	SIG	28
-40	PWR	14
	SIG	30
-64	PWR	16
	SIG	24
-66	PWR	16
	SIG	26
-68	PWR	16
	SIG	28
-60	PWR	16
	SIG	30

View complete specifications at: [samtec.com?MPCC](http://samtec.com?MPCC)

IMSC5	POWER PINS	SIGNAL PINS	POWER PINS	L	SERIES	WIRE GAUGE	01	PLATING OPTION
	-02 = Power Pins Per End	-16 = Total Signal Pins	-02 = Power Pins Per End	-L = Latch	CC81L = Contact, Loose	-2426 = 24 to 26 AWG		-L = 10 μm (0.25 μm) Gold on contact
		-24 = Total Signal Pins			CC81R = Contact, Full Reel (17,000 Parts per Reel)	-2830 = 28 to 30 AWG		



**Note:** Power contact (CC46 Series) information on page 203.

### TOOLING

Hand Tool: CAT-HT-281-2430-13 (Signal: 24-30 AWG)  
CAT-HT-246-1416-13 (Power: 14-16 AWG)

Extraction Tool: CAT-EX-169-01 (Signal)  
CAT-EX-MPSS-01 (Power)

Mini Applicator: CAT-MC-246-1416-XX-01 (Power 14-16 AWG)  
CAT-MC-281-2426-XX-01 (Signal: 24-26 AWG)  
CAT-MC-281-2830-XX-01 (Signal: 28-30 AWG)

**Note:** Some lengths, styles and options are non-standard, non-returnable

View complete specifications at: [samtec.com?IMSC5](http://samtec.com?IMSC5), [samtec.com?CC81R](http://samtec.com?CC81R) & [samtec.com?CC81L](http://samtec.com?CC81L)

## X-ON Electronics

Largest Supplier of Electrical and Electronic Components

*Click to view similar products for [Heavy Duty Power Connectors](#) category:*

*Click to view products by [Samtec](#) manufacturer:*

Other Similar products are found below :

[647757-1](#) [6643411-1](#) [6646058-2](#) [6646137-1](#) [6646138-1](#) [6646608-1](#) [6646786-1](#) [6646940-1](#) [6651091-1](#) [6651525-1](#) [6651529-1](#) [6651788-1](#)  
[696475-1](#) [702-32-01109](#) [703-25-02205](#) [73000005059](#) [73000005642](#) [73080254296](#) [73080255059](#) [73080965046](#) [765-15-0080A](#)  
[765-16-0080B](#) [765-18-0080D](#) [902-77-02113](#) [PS00/A0620/6300](#) [1221200000](#) [129-1J](#) [1409400](#) [E6374G1](#) [e6389g2](#) [157-43GW8](#) [MS3117-](#)  
[14AC](#) [1643543-1](#) [1650540-1](#) [1651811-2](#) [1766260-1](#) [1766282-1](#) [1766966-1](#) [1791340000](#) [NLDFT-3-BL-L-S120-M40A](#) [NLDFT-N-W-L-](#)  
[C240-M40B](#) [1926015-1](#) [NLS-N-W-C240-M40B](#) [2-1589900-8](#) [2199314-1](#) [KA8102](#) [9300480317](#) [29131](#) [294-0091-01100](#) [296-0040-01100](#)