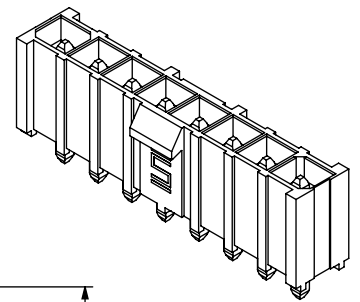
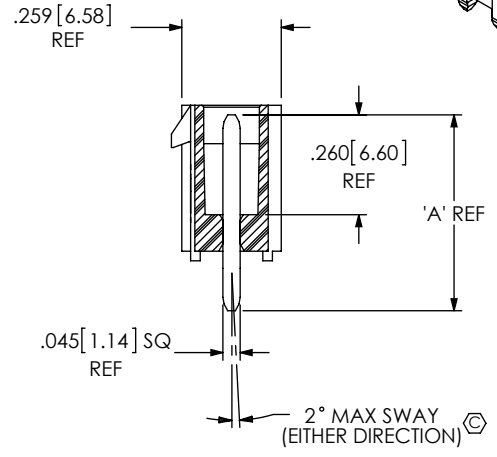
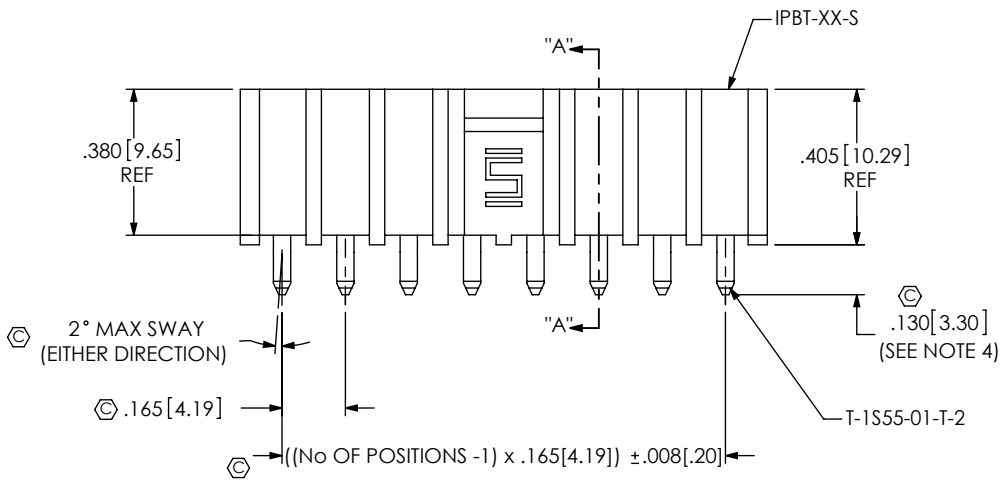
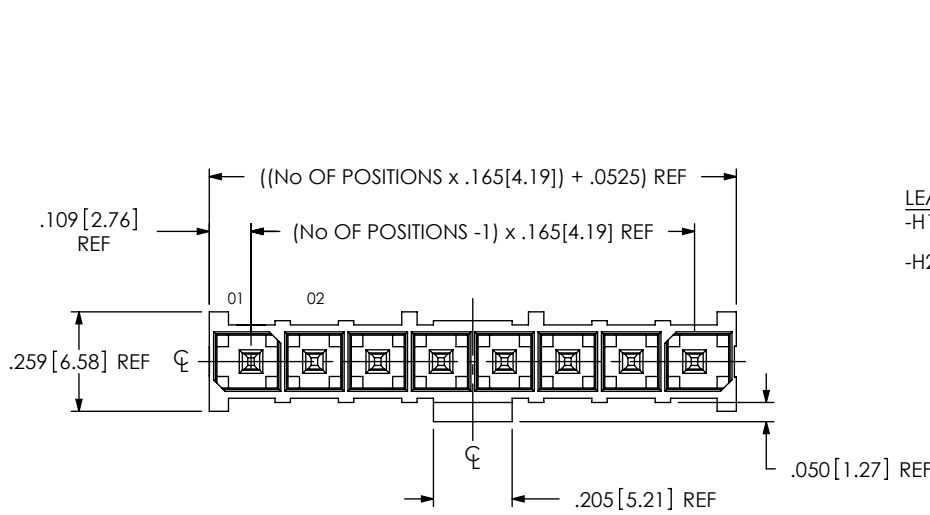


DO NOT SCALE FROM THIS PRINT



- NOTES:
1. C REPRESENTS A CRITICAL DIMENSION.
 2. PARTS TO BE MOLDED TO POSITION.
 3. MINIMUM TERMINAL RETENTION: 1 LB[4.45 N].
 4. POST MUST BE WITHIN $.005[.13]$ OF EACH OTHER.

FIG 1
IPBT-108-H1-XX-S SHOWN

TABLE 1			
PART NUMBER	BODY	TERMINAL	"A" REF
IPBT-1XX-H1-XX-S	IPBT-XX-S	T-1S55-01-T-2	.5100
IPBT-1XX-H2-XX-S	IPBT-XX-S	T-1S55-02-T-2	.6071
IPBT-1XX-H1-XX-S-RA	IPBT-XX-S	T-1S55-03-T-2	.6861
IPBT-1XX-H1-XX-S-RA-GP	IPBT-XX-S-GP	T-1S55-03-T-2	.6861
IPBT-1XX-H1-XX-S-GP	IPBT-XX-S-GP	T-1S55-01-T-2	.5100
IPBT-1XX-H2-XX-S-GP	IPBT-XX-S-GP	T-1S55-02-T-2	.6071

UNLESS OTHERWISE SPECIFIED, DIMENSIONS ARE IN INCHES. TOLERANCES ARE:
 DECIMALS: .XX: $\pm .01[.3]$
 .XXX: $\pm .005[.13]$
 .XXXX: $\pm .0020[.051]$

PROPRIETARY NOTE
 THIS DOCUMENT CONTAINS INFORMATION CONFIDENTIAL AND PROPRIETARY TO SAMTEC, INC. AND SHALL NOT BE REPRODUCED OR TRANSFERRED TO OTHER DOCUMENTS OR DISCLOSED TO OTHERS OR USED FOR ANY PURPOSE OTHER THAN THAT WHICH IT WAS OBTAINED WITHOUT THE EXPRESSED WRITTEN CONSENT OF SAMTEC, INC.

520 PARK EAST BLVD, NEW ALBANY, IN 47150
 PHONE: 812-944-6733 FAX: 812-948-5047
 e-Mail: info@SAMTEC.com code 55322

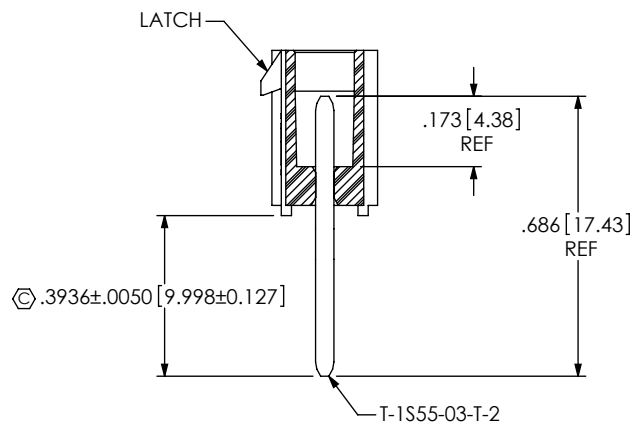
MATERIAL: DO NOT SCALE DRAWING SHEET SCALE: 2:1
 INSULATOR: LCP, UL 94 VO COLOR: BLACK
 TERMINAL: HIGH COPPER ALLOY

DESCRIPTION:
 .165 SINGLE ROW TERMINAL ASSEMBLY

DWG. NO. IPBT-1XX-XX-XX-S-XX

BY: KEVIN B 05/06/03 SHEET 1 OF 3

IN-PROCESS 1



IN-PROCESS 2

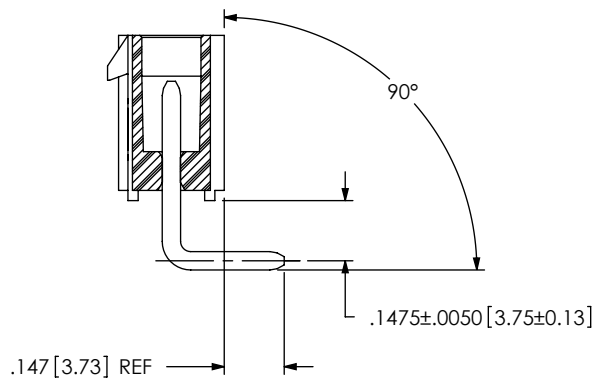


FIG 5

-K: POLARIZATION
(IPBT-105-H1-XX-S-K SHOWN)
(SAME AS FIG 1 UNLESS OTHERWISE STATED)

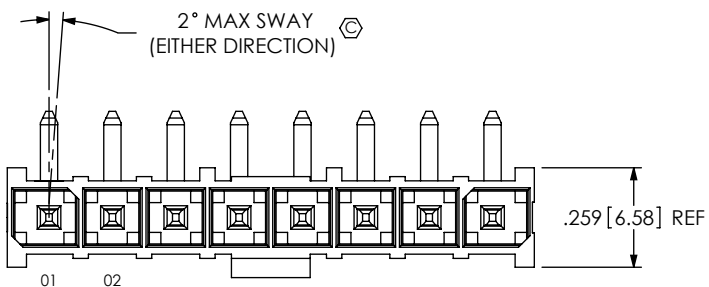
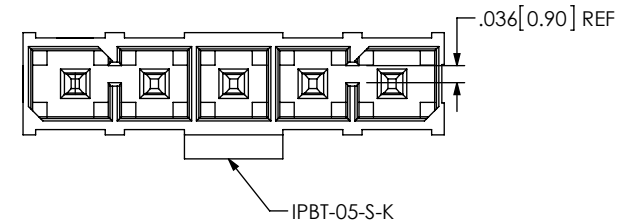
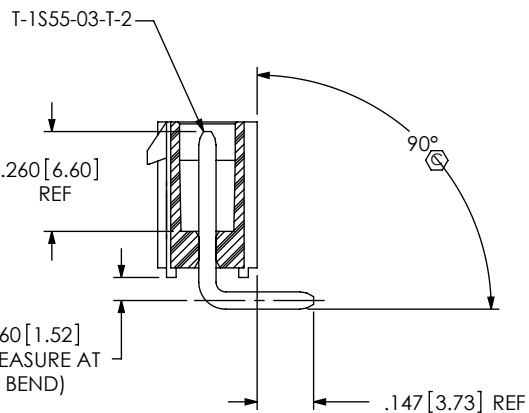
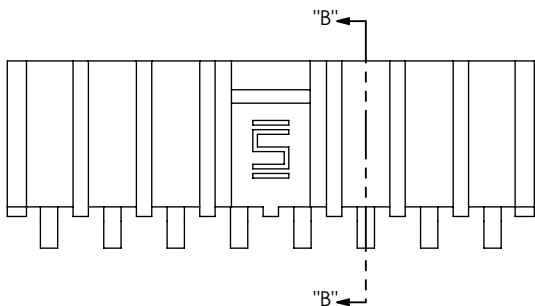
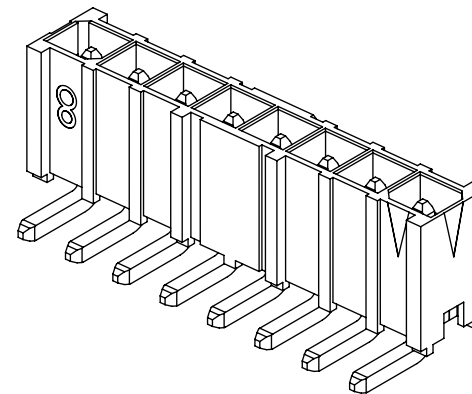


FIG 2

-RA: RIGHT ANGLE
(IPBT-108-H1-XX-S-RA SHOWN)
(DIFFERENT AS SHOWN, OTHERWISE SAME AS FIG 1)
(STYLE -H2 NOT AVAILABLE)



SECTION "B"-"B"



F:\DWG\MISC\MKTG\IPBT-1XX-XX-XX-S-XX-MKT.SLDDRW

PROPRIETARY NOTE

THIS DOCUMENT CONTAINS INFORMATION CONFIDENTIAL AND PROPRIETARY TO SAMTEC, INC. AND SHALL NOT BE REPRODUCED OR TRANSFERRED TO OTHER DOCUMENTS OR DISCLOSED TO OTHERS OR USED FOR ANY PURPOSE OTHER THAN THAT WHICH IT WAS OBTAINED WITHOUT THE EXPRESSED WRITTEN CONSENT OF SAMTEC, INC.

DO NOT SCALE DRAWING

SHEET SCALE: 2:1



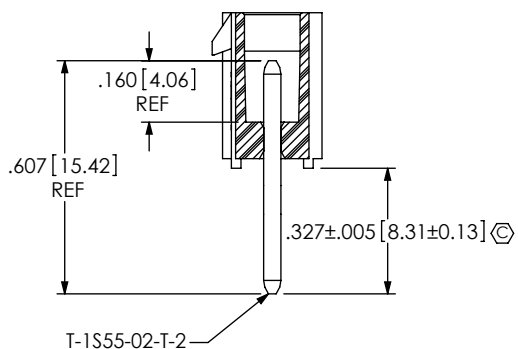
520 PARK EAST BLVD, NEW ALBANY, IN 47150
PHONE: 812-944-6733 FAX: 812-948-5047
e-Mail: info@SAMTEC.com code 55322

DESCRIPTION:
.165 SINGLE ROW TERMINAL ASSEMBLY

DWG. NO.
IPBT-1XX-XX-XX-S-XX

BY: KEVIN B 05/06/03 SHEET 2 OF 3

IN-PROCESS 1



IN-PROCESS 2

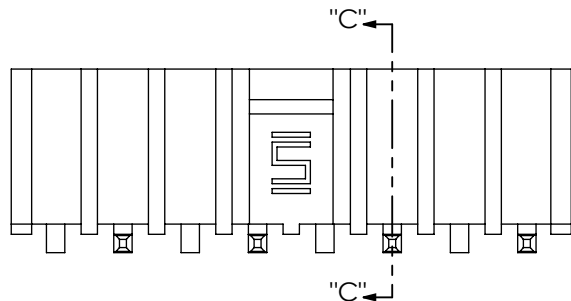
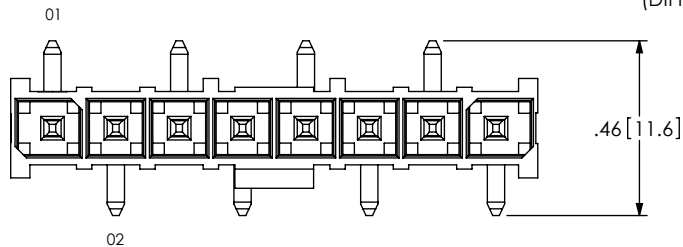
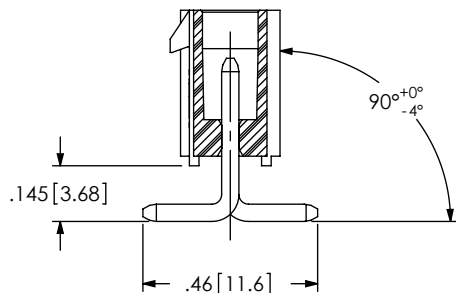
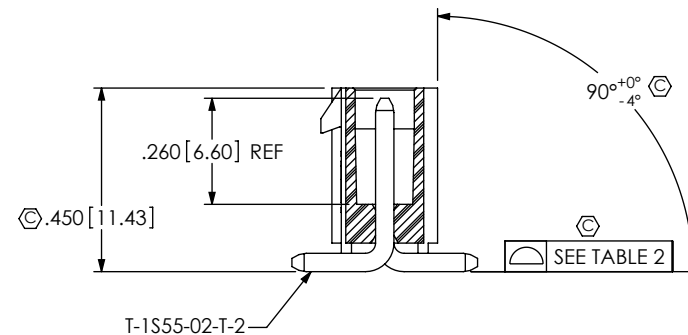
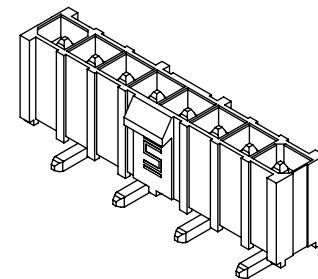


TABLE 2	
No OF POSITIONS	COPLANARITY
-02 THRU -08	.004[.10]
-09 & -10	.006[.15]

FIG 3

STYLE -H2: SURFACE MOUNT
(IPBT-108-H2-XX-S SHOWN)
(DIFFERENT AS SHOWN, OTHERWISE SAME AS FIG 1)

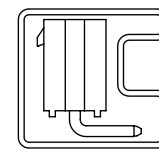


SECTION "C"-"C"

PACKAGING VIEW

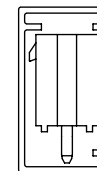
[PARTS TO HAVE POSITION #1 LOADED IN SAME DIRECTION AS ARROW ON TUBE]

RIGHT ANGLE



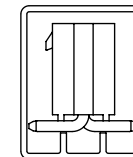
TUBE: PT-1-24-01-40
PLUG: TP-13

THROUGH HOLE



TUBE: PT-1-24-06-51
PLUG: TP-07

SURFACE MOUNT

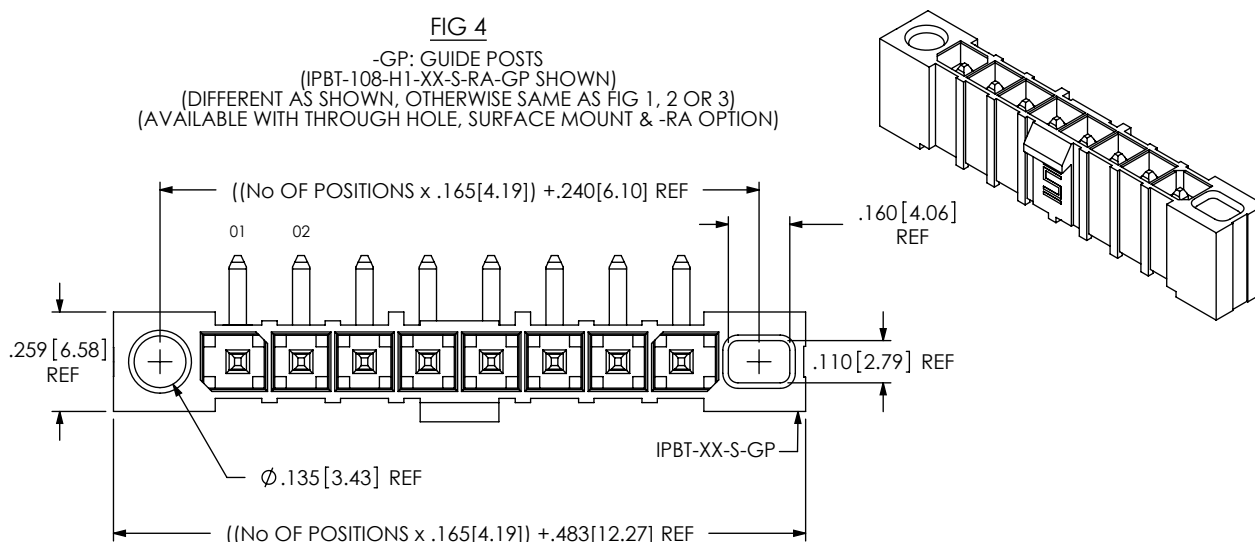


TUBE: PT-1-24-01-58
PLUG: TP-13

F:\DWG\MISC\MKTG\IPBT-1XX-XX-XX-S-XX-MKT.SLDDRW

FIG 4

-GP: GUIDE POSTS
(IPBT-108-H1-XX-S-RA-GP SHOWN)
(DIFFERENT AS SHOWN, OTHERWISE SAME AS FIG 1, 2 OR 3)
(AVAILABLE WITH THROUGH HOLE, SURFACE MOUNT & -RA OPTION)



PROPRIETARY NOTE

THIS DOCUMENT CONTAINS INFORMATION CONFIDENTIAL AND PROPRIETARY TO SAMTEC, INC. AND SHALL NOT BE REPRODUCED OR TRANSFERRED TO OTHER DOCUMENTS OR DISCLOSED TO OTHERS OR USED FOR ANY PURPOSE OTHER THAN THAT WHICH IT WAS OBTAINED WITHOUT THE EXPRESSED WRITTEN CONSENT OF SAMTEC, INC.

DO NOT SCALE DRAWING

SHEET SCALE: 2:1



520 PARK EAST BLVD, NEW ALBANY, IN 47150
PHONE: 812-944-6733 FAX: 812-948-5047
e-Mail: info@SAMTEC.com code 55322

DESCRIPTION: .165 SINGLE ROW TERMINAL ASSEMBLY

DWG. NO. IPBT-1XX-XX-XX-S-XX

BY: KEVIN B 05/06/03 SHEET 3 OF 3

X-ON Electronics

Largest Supplier of Electrical and Electronic Components

Click to view similar products for [Power to the Board](#) category:

Click to view products by [Samtec](#) manufacturer:

Other Similar products are found below :

[6450171-4](#) [6450552-7](#) [6600323-8](#) [6643429-1](#) [6646040-2](#) [6651939-1](#) [6766604-1](#) [120959-1](#) [1393557-2](#) [1393532-2](#) [1393532-3](#) [1393532-4](#)
[1393557-1](#) [1600812-5](#) [1-6450861-2](#) [1744132-7](#) [1761122-1](#) [1766250-1](#) [1892109-1](#) [2-6450860-5](#) [2-6450870-0](#) [1-6450161-4](#) [1-6450850-6](#) [1-](#)
[6450869-6](#) [1645526-2](#) [1-6600130-0](#) [2005243-2](#) [377-0020-11130](#) [TE34-12-16P-F0](#) [51700-10201602AALF](#) [5-6450830-6](#) [5646956-4](#) [377-](#)
[0080-11131A](#) [4-6450830-9](#) [4-6600333-3](#) [10125416-4050LF](#) [10130248-005LF](#) [6600320-3](#) [3-6450860-5](#) [1888123-2](#) [6450166-1](#) [6643978-1](#)
[6766605-1](#) [701-15-02109](#) [N11444](#) [6651938-1](#) [6450810-7](#) [46437-1112](#) [1-1589677-8](#) [5646956-5](#)