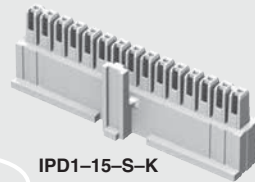
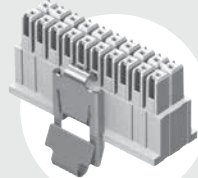




miniMATE®

(2.54 mm) .100"

IPD1-10-D-K-M



IPD1-15-S-K



CC79L-2630-01-L

IPD1, CC79L, CC79R, PK-79 SERIES

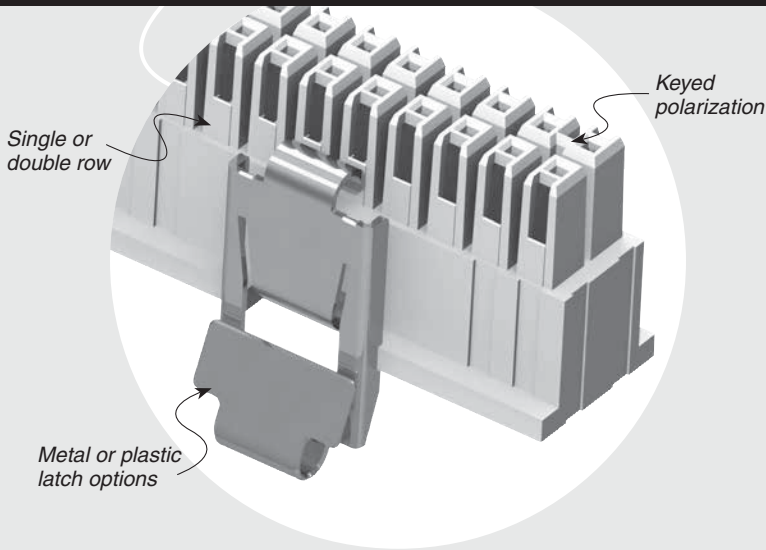
DISCRETE WIRE CABLE COMPONENTS

SPECIFICATIONS

For complete specifications see www.samtec.com?IPD1, www.samtec.com?CC79L, or www.samtec.com?CC79R

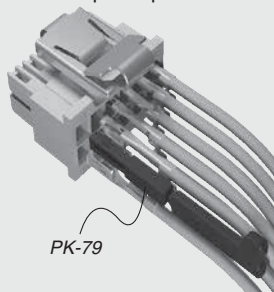
TOOLING

- Hand Tool (20-30 AWG): CAT-HT-179-2030-13
- Mini Applicator (20-24 AWG): CAT-MC-179-2024-XX-01
- Mini Applicator (26-30 AWG): CAT-MC-179-2630-XX-01
- Extraction Tool: CAT-EX-179-01



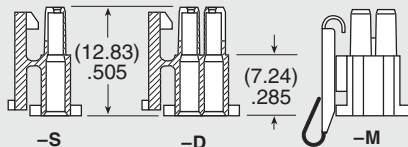
PK-79

- Replaces the CC79 contact in the Mini Mate® housing (IPD1) for customizable polarization
- Plugs are molded black for better visibility against the white Mini Mate® housing
- PK-79 plugs are packaged in standard 50 pcs/bulk bag
- Handle is easily removed after insertion
- See www.samtec.com?PK79 for complete specifications

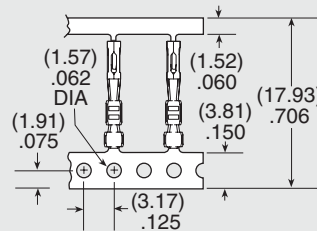


PK-79

TYPE	POSITIONS PER ROW	ROW OPTION	K	LATCH OPTION	TYPE	WIRE GAUGE	01	PLATING OPTION
IPD1 = Body, Loose	-02, -03, -04, -05, -06, -08, -10, -12, -15, -16, -20, -25 (Standard sizes)	-S = Single Row -D = Double Row	-K = Keyed Polarization	-M = Metal Latch (Metal for more rugged environments) (-02, -05 & -10 positions only) (Leave blank for plastic latch)	CC79L = Contact, Loose CC79R = Contact, Full Reel (12,000 Parts per Reel)	-2630 = 26 to 30 AWG -2024 = 20 to 24 AWG		-L = 10 μ" (0.25 μm) Gold on contact, Tin on tail



Insulator Material: Nylon 66



Contact Material: Phosphor Bronze

Due to technical progress, all designs, specifications and components are subject to change without notice.

WWW.SAMTEC.COM

All parts within this catalog are built to Samtec's specifications. Customer specific requirements must be approved by Samtec and identified in a Samtec customer-specific drawing to apply.

X-ON Electronics

Largest Supplier of Electrical and Electronic Components

Click to view similar products for [Headers & Wire Housings](#) category:

Click to view products by [Samtec](#) manufacturer:

Other Similar products are found below :

[95000-104TRLF](#) [10135584-644402LF](#) [DF62W-EP2022PCA](#) [95000-106TRLF](#) [DF62W-2022SCA](#) [DF62W-EP2022PC](#) [2203348](#) [DF62W-2022SC](#) [1084018](#) [1029039](#) [1084017](#) [802-10-012-10-002000](#) [1112640](#) [1112639](#) [891-007-9SS-BST1T](#) [000-34000](#) [0008550134](#) [0009482033](#) [0009507031](#) [57102-F02-18ULF](#) [57102-S06-03LF](#) [57202-S52-04LF](#) [PCN6-15S-2.5E](#) [0039019024](#) [58102-G61-06LF](#) [582553-1](#) [0009485154](#) [0009508121](#) [0022285053](#) [0050291907](#) [018731A](#) [LY20-4P-DT1-P1E-BR](#) [02.125.8002.8](#) [60101931](#) [60598-1 \(Cut Strip\)](#) [M1625-3R/100](#) [61062-3](#) [61082-181009](#) [CSU011177004](#) [636-1427](#) [638009-1](#) [641938-9](#) [641991-4](#) [644168-1](#) [644827-2](#) [647662-1](#) [65039-019ELF](#) [65692-001LF](#) [65781-018](#) [65781-047](#)