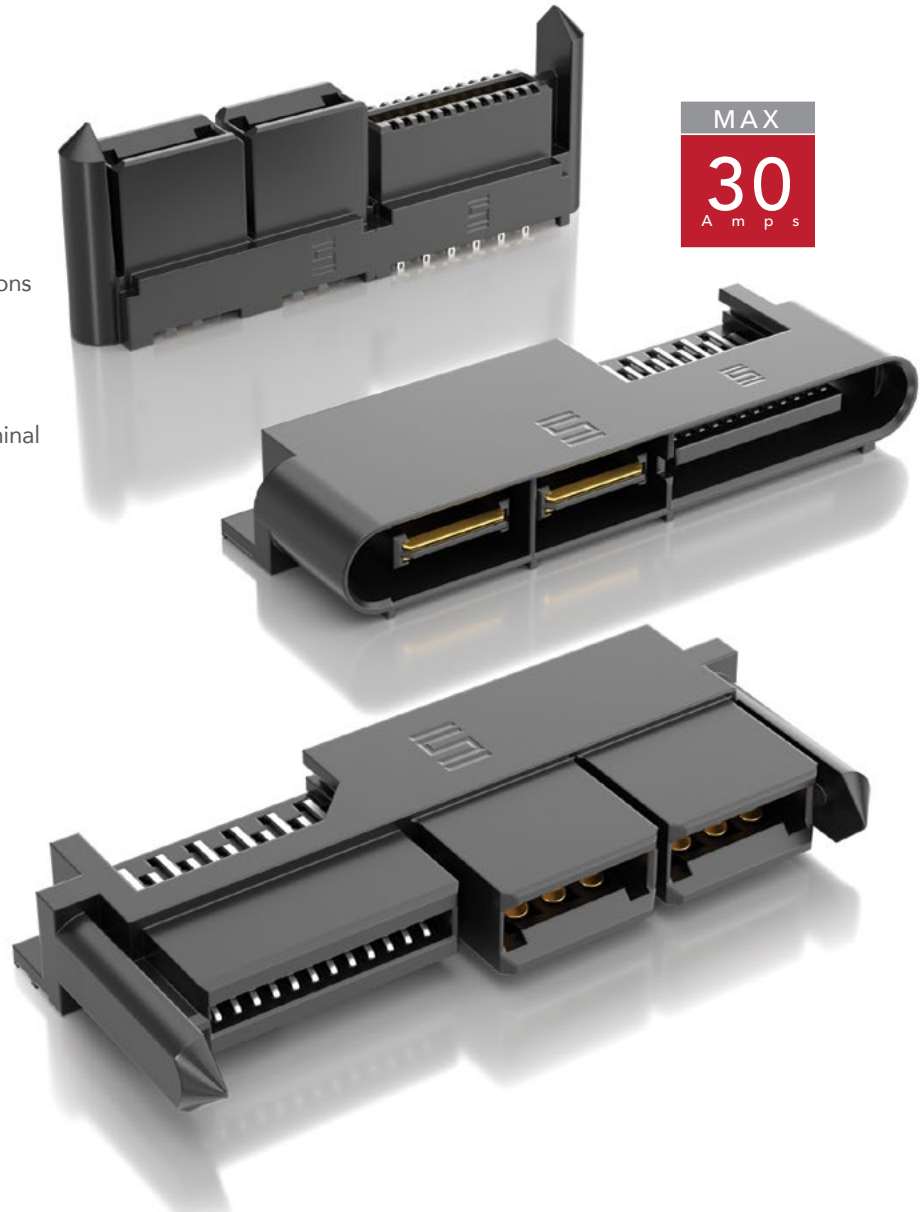


LOW-PROFILE, EXTREME HIGH-POWER/SIGNAL COMBO

FEATURES & BENEFITS

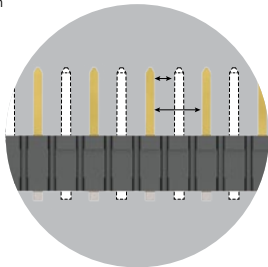
- 30 A per power blade and 1 A per signal pin
- Low 7.5 mm profile design (right-angle) for improved system airflow and space savings
- Double-stacked power blades per bank for increased density and power
- Ideal for coplanar and perpendicular applications
- Rugged guide posts are standard for blind mating assistance
- Socket available as vertical with press-fit tails and right-angle through-hole; mates with terminal or standard .062" (1.60 mm) PCB card



MAX
30
A m p s

Standard Creepage*	5.63 mm
Standard Clearance*	2.69 mm

*Selectively loading contacts achieves customer specific creepage and clearance requirements. Contact asp@samtec.com



KEY SPECIFICATIONS

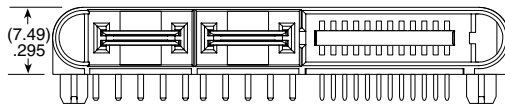
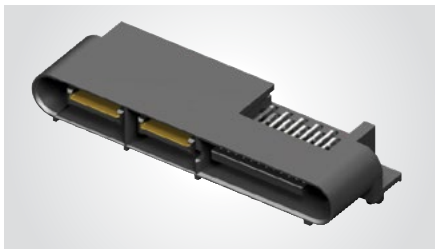
PITCH	INSULATOR MATERIAL	TERMINAL MATERIAL	PLATING	OPERATING TEMP RANGE	VOLTAGE RATING	MATING CYCLES	LEAD-FREE SOLDERABLE
(12.00 mm) .472" (pwr) (1.27 mm) .050" (sig)	Black LCP	Signal: Brass Power: Copper Alloy	Au or Sn over 50 μ" (1.27 μm) Ni	40 °C to +105 °C	250 VAC / 500 VDC	250 (MFG Tested)	Yes (RT1 & RT2 option)

Notes:
Series is rated up to 60 A per power bank.
Some lengths, styles and options are non-standard, non-returnable.
The Molex EXTreme LPHPower™ line is a second source to the Samtec LPHT/LPHS Series.
*EXTreme LPHPower™ is a trademark of Molex Incorporated.

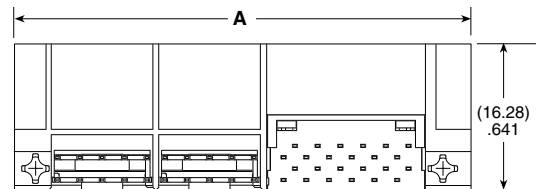
30 A SIGNAL/POWER COMBO SYSTEM

SERIES	POWER POSITIONS	SIGNAL POSITIONS	PLATING OPTION	TAIL	GP
LPHT Terminal LPHS Socket	Total, 2 per power bank -02, -04, -06, -08, -10	Total -16 -20 -24 -32	-L = 10 μ" (0.25 μm) Gold on contact, Matte Tin on tail	-VP1 = Vertical Press-fit (LPHS only) -RT1 = Right-angle Through-hole (Use with (1.60 mm) .062" thick board) -RT2 = Right-angle Through-hole (Use with (2.36 mm) .093" thick board)	

LPHT
Board Mates:
LPHS

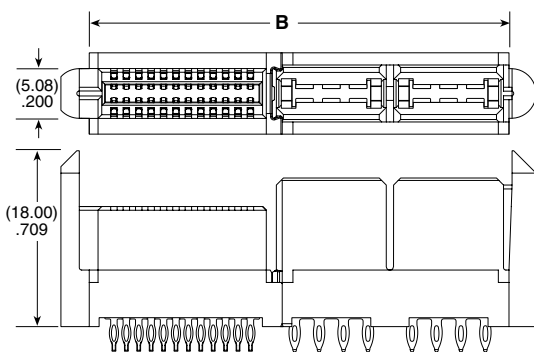
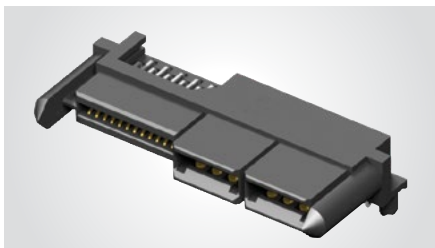


SIGNAL POSITIONS	POWER POSITIONS				
	A (-02)	A (-04)	A (-06)	A (-08)	A (-10)
-16	(33.97) 1.337	(45.97) 1.810	(57.97) 2.282	(69.97) 2.755	(81.97) 3.227
-20	(36.51) 1.437	(48.51) 1.910	(60.51) 2.382	(72.51) 2.855	(84.51) 3.327
-24	(39.05) 1.537	(51.05) 2.010	(63.05) 2.482	(75.05) 2.955	(87.05) 3.427
-32	(44.13) 1.737	(56.13) 2.210	(68.13) 2.682	(80.13) 3.155	(92.13) 3.627



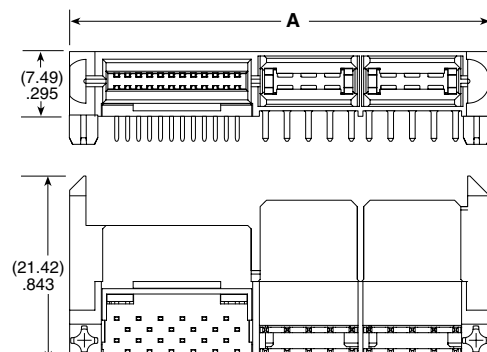
View complete specifications at: samtec.com?LPHT

LPHS
Board Mates:
LPHT



-VP

SIGNAL POSITIONS	POWER POSITIONS									
	A (-02)	B (-02)	A (-04)	B (-04)	A (-06)	B (-06)	A (-08)	B (-08)	A (-10)	B (-10)
-16	(31.64) 1.918	(25.88) 1.019	(43.64) 1.718	(37.88) 1.491	(55.64) 2.191	(49.88) 1.964	(67.64) 2.633	(61.88) 2.436	(79.64) 3.135	(73.88) 2.909
-20	(34.18) 1.346	(28.42) 1.119	(46.18) 1.818	(40.42) 1.591	(58.18) 2.291	(52.42) 2.064	(70.18) 2.763	(64.42) 2.536	(82.18) 3.235	(76.42) 3.009
-24	(36.72) 1.446	(30.96) 1.219	(48.72) 1.918	(42.96) 1.691	(60.72) 2.391	(54.96) 2.164	(72.72) 2.863	(66.96) 2.636	(84.72) 3.335	(78.96) 3.109
-32	(41.80) 1.646	(36.04) 1.419	(53.80) 2.118	(48.04) 1.891	(65.80) 2.591	(60.04) 2.364	(78.00) 3.063	(72.04) 2.836	(89.80) 3.535	(84.04) 3.309



-RT

View complete specifications at: samtec.com?LPHS

X-ON Electronics

Largest Supplier of Electrical and Electronic Components

Click to view similar products for [Heavy Duty Power Connectors](#) category:

Click to view products by [Samtec](#) manufacturer:

Other Similar products are found below :

[647757-1](#) [6643411-1](#) [6646058-2](#) [6646137-1](#) [6646138-1](#) [6646479-1](#) [6646608-1](#) [6646786-1](#) [6646940-1](#) [6651091-1](#) [6651525-1](#) [6651529-1](#)
[6651788-1](#) [696475-1](#) [702-32-01109](#) [703-25-02205](#) [73000005059](#) [73000005642](#) [73080255059](#) [73080965046](#) [765-15-0080A](#) [765-16-0080B](#)
[765-18-0080D](#) [829992-1](#) [902-77-02113](#) [PS00/A0620/6300](#) [PS25/A0420/63](#) [129-1J](#) [1409400](#) [AN0024023](#) [E6374G1](#) [e6389g2](#) [157-43GW8](#)
[MS3117-14AC](#) [1643543-1](#) [1650540-1](#) [1651811-2](#) [1766260-1](#) [1766282-1](#) [1766966-1](#) [1791340000](#) [NLDFT-3-BL-L-S120-M40A](#) [NLDFT-N-](#)
[W-L-C240-M40B](#) [NLS-2-R-C240-M40B](#) [NLS-N-W-C240-M40B](#) [NPS-3-BL-T6](#) [1986615-1](#) [2-1589900-8](#) [2199314-1](#) [KA8102](#)