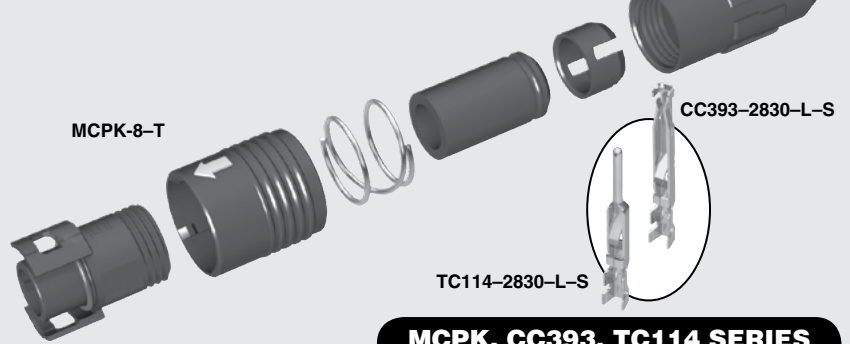




ACCLIMATE™



MCPK, CC393, TC114 SERIES

8 SERIES IP67 FIELD TERMINATION KIT

Mates with:
MCR(K), MCP(K)

SPECIFICATIONS

For complete specifications see www.samtec.com?MCPK

- Insulator Material:** PPS
- Terminal Material:** Phosphor Bronze
- Contact Material:** Phosphor Bronze
- Operating Temp Range:** -20 °C to +80 °C
- Gasket Material:** Silicone
- Spring Material:** Stainless Steel
- Coupling Ring Spacer:** PBT
- Cable Clamp:** POM
- RoHS Compliant:** Yes

DUST CAPS

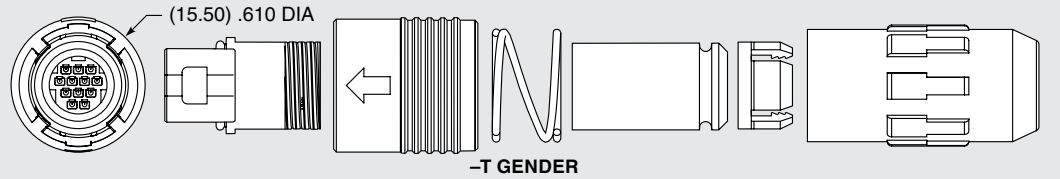
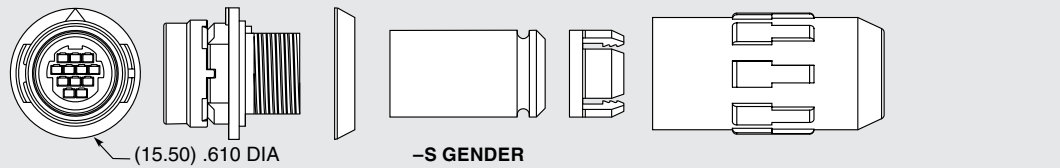
- -S (Socket) = DCA-MCR-8
 - -T (Terminal) = DCA-MCP-8
- Visit sealedio.samtec.com for a complete list of sealed systems

Note: Samtec's MCPK Series is dual sourced by Hirose Electric Co., LTD.



-T = Terminal (12 positions)

-S = Socket (12 positions)



SPECIFICATIONS

For complete specifications see www.samtec.com?CC393 or www.samtec.com?TC114

Plating:
10 μ" (0.25 μm) Gold on contact

TOOLING

- Hand Tool:
CAT-HT-393-2430-13
- Mini Applicator
(28-30 AWG):
CAT-MC-393-2830-XX-01
- Extraction Tool:
CAT-EX-MCX-8-01



CC393
= Contact

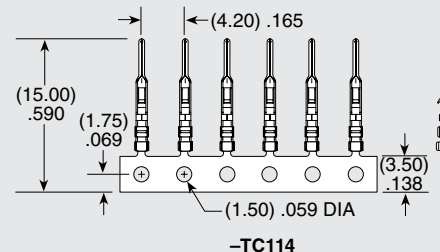
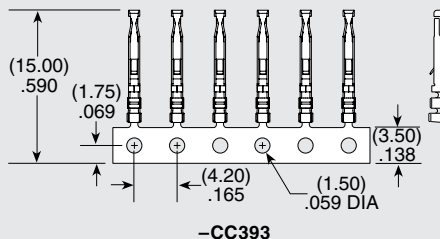
TC114
= Terminal

-2830
= 28 to 30 AWG

-S
= Strip
(15 contacts or terminals)

-M
= Mini Reel
(1,000 - 5,000 contacts or terminals)

-R
= Reel
(30,000 contacts or terminals)



X-ON Electronics

Largest Supplier of Electrical and Electronic Components

Click to view similar products for [Circular Push Pull Connectors](#) category:

Click to view products by [Samtec](#) manufacturer:

Other Similar products are found below :

[6407-249V-11273P](#) [6408-201V-13273](#) [6408-202V-13343](#) [6408-202V-17343](#) [EZG.0B.309.CLN](#) [FFA.2S.310.ZLA](#) [FGA.1B.307.CYCD72Z](#)
[FGJ.1B.304.CLLD76](#) [FGJ.1B.306.CWLD72](#) [FGJ.2B.302.CYMD82Z](#) [FGJ.3B.304.CYMD10Z](#) [FGJ.3B.304.CYMD82Z](#) [FHG.1B.303.CYCZ](#)
[PCS.01.250.DLLE24](#) [PHG.0K.305.CYMC40Z](#) [PHG.1K.308.CLLK85](#) [PKG.M0.6BL.LZ](#) [PLC.M1.0SL.LA](#) [GMA.10.290.DN](#)
[GMA.3B.090.DA](#) [PRG.M0.6GL.LC52GZ](#) [PSA.1S.275.CTLC66](#) [133020F](#) [1331ER193MZ](#) [1332M107MZ](#) [EAJ.1B.306.CWA](#)
[ECG.XB.312.CLL](#) [1589430-2](#) [ELF.00.250.NTL](#) [BRR.2S.200.PZVG](#) [HR10A-P](#) [CAH.M34.SLL.C72GZ](#) [CAJ.M34.SLL.C72GZ](#) [300500](#)
[EXG.0B.309.HLN](#) [FFA.2E.302.CLAC80Z](#) [FFB.1S.250.CLAC27](#) [FGA.2B.306.CYCD92Z](#) [FGJ.2B.302.CYMD62Z](#) [FGJ.2B.307.CLLD99](#)
[FGJ.3B.308.CLLD72Z](#) [FHG.1B.303.CYCD62](#) [FLC.00.250.CTAC31](#) [PCS.01.250.DLLE31](#) [PKA.M1.0TL.LG](#) [PKC.M0.7GL.NG](#)
[PKG.M0.4TL.LZ](#) [PPG.M1.0GG.N](#) [PRG.M0.4GL.LC39GZ](#) [PXG.M0.8GG.NG](#)