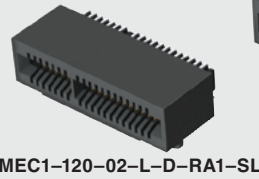
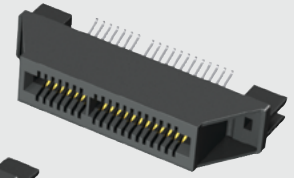
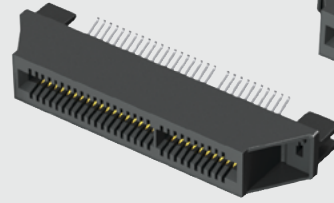


MEC1-130-02-L-D-EM2



MEC1-120-02-L-D-RA1-SL



MEC1-120-02-F-D-EM2

MEC1-RA, MEC1-EM SERIES

(1.00 mm) .0394"

# RIGHT-ANGLE/EDGE MOUNT SOCKETS

## SPECIFICATIONS

For complete specifications and recommended PCB layouts see [www.samtec.com?MEC1-RA](http://www.samtec.com?MEC1-RA)

**Insulator Material:** Black LCP  
**Contact Material:** Phosphor Bronze  
**Plating:** Au or Sn over 50 μ" (1.27 μm) Ni  
**Current Rating:** 1.6 A per pin (2 adjacent pins powered)  
**Operating Temp Range:** -55 °C to +125 °C  
**Insertion Depth:** (5.84 mm) .230" to (8.13 mm) .320"  
**RoHS Compliant:** Yes

## PROCESSING

**Lead-Free Solderable:** Yes  
**SMT Lead Coplanarity:** (0.10 mm) .004" max (05-40) (0.15 mm) .006" max (50-70)\*  
 \*(.004" stencil solution may be available; contact IPG@samtec.com)

## RECOGNITIONS

For complete scope of recognitions see [www.samtec.com/quality](http://www.samtec.com/quality)



**MEC1** - **1** POSITIONS PER ROW - **CARD SLOT** - **PLATING OPTION** - **D** - **RA1** - **NP** - **SL**

Mates with:  
 (1.60 mm)  
 .062" card

05, 08, 20, 30,  
 40, 50, 60, 70

-02  
 = (1.60 mm)  
 .062" thick card

-F  
 = Gold flash on contact,  
 Matte Tin on tail

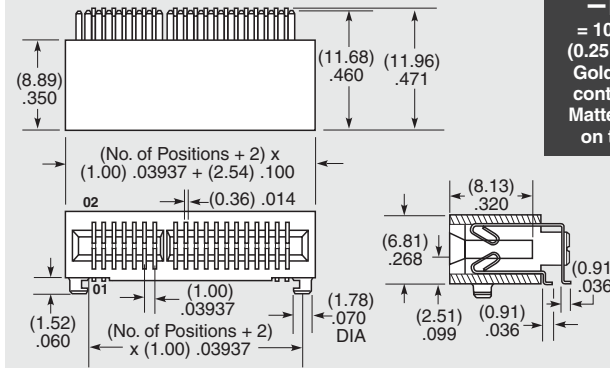
-L  
 = 10 μ" (0.25 μm)  
 Gold on contact,  
 Matte Tin on tail

| POSITIONS PER ROW | POLARIZED POSITIONS |
|-------------------|---------------------|
| 05                | 3, 4                |
| 08                | 5, 6                |
| 20                | 15, 16              |
| 30                | 21, 22              |
| 40                | 31, 32              |
| 50                | 41, 42              |
| 60                | 31, 32, 63 & 64     |
| 70                | 53, 54, 115 & 116   |

-NP  
 = No Polarization  
 (8 positions only)  
 Leave Blank for polarization

**ALSO AVAILABLE (MOQ Required)**

- Elevated body height
- Other platings



Note: Some sizes, styles and options are non-standard, non-returnable.

## HIGH-SPEED CHANNEL PERFORMANCE

MEC1-RA

Rating based on Samtec reference channel. For full SI performance data visit [Samtec.com](http://Samtec.com) or contact SIG@samtec.com

14  
 G b p s

## APPLICATION

Samtec recommends that pads on the mating board be Gold plated.

## SPECIFICATIONS

For complete specifications and recommended PCB layouts see [www.samtec.com?MEC1-EM](http://www.samtec.com?MEC1-EM)

**Insulator Material:** Black LCP  
**Contact Material:** Phosphor Bronze  
**Plating:** Au or Sn over 50 μ" (1.27 μm) Ni  
**Current Rating:** 1.8 A per pin (2 adjacent pins powered)  
**Operating Temp Range:** -55 °C to +125 °C  
**Insertion Depth:** (5.84 mm) .230" to (8.13 mm) .320"  
**RoHS Compliant:** Yes

**Lead-Free Solderable:** Yes

## RECOGNITIONS

For complete scope of recognitions see [www.samtec.com/quality](http://www.samtec.com/quality)



**MEC1** - **1** POSITIONS PER ROW - **02** - **PLATING OPTION** - **D** - **EM2** - **NP**

Mates with:  
 (1.60 mm)  
 .062" card

05, 08, 20, 30,  
 40, 50, 60, 70

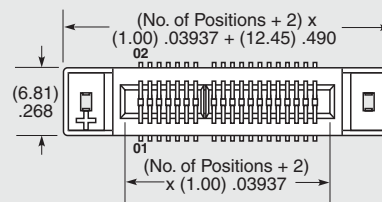
-F  
 = Gold flash on contact,  
 Matte Tin on tail

-L  
 = 10 μ" (0.25 μm) Gold on contact,  
 Matte Tin on tail

-NP  
 = No Polarization  
 (8 positions only)  
 Leave Blank for polarization

**ALSO AVAILABLE (MOQ Required)**

- Edge mount leads for (0.80 mm) .031" thick board
- Other platings



Note: Some sizes, styles and options are non-standard, non-returnable.

Note: While optimized for 50 Ω applications, this connector with alternative signal/ground patterns may also perform well in certain 75 Ω applications.

| POSITIONS PER ROW | POLARIZED POSITIONS |
|-------------------|---------------------|
| 05                | 3, 4                |
| 08                | 5, 6                |
| 20                | 15, 16              |
| 30                | 21, 22              |
| 40                | 31, 32              |
| 50                | 41, 42              |
| 60                | 31, 32, 63 & 64     |
| 70                | 53, 54, 115 & 116   |

Due to technical progress, all designs, specifications and components are subject to change without notice.

[WWW.SAMTEC.COM](http://WWW.SAMTEC.COM)

All parts within this catalog are built to Samtec's specifications. Customer specific requirements must be approved by Samtec and identified in a Samtec customer-specific drawing to apply.

## X-ON Electronics

Largest Supplier of Electrical and Electronic Components

*Click to view similar products for [PCI Express/PCI Connectors](#) category:*

*Click to view products by [Samtec](#) manufacturer:*

Other Similar products are found below :

[UEX220-6U](#) [0877159203](#) [10039755-10110TLF](#) [10039755-10211TLF](#) [10025026-10003PLF](#) [10125756-A41010LF](#) [10125756-980000LF](#) [1-1871239-2](#) [2170560-2](#) [10082378-11003TLF](#) [10125756-980000LF](#) [1775861-2](#) [10039755-10111TLF](#) [EB220-3U](#) [WD2M144WB2R300](#) [10061913-120PLF](#) [10108777-10002WLF](#) [GPCP146400111HR](#) [10144667-112Y0LF](#) [10144667-113Y0LF](#) [205058-1001](#) [GPCP446200120HR](#) [GPCP245400111HR](#) [10082378-10000TLF](#) [10082378-10001TLF](#) [87715-9256](#) [MDT580M03001](#) [0877159107](#) [205058-1003](#) [MDT580M01001](#) [10018783-11000MLF](#) [10061913-103BLF](#) [10145445-10003MLF](#) [PSASF2130311TR](#) [10147430-113T0LF](#) [10146070-113Y0LF](#) [MDT670M01005](#) [10108777-10200MLF](#) [MDT420M01002](#) [PSASF3130211TR](#) [PSASF4130051TR](#) [PSASM2130412TR](#) [PSASM2130391TR](#) [10139595-111T0LF](#) [10139595-110T0LF](#) [PSASF3130131TR](#) [0745400501](#) [7-1734774-7](#) [10150900-052R2LF](#) [3-1761465-1](#)