

**MEC8-DV SERIES**

**(0.80 mm) .0315"**

# VERTICAL MICRO EDGE CARD SOCKET

## SPECIFICATIONS

For complete specifications and recommended PCB layouts see [www.samtec.com?MEC8-DV](http://www.samtec.com?MEC8-DV)

**Insulator Material:**

Black LCP

**Contact Material:**

Phosphor Bronze

**Plating:**

Au or Sn over 50 μ" (1.27 μm) Ni

**Operating Temp Range:**

-55 °C to +125 °C

**Insertion Depth:**

(4.22 mm) .166" to (5.66 mm) .223"

**Current Rating:**

1.8 A per pin (4 adjacent pins powered)

**Voltage Rating:**

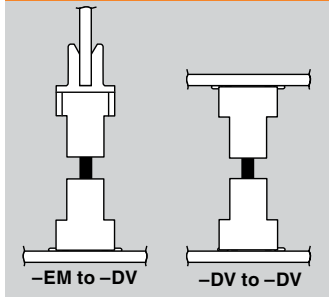
185 VAC

**RoHS Compliant:**

Yes

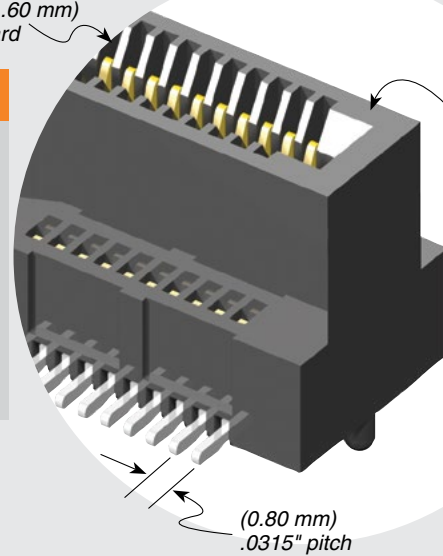
**Mates with:**  
(1.60 mm) .062" thick card

## APPLICATIONS



Mates with (1.60 mm) .062" thick card

Variety of lead counts



(0.80 mm) .0315" pitch

## HIGH-SPEED CHANNEL PERFORMANCE

MEC8-DV

Rating based on Samtec reference channel. For full SI performance data visit [Samtec.com](http://Samtec.com) or contact [SIG@samtec.com](mailto:SIG@samtec.com)

**25**  
Gbps

## PROCESSING

**Lead-Free Solderable:**

Yes

**SMT Lead Coplanarity:**

(0.10 mm) .004" max (10-50)

(0.15 mm) .006" max (60-70)\*

\*(.004" stencil solution may be available; contact [IPG@samtec.com](mailto:IPG@samtec.com))

## RECOGNITIONS

For complete scope of recognitions see [www.samtec.com/quality](http://www.samtec.com/quality)



FILE NO. E111594

## ALSO AVAILABLE (MOQ Required)

- 1 mm mating card thickness option
- Locking clip (Manual placement required)

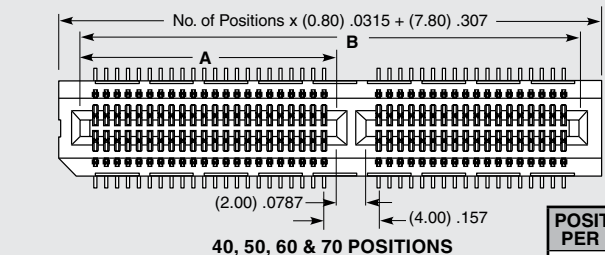
**MEC8** - **1** POSITIONS PER ROW - **02** - **PLATING OPTION** - **DV** - **OTHER OPTION**

**10, 20, 30, 40, 50, 60, 70**

**-L**

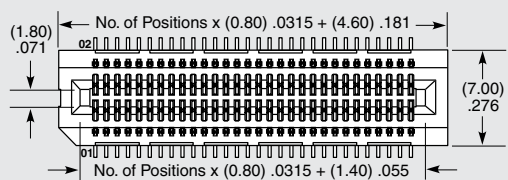
= 10 μ" (0.25 μm) Gold on contact, Matte Tin on tail

- A** = Alignment Pin
- K** = (5.50 mm) .217" DIA Polyimide Pick & Place Pad
- TR** = Tape & Reel

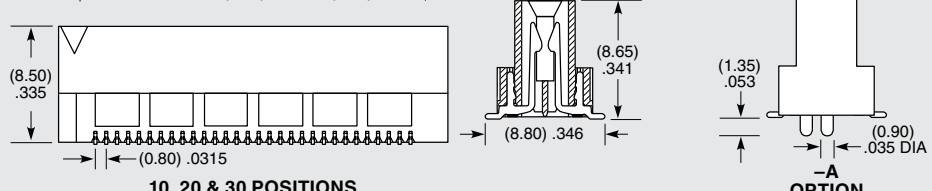


40, 50, 60 & 70 POSITIONS

POSITIONS PER ROW	A	B
40	(18.90) .744	(36.60) 1.441
50	(22.90) .902	(44.60) 1.756
60	(26.90) 1.059	(52.60) 2.071
70	(30.90) 1.217	(60.60) 2.386



10, 20 & 30 POSITIONS



**-A OPTION**

### OTHER SOLUTIONS

- Right-angle
- Edge Mount
- See [samtec.com?MEC8-RA](http://samtec.com?MEC8-RA) or [samtec.com?MEC8-EM](http://samtec.com?MEC8-EM)

**Notes:**  
While optimized for 50 Ω applications, this connector with alternative signal/ground patterns may also perform well in certain 75 Ω applications. Some sizes, styles and options are non-standard, non-returnable.

Due to technical progress, all designs, specifications and components are subject to change without notice.

[WWW.SAMTEC.COM](http://WWW.SAMTEC.COM)

All parts within this catalog are built to Samtec's specifications. Customer specific requirements must be approved by Samtec and identified in a Samtec customer-specific drawing to apply.

## X-ON Electronics

Largest Supplier of Electrical and Electronic Components

*Click to view similar products for [Standard Card Edge Connectors](#) category:*

*Click to view products by [Samtec](#) manufacturer:*

Other Similar products are found below :

[6565204-6](#) [PKC-156](#) [1437274-4](#) [147889-1](#) [1489165-4](#) [EBT156-12B1X](#) [EBT15622B2X](#) [EBT156-22R2W](#) [1-582587-1](#) [1-582589-1](#) [2-6437275-9](#) [284-0102-12100](#) [306022901000000](#) [307-012-502-202](#) [307-024-526-201](#) [307-056-520-300](#) [307-080-526-208](#) [245-062-520-350](#) [287-0032-12101](#) [306-010-500-112](#) [306-028-525-102](#) [306-240-318](#) [307-036-502-202](#) [307-036-521-301](#) [307-072-526-202](#) [345-060-559-303](#) [368-004-520-201](#) [392-008-559-201](#) [534671-1](#) [5-530501-5](#) [341-240-317](#) [345-029-520-300](#) [345-030-500-301](#) [345-044-500-300](#) [345-220-058](#) [346-240-318](#) [357-030-526-201](#) [387-012-523-300](#) [395-044-520-300](#) [395-100-524-300](#) [50-12B-10](#) [50-6SN-5](#) [09-07-2032](#) [10035388-106LF](#) [10035388-802LF](#) [10122859-009LF](#) [10127905-B04B24BLF](#) [530555-1](#) [EBT156-15A2X](#) [2007209-1](#)