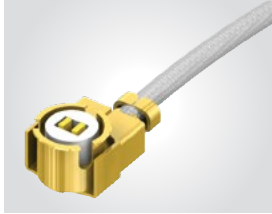


50 Ω MICRO HIGH FREQUENCY RF CABLES TO 6 GHz

MHF Cable Assemblies MH081, MH113



SPECIFICATIONS

Outer Contact Material:
Au plated Phosphor Bronze
Center Contact Material:
Au plated Phosphor Bronze (MHX)
Au plated BeCu (SMA)
Insulator Material:
PBT (MHX)
PTFE (SMA)
Operating Temperature:
-40 °C to +90 °C
Voltage Rating:
170 V max
Dielectric Withstanding Voltage:
200 Vrms

0.81 mm Cable:

Capacitance:
100 pF/meter
Max Attenuation (cable only):
3.1 dB @ 1 GHz
Conductor Size:
36 AWG, (0.81 mm) .032" dia.
Conductor Material:
Silver Plated Copper
Conductor Resistance:
1.40 Ωv/meter max
Insulator Diameter:
(0.4 mm) .016"
Insulator Material: FEP
Shield Material:
Silver Plated Copper
Jacket Material: PFA
Jacket Diameter:
(0.81 mm) .032" dia.
Bend Radius: 5.0 mm
Jacket Temp Rating:
-40 °C to +90 °C

1.13 mm Cable:

Capacitance:
95 pF/meter
Max Attenuation (cable only):
2 dB @ 1 GHz
Conductor Size:
32 AWG, (1.13 mm) .045" dia.
Conductor Material:
Silver Plated Copper
Conductor Resistance:
0.60 Ωv/meter max
Insulator Diameter:
(0.66 mm) .026"
Insulator Material:
FEP
Shield Material:
Tinned Copper
Jacket Material:
FEP
Jacket Diameter:
(1.13 mm) .045" dia
Bend Radius:
6.8 mm
Jacket Temp Rating:
-40 °C to +90 °C

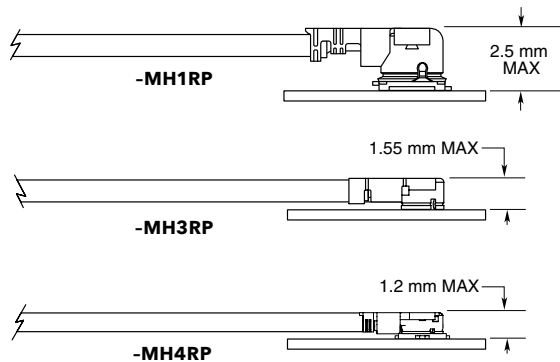
SERIES	END 1 CONNECTOR	END 2 CONNECTOR	OVERALL LENGTH
--------	-----------------	-----------------	----------------

MH081
= 0.81 mm Cable
MH113
= 1.13 mm Cable

Specify END OPTIONS from chart

-0030
= 1.18" (30 mm)
-0050
= 1.97" (50 mm)
-0100
= 3.94" (100 mm)
-0150
= 5.91" (150 mm)
-0300
= 11.81" (300 mm)

APPLICATION



EXTRACTION TOOLS

MH1RP = RSP-122893-01
MH3RP = RSP-122893-02
MH4RP = RSP-122893-03

MATING SOLUTIONS

MH1RP end mates with RSP-122811-01 (Cycles: 30 max.)

MH3RP end mates with RSP-122811-02

MH4RP end mates with RSP-122811-03



END OPTIONS

<p>-MH1RP = MHF1 Type Plug (3.9 μ" (0.1 μm) Gold on Center Contact, 1.9 μ" (0.05 μm) Gold on Shell)</p>	
<p>-MH3RP = MHF3 Type Plug (3.9 μ" (0.1 μm) Gold on Center Contact, 1.9 μ" (0.05 μm) Gold on Shell) (MH081 only)</p>	
<p>-MH4RP = MHF4 Type Plug (10 μ" (0.25 μm) Gold on Center Contact, 1.9 μ" (0.05 μm) Gold on Shell) (MH4RP is not available with MH1RP & MH3RP) (MH081 only)</p>	
<p>-01BJ1 = SMA Straight Bulkhead Jack (MH081 only) -01BJ2 = SMA Straight Bulkhead Jack, Reversed Polarity -01SB1 = SMA Straight Jack, Sealed Bulkhead -01SR1 = SMA Straight Jack, Sealed Bulkhead, Reversed Polarity (30 μ" (0.76 μm) Gold on Center Contact, Gold Flash on Shell)</p>	
<p>-SING = Single Ended (End 2 callout)</p>	
<p>XXXXXX = Stripped & Tinned (End 2 callout)</p>	

STRIPPED & TINNED (Dimensions in mm)

CALLOUT	A	B	C
-303030	3.0	3.0	3.0
-303040	3.0	3.0	4.0
-403030	4.0	3.0	3.0
-403040	4.0	3.0	4.0
-404040	4.0	4.0	4.0

Both center conductor and braid shield are stripped, only the centerconductor is tinned.

X-ON Electronics

Largest Supplier of Electrical and Electronic Components

Click to view similar products for [RF Cable Assemblies](#) category:

Click to view products by [Samtec](#) manufacturer:

Other Similar products are found below :

[73-6352-10](#) [73-6353-3](#) [R285001001](#) [R288940004](#) [145111-05-12.00](#) [1661-C-24](#) [1801171170914KE](#) [24P104C24J1-012](#) [24P104C24P1-006](#)
[24P104C24P1-018](#) [24P204C24J1-003](#) [172-2150-EX](#) [1800920920914PJ](#) [FCB-3030-ALT](#) [21117-046](#) [21117-050](#) [PCX-24-50](#) [24P103C24P2-](#)
[003](#) [25P203C25P2-003](#) [R284008001](#) [R285001021](#) [R285426000](#) [R288940003](#) [4814-BB-24](#) [5260-72](#) [JT2N1-CL1-1F](#) [DLP-COAX1](#) [4814-K-](#)
[48](#) [115101-09-06.00](#) [CCNTN2-MM-LL335-26](#) [73-6351-25](#) [73-6352-3](#) [73-6353-25](#) [1800920920610PJ](#) [GD0BQ0BQ024.0](#) [1-3636-600-5210](#)
[TL8A-11SMA-11SMA-01500-51](#) [R284C0351060](#) [R288940009](#) [R284C0351028](#) [R288940002](#) [9702-1SL-1](#) [PT82NSMA](#) [73-6353-10](#)
[R285020301W](#) [PCX-18-50](#) [Minibend-9](#) [Minibend-4](#) [BNC TO SMA Cable](#) [MIKROE-274](#)